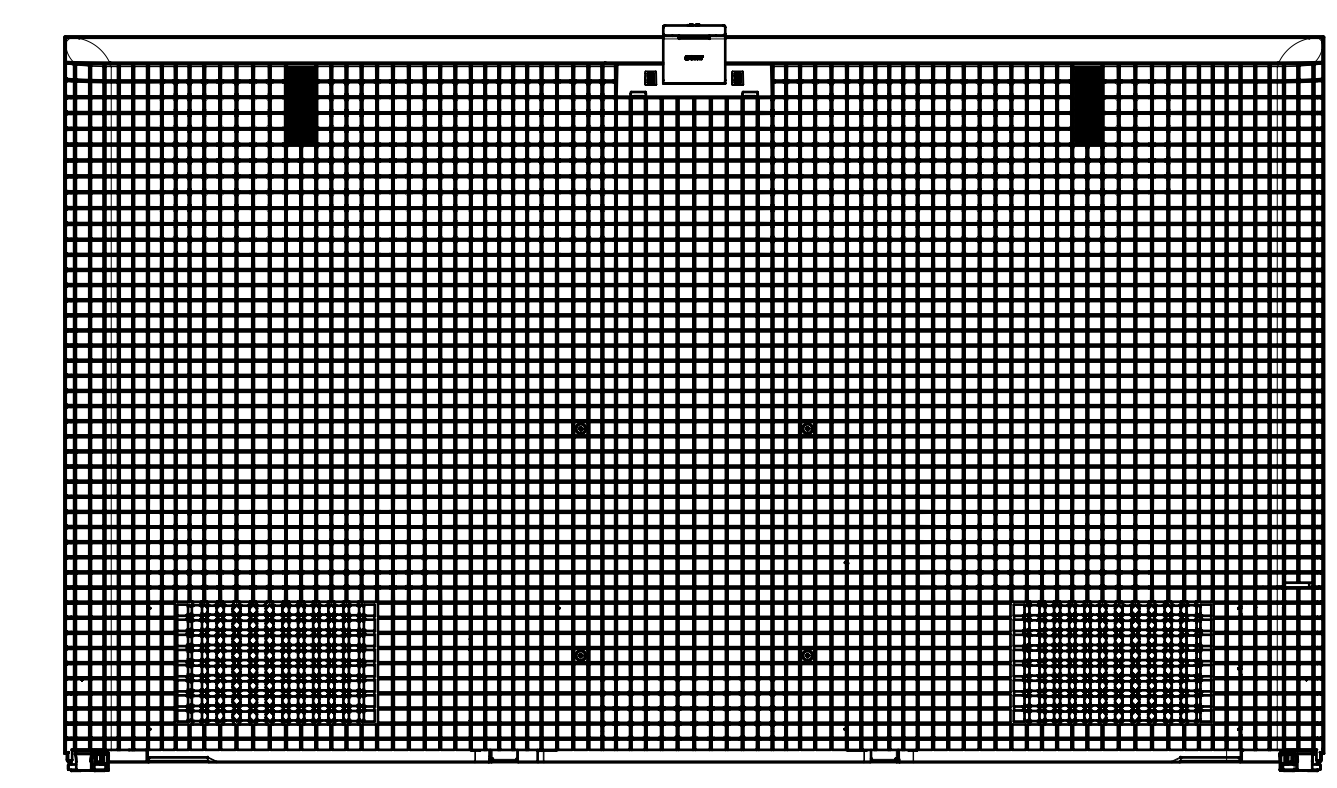
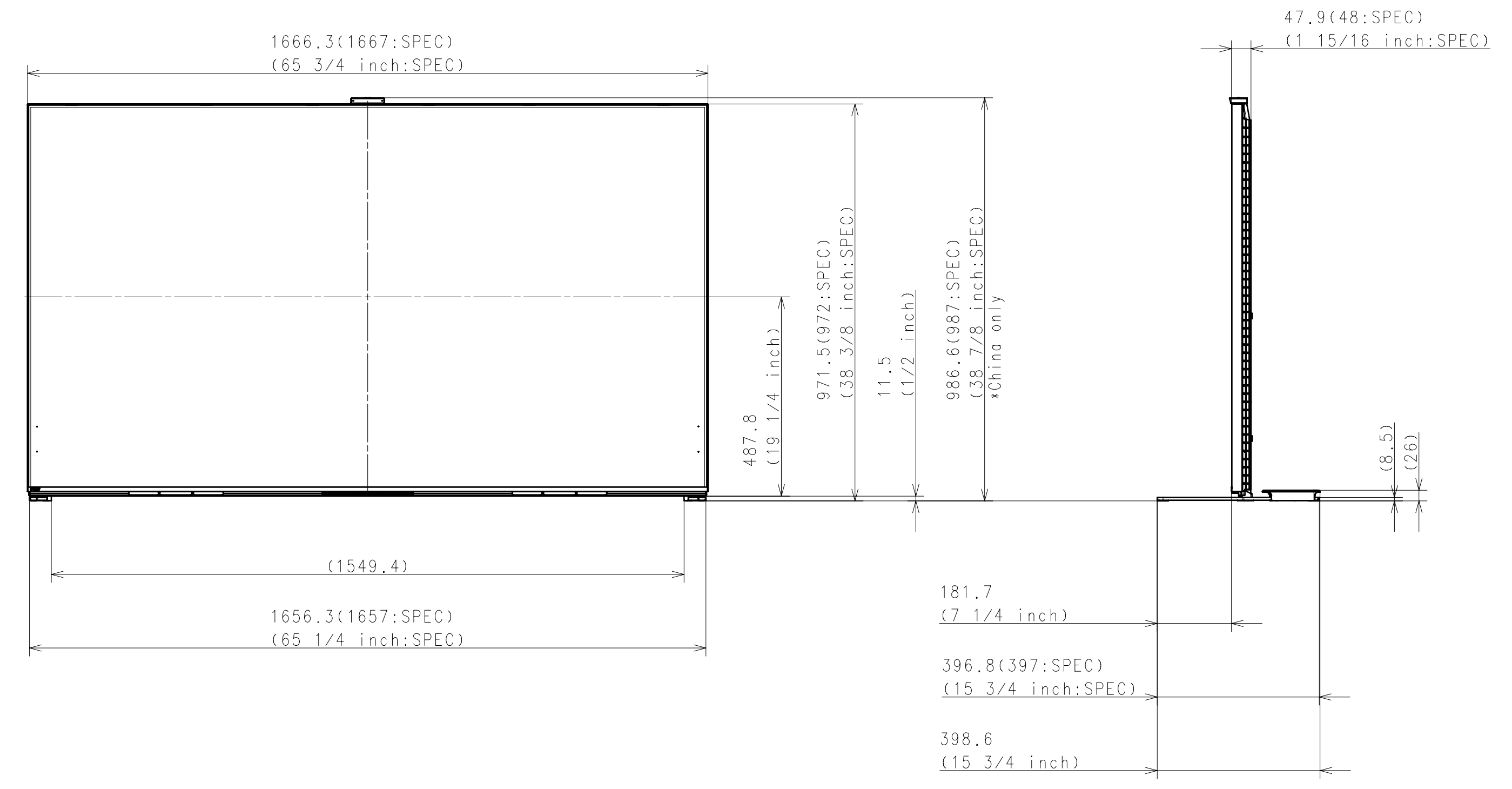
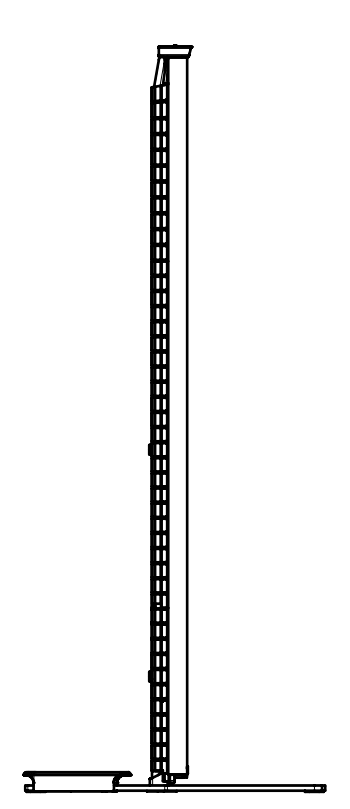
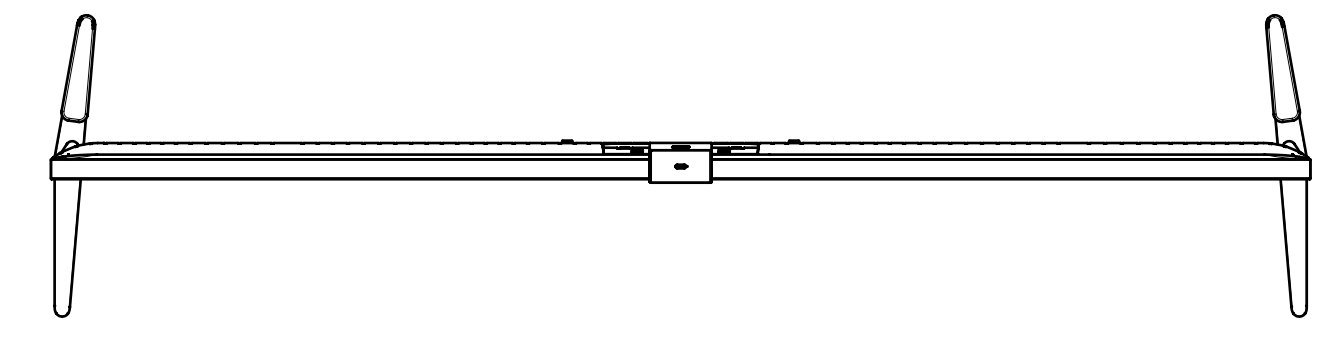


Area	JAPAN	NORTH AMERICA	EUROPE	GENERAL AREA + IN5 stand models	CHINA	IN5 Stand-less
Model Name	K-75XR90	K-75XR90	K-75XR90	K-75XR90	K-75XR90	K-75XR90
SV No.	SV-42137	SV-42115	SV-42132	SV-42200	SV-42221	SV-42154
DIMENSION	TV only (W x H x D)	166.7 x 96.0 x 4.8 (3.26) cm	1667 x 960 x 48 (32.6) mm / 65 3/4 x 37 7/8 x 1 15/16 (1 5/16) inch	Approx. 166.7 x 96.0 x 4.8 (3.26) cm	Approx. 166.7 x 96.0 x 48 (32.6) mm	Approx. 166.7 x 96.0 x 48 (32.6) mm
	TV only with camera (W x H x D)	-	-	-	-	-
	TV with Stand (Outside) (W x H x D)	166.7 x 97.2 x 39.7 cm	1667 x 972 x 397 mm / 65 3/4 x 38 3/8 x 15 3/4 inch	Approx. 166.7 x 97.2 x 39.7 cm	Approx. 1667 x 972 x 397 mm	Approx. 1667 x 972 x 397 mm
	TV with Stand (Inside) (W x H x D)	166.7 x 97.2 x 39.7 cm	1667 x 972 x 397 mm / 65 3/4 x 38 3/8 x 15 3/4 inch	Approx. 166.7 x 97.2 x 39.7 cm	Approx. 1667 x 972 x 397 mm	Approx. 1667 x 972 x 397 mm
	TV with Stand (Outside for Soundbar) (W x H x D)	166.7 x 103.4 x 39.7 cm	1667 x 1034 x 397 mm / 65 3/4 x 40 3/4 x 15 3/4 inch	Approx. 166.7 x 103.4 x 39.7 cm	Approx. 1667 x 1034 x 397 mm	Approx. 1667 x 1034 x 397 mm
	TV with Stand (Inside for Soundbar) (W x H x D)	166.7 x 103.4 x 39.7 cm	1667 x 1034 x 397 mm / 65 3/4 x 40 3/4 x 15 3/4 inch	Approx. 166.7 x 103.4 x 39.7 cm	Approx. 1667 x 1034 x 397 mm	Approx. 1667 x 1034 x 397 mm
	TV with Stand (Front position style) (W x H x D)	-	-	-	-	-
	TV with Stand (Back position style) (W x H x D)	-	-	-	-	-
	TV with Floor Stand (W x H x D)	-	-	-	-	-
	Stand Width (Outside)	165.7 cm	1657 mm / 65 1/4 inch	Approx. 165.7 cm	Approx. 1657 mm	Approx. 1657 mm
	Stand Width (Inside)	54.3 cm	543 mm / 21 1/2 inch	Approx. 54.3 cm	Approx. 543 mm	Approx. 543 mm
	Stand Width (Outside for Soundbar)	165.7 cm	1657 mm / 65 1/4 inch	Approx. 165.7 cm	Approx. 1657 mm	Approx. 1657 mm
	Stand Width (Inside for Soundbar)	54.3 cm	543 mm / 21 1/2 inch	Approx. 54.3 cm	Approx. 543 mm	Approx. 543 mm
	Stand Width (Front position style)	-	-	-	-	-
	Stand Width (Back position style)	-	-	-	-	-
	Floor Stand Width	-	-	-	-	-
	VESA Hole Pitch	30.0 x 30.0 cm	300 x 300 mm / 11 7/8 x 11 7/8 inch	30.0 x 30.0 cm	300 x 300 mm	300 x 300 mm
WEIGHT	TV Only	42.3 kg	42.3 kg / 93.2 lb	Approx. 42.3 kg	Approx. 42.3 kg	Approx. 42.3 kg
	TV with Stand (Outside)	45 kg	45 kg / 99.2 lb	Approx. 45 kg	Approx. 45 kg	Approx. 45.1 kg
	TV with Stand (Inside)	45 kg	45 kg / 99.2 lb	Approx. 45 kg	Approx. 45 kg	Approx. 45.1 kg
	TV with Stand (Outside for Soundbar)	45 kg	45 kg / 99.2 lb	Approx. 45 kg	Approx. 45 kg	Approx. 45.1 kg
	TV with Stand (Inside for Soundbar)	45 kg	45 kg / 99.2 lb	Approx. 45 kg	Approx. 45 kg	Approx. 45.1 kg
	TV with Stand (Front/Back position style)	-	-	-	-	-
	TV with Floor Stand	-	-	-	-	-
	Floor Stand weight (Supply)	-	-	-	-	-
	W-M't Br. Weight (Supply)	-	-	-	-	-
Remarks	4way	4way	4way	4way	4way	4way

TV WITH STAND (OUTSIDE)

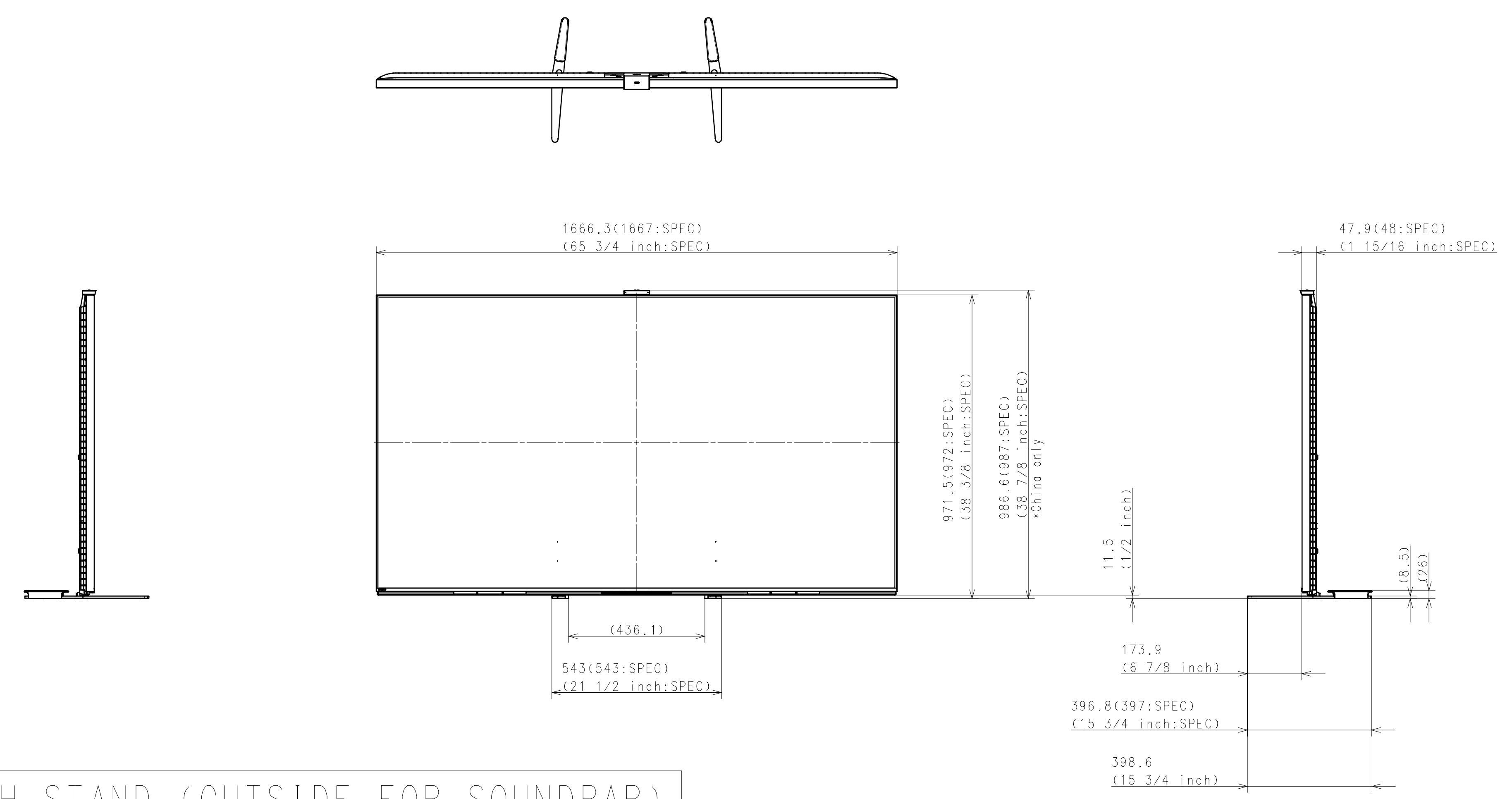


Purchase recycled resins and wire rods only from the business partners that Sony approves as Green Partners.
再生樹脂・銅線はグリーンパートナー認定受注先から購入してください。

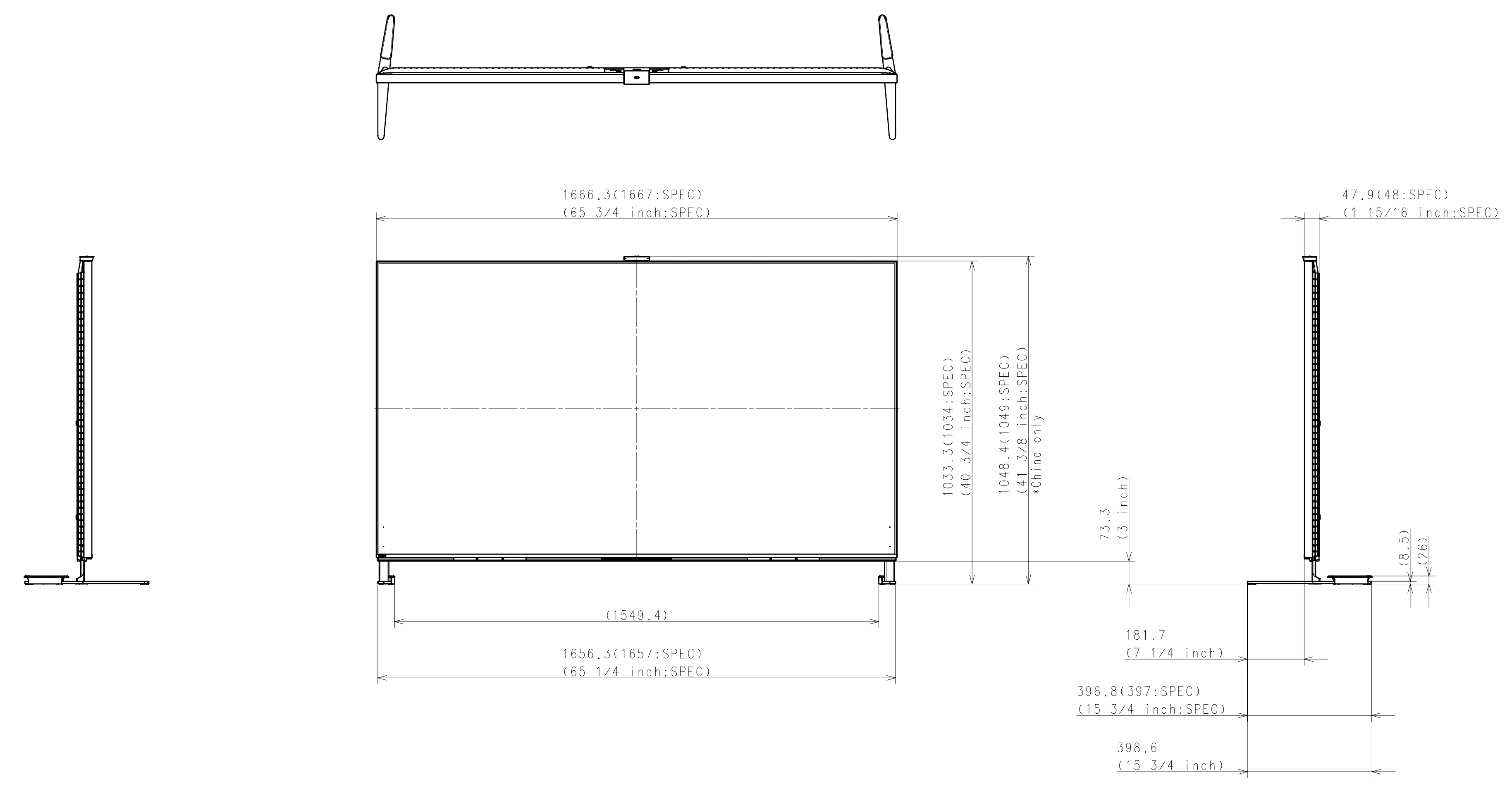
DATE OF ISSUE 2024.01.16	DOCUMENT TYPE PART
TOLERANCING JIS B 0014 (ISO 0015)	DRAWING
MATERIAL COLOR	FINISH COLOR

RESPONSIBLE DEPARTMENT P1C_MD div1 MD dept1	ORIGINAL MODEL 75(XR90)	DESCRIPTION EXTERIOR VIEW
PLANNED BY Chiharu Fujiwara	CHECKED BY	TENTATIVE MODEL 75(XR90) EXTERIOR VIEW
DRAWN BY Chiharu Fujiwara	APPROVED BY	SCALE 1:10
		SIZE A1
		UNIT mm
		SHEET/PAGES 1/6

TV WITH STAND (INSIDE)

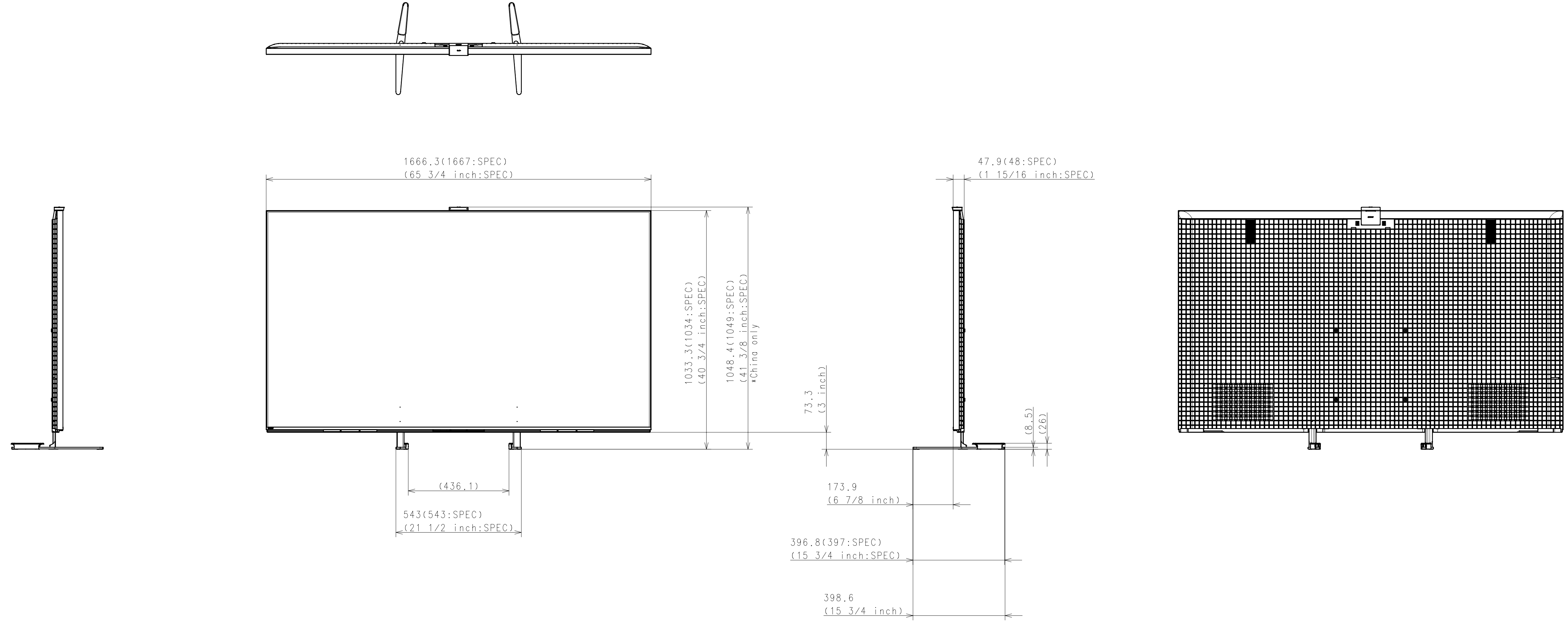


TV WITH STAND (OUTSIDE FOR SOUNDBAR)



DESCRIPTION 1	LEGAL OWNER	SCALE
75(XR90) EXTERIOR VIEW	Sony Corporation	1:10
DESCRIPTION 2	PART NO.	SHEET/PAGES
75(XR90) EXTERIOR VIEW		2 / 6

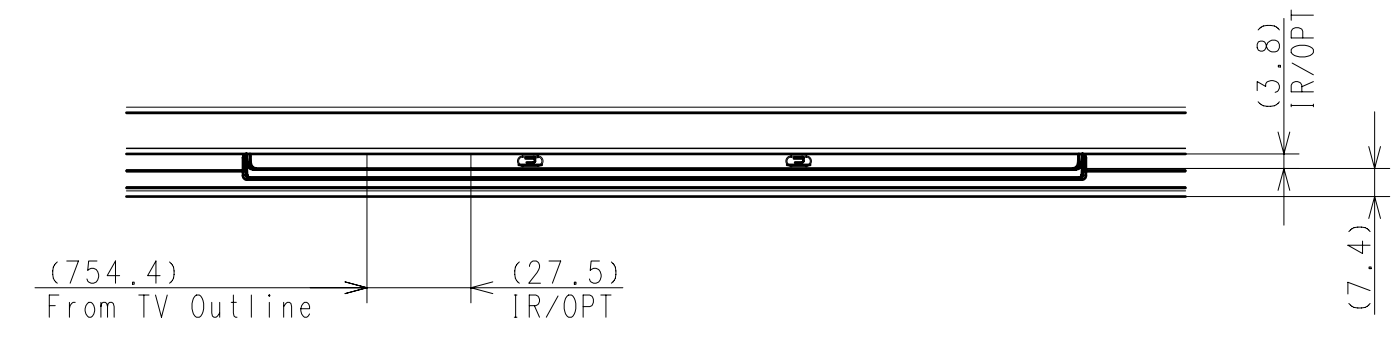
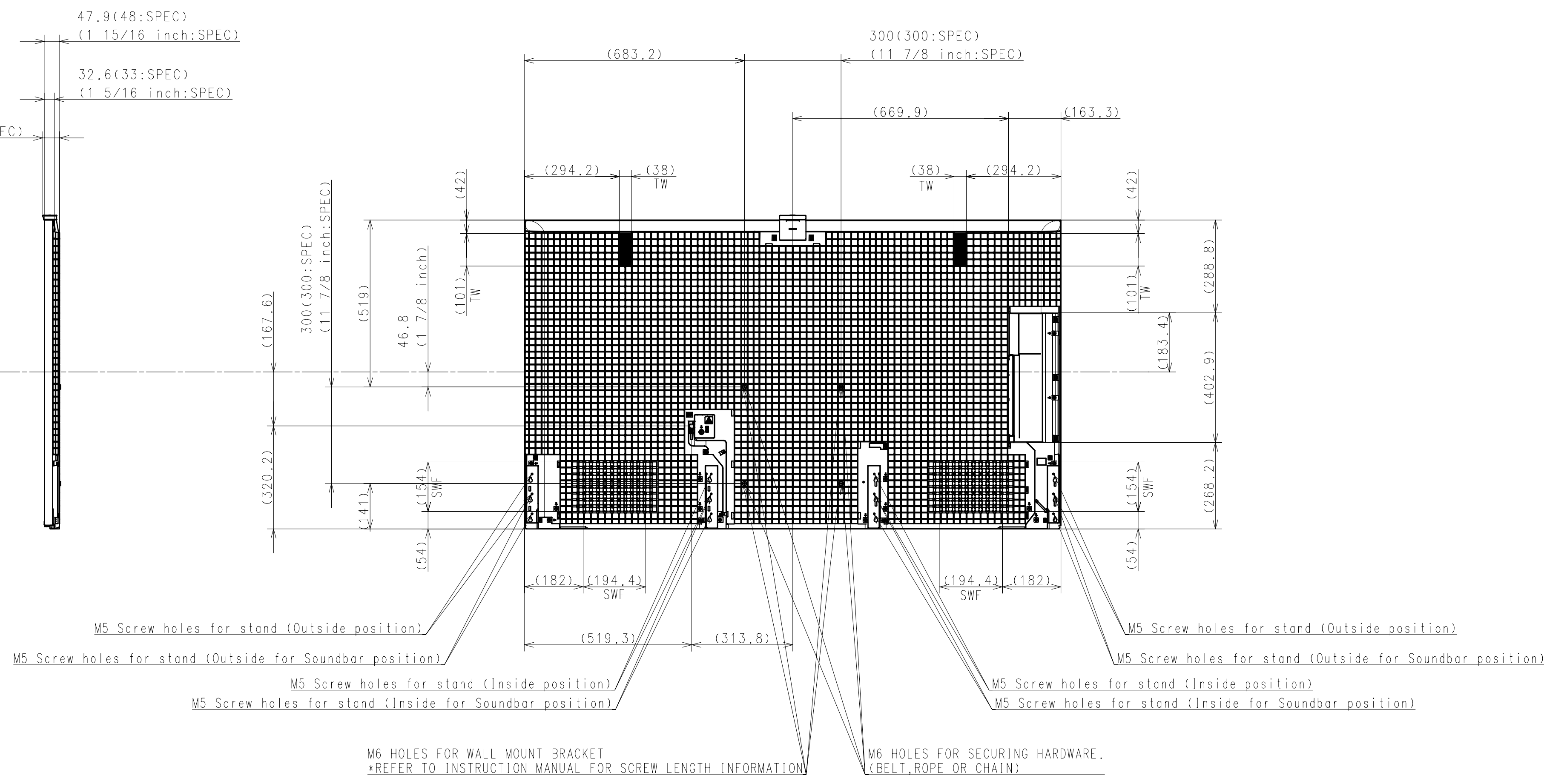
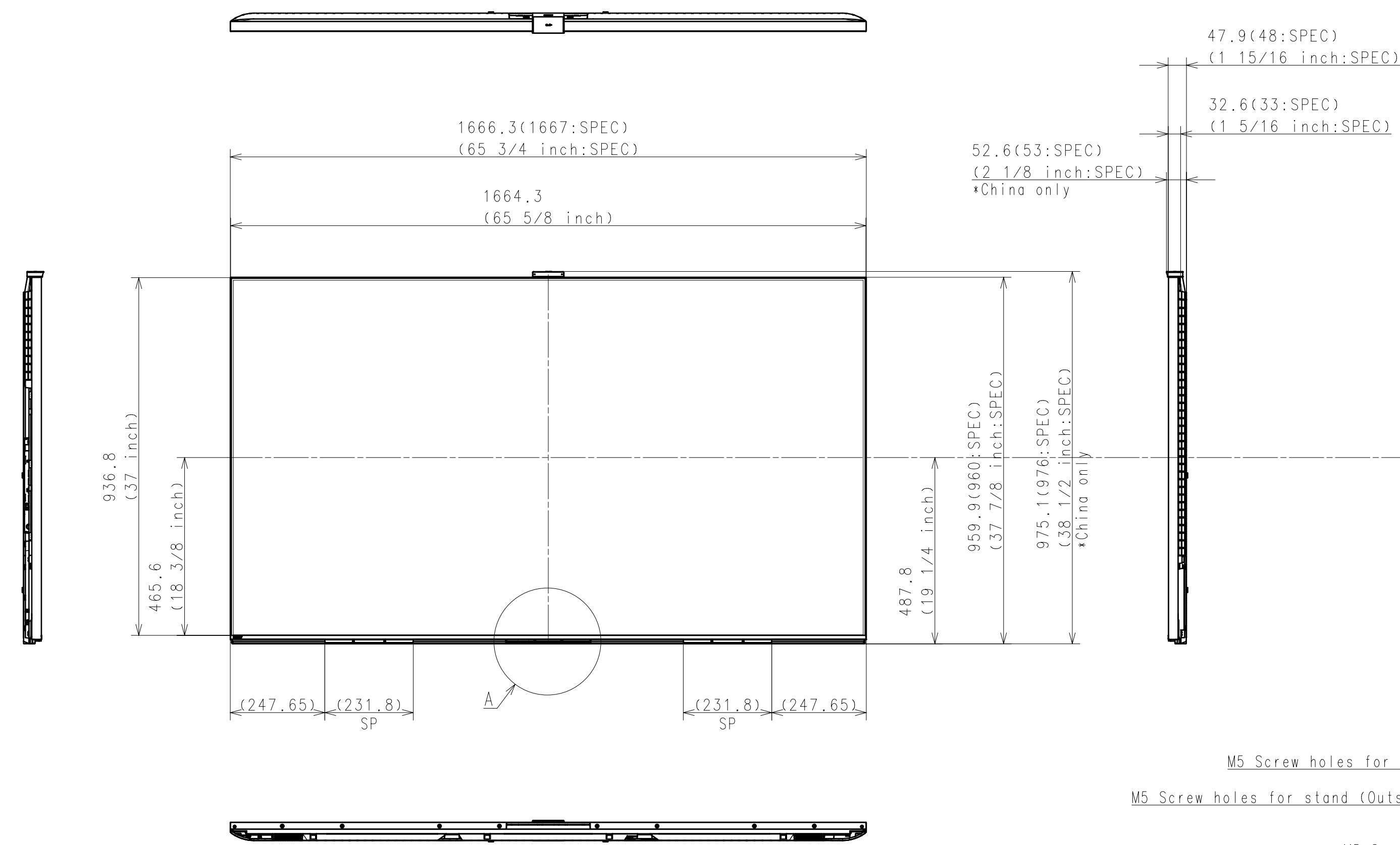
TV WITH STAND (INSIDE FOR SOUNDBAR)



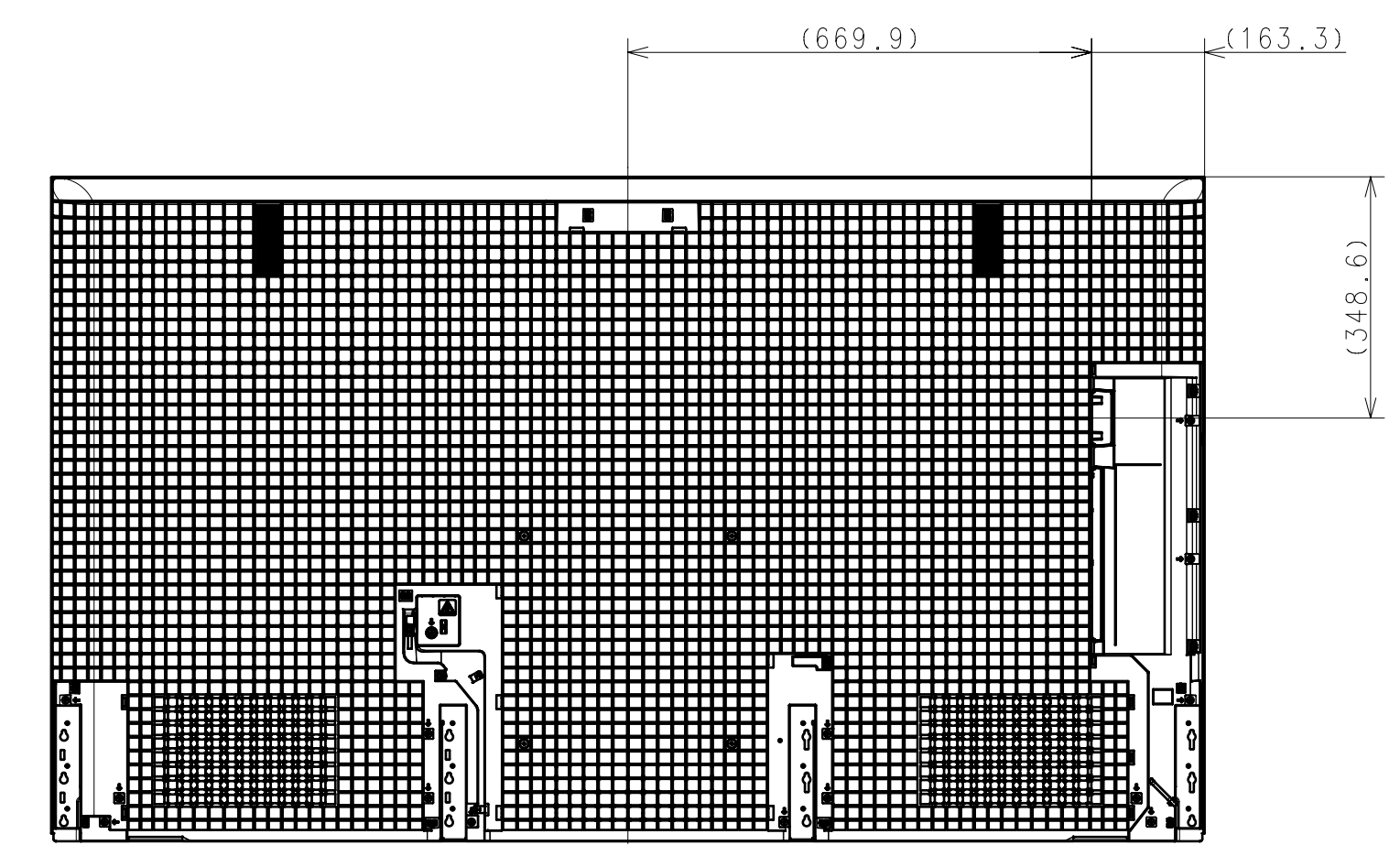
SONY STANDARD
DRAWING

DESCRIPTION 1	LEGAL OWNER	SCALE
75(XR90) EXTERIOR VIEW	Sony Corporation	1:10
DESCRIPTION 2	PART NO.	SHEET/PAGES
75(XR90) EXTERIOR VIEW		3/ 6

TV ONLY (WITHOUT STAND)



FOR EXCEPT EUROPE



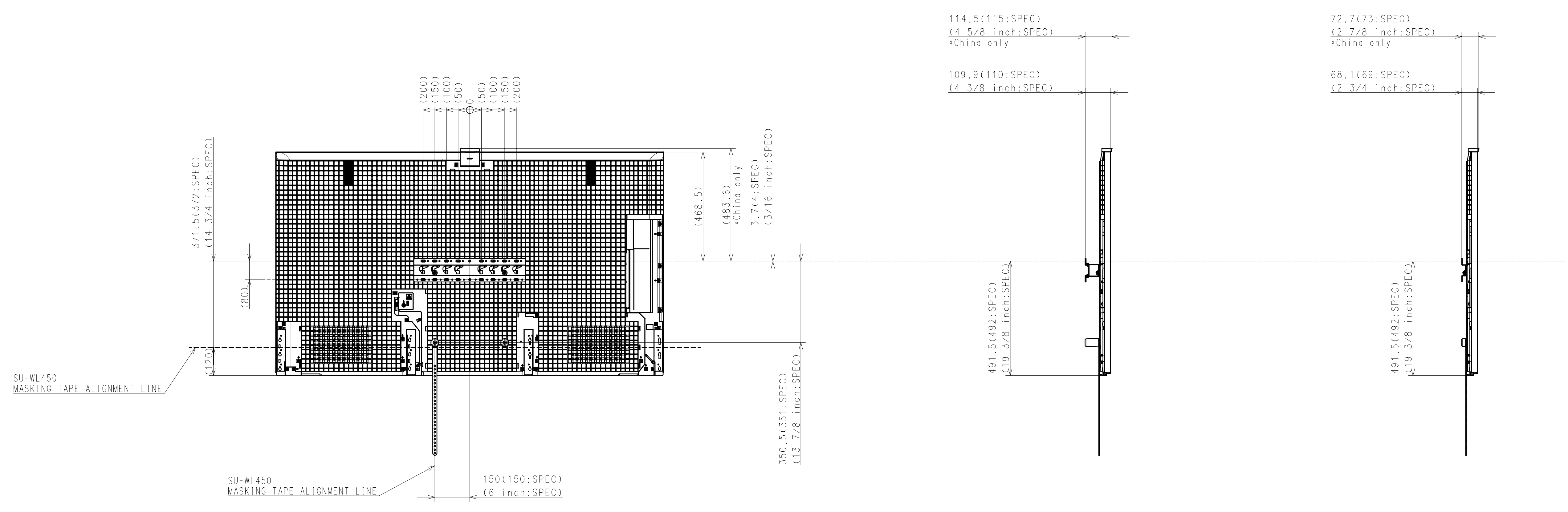
FOR EUROPE

DESCRIPTION	LEGAL OWNER	SCALE
75(XR90) EXTERIOR VIEW	Sony Corporation	1:10
75(XR90) EXTERIOR VIEW	PART NO.	SHEET/PAGES
		4 / 6

SU-WL450

STANDARD

SLIM



371.5(372:SPEC)
(14 3/4 inch:SPEC)

(80)

(120)

(200)
(150)
(100)
(50)

(468.5)

(483.6)
*China only

3.7(4:SPEC)
(3/16 inch:SPEC)

350.5(351:SPEC)
(13 7/8 inch:SPEC)

SU-WL450
MASKING TAPE ALIGNMENT LINE

150(150:SPEC)
(6 inch:SPEC)

114.5(115:SPEC)
(4 5/8 inch:SPEC)
*China only

109.9(110:SPEC)
(4 3/8 inch:SPEC)

491.5(492:SPEC)
(19 3/8 inch:SPEC)

72.7(73:SPEC)
(2 7/8 inch:SPEC)
*China only

68.1(69:SPEC)
(2 3/4 inch:SPEC)

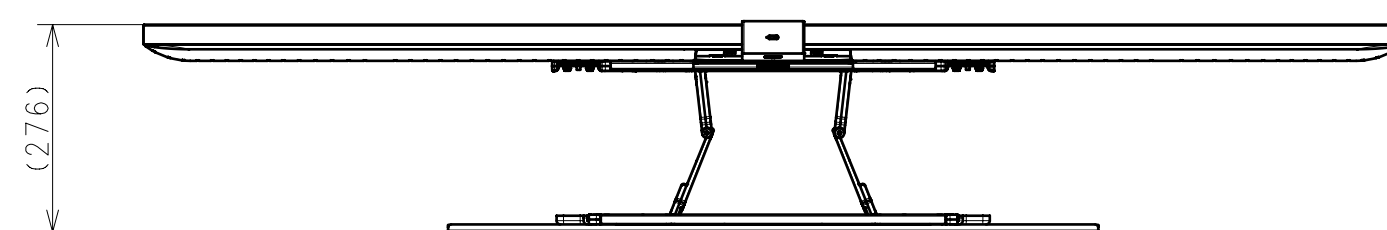
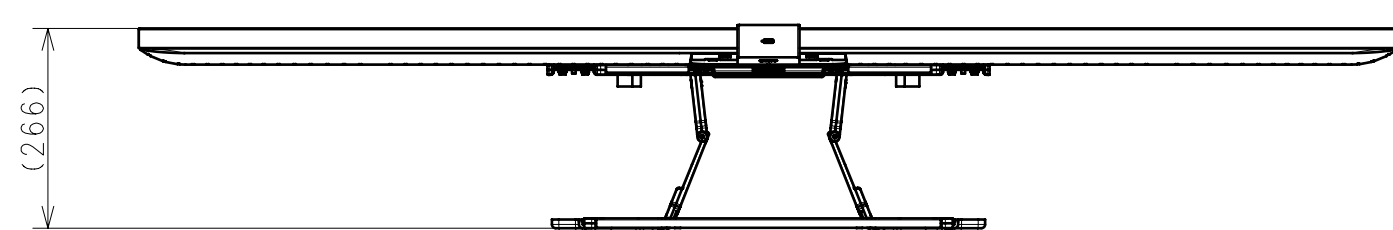
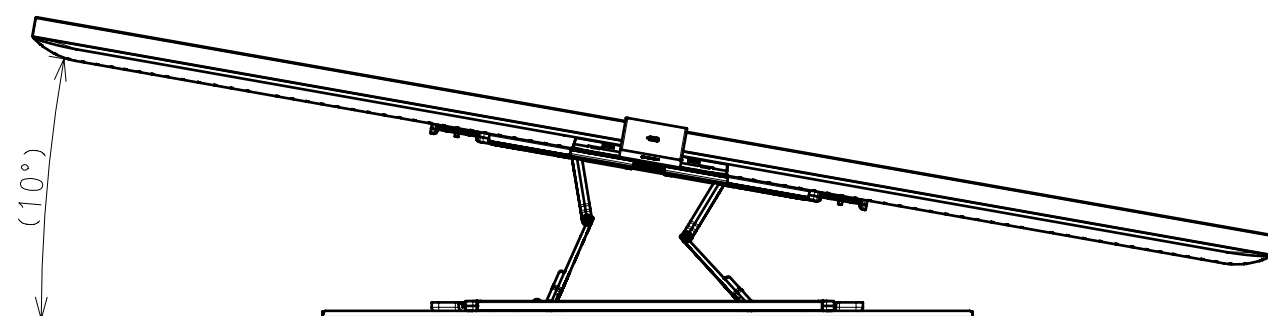
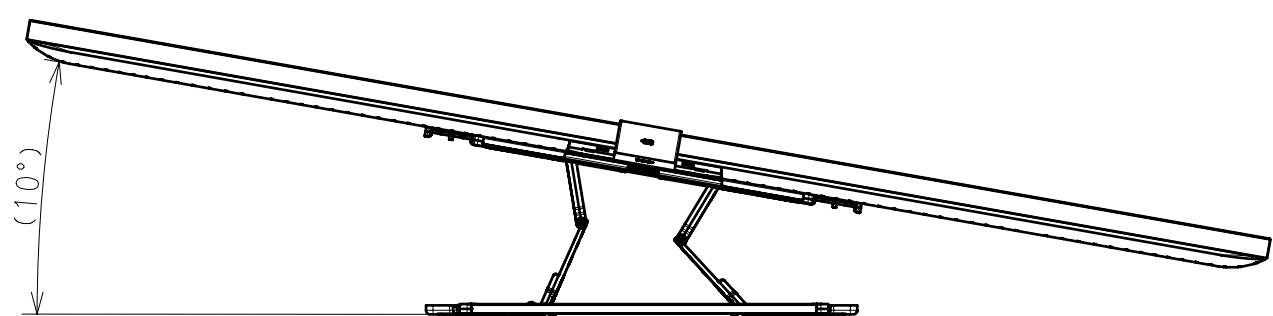
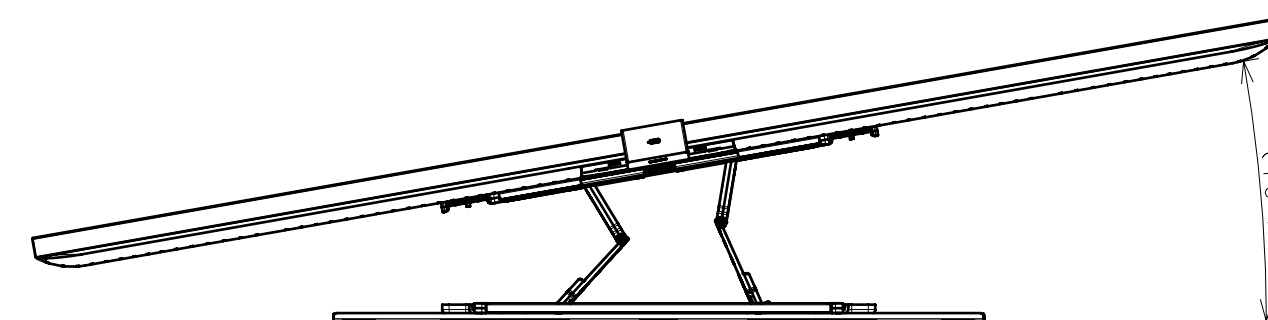
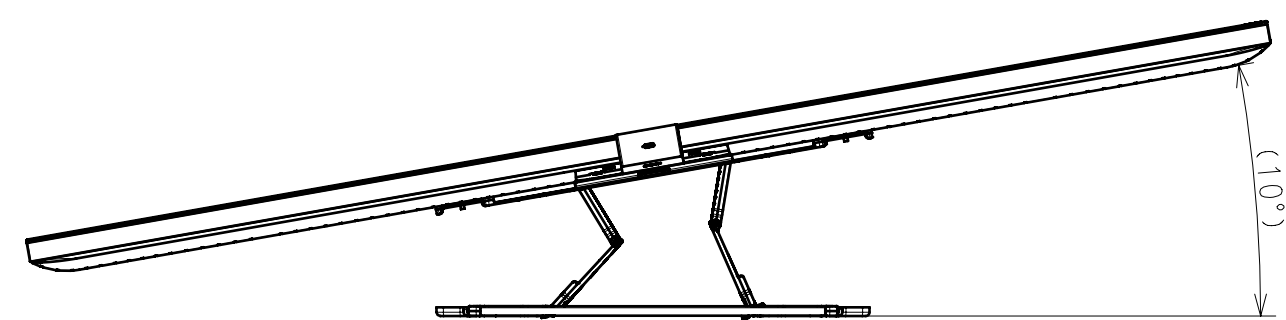
491.5(492:SPEC)
(19 3/8 inch:SPEC)

SU-WL450
MASKING TAPE ALIGNMENT LINE

DESCRIPTION 1	LEGAL OWNER	SCALE
75(XR90) EXTERIOR VIEW	Sony Corporation	1:10
DESCRIPTION 2	PART NO.	SHEET/PAGES
75(XR90) EXTERIOR VIEW		5/ 6

SU-WL900

SU-WL905



SLIM

STANDARD

65.9(66:SPEC)
(2 5/8 inch:SPEC)
*China only

78.9(79:SPEC)
(3 1/8 inch:SPEC)
*China only

61.3(62:SPEC)
(2 1/2 inch:SPEC)

74.3(75:SPEC)
(3 inch:SPEC)

374.5(375:SPEC)
(14 7/8 inch:SPEC)

374.5(375:SPEC)
(14 7/8 inch:SPEC)

SLIM

STANDARD

75.9(76:SPEC)
(3 inch:SPEC)
*China only

88.9(89:SPEC)
(3 5/8 inch:SPEC)
*China only

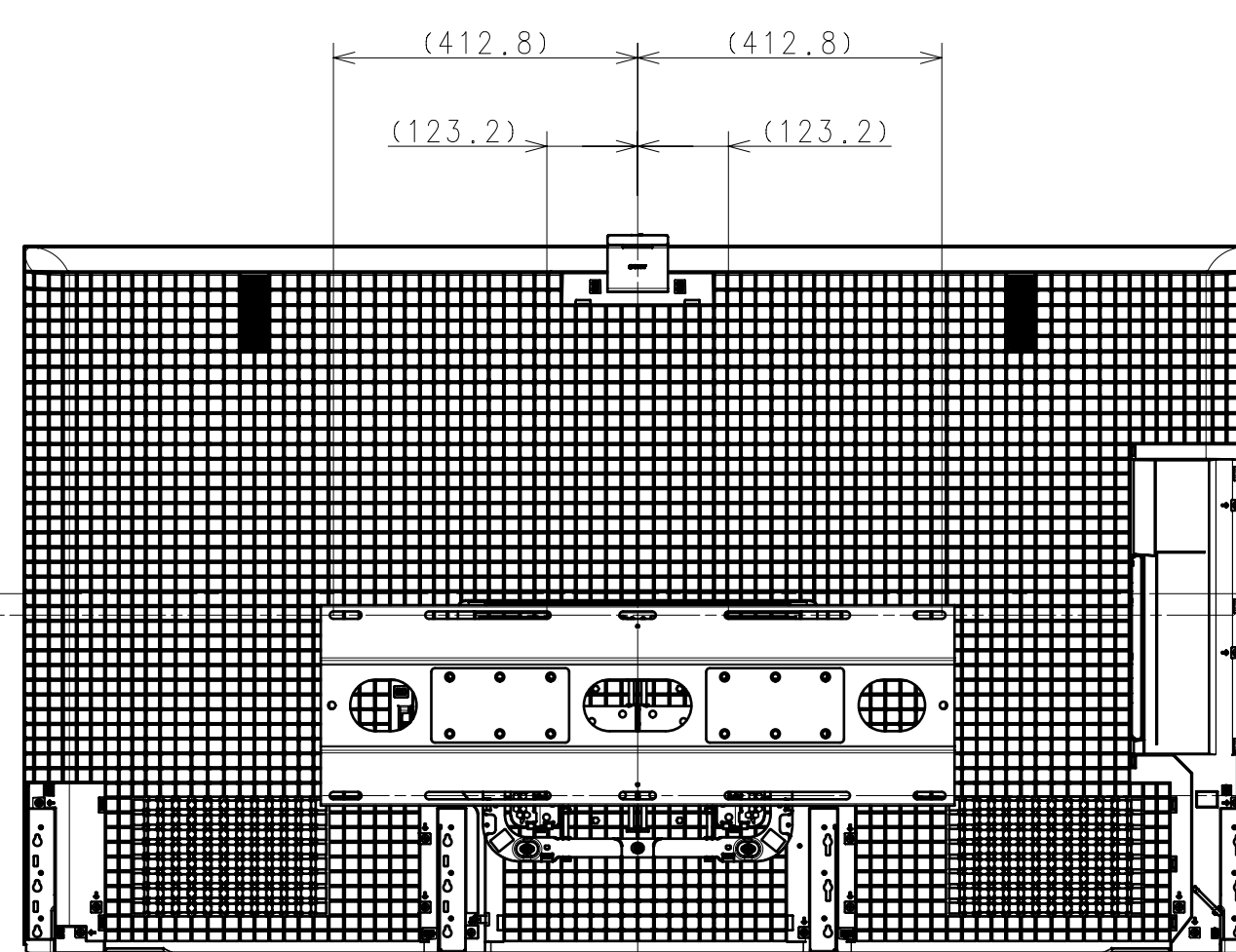
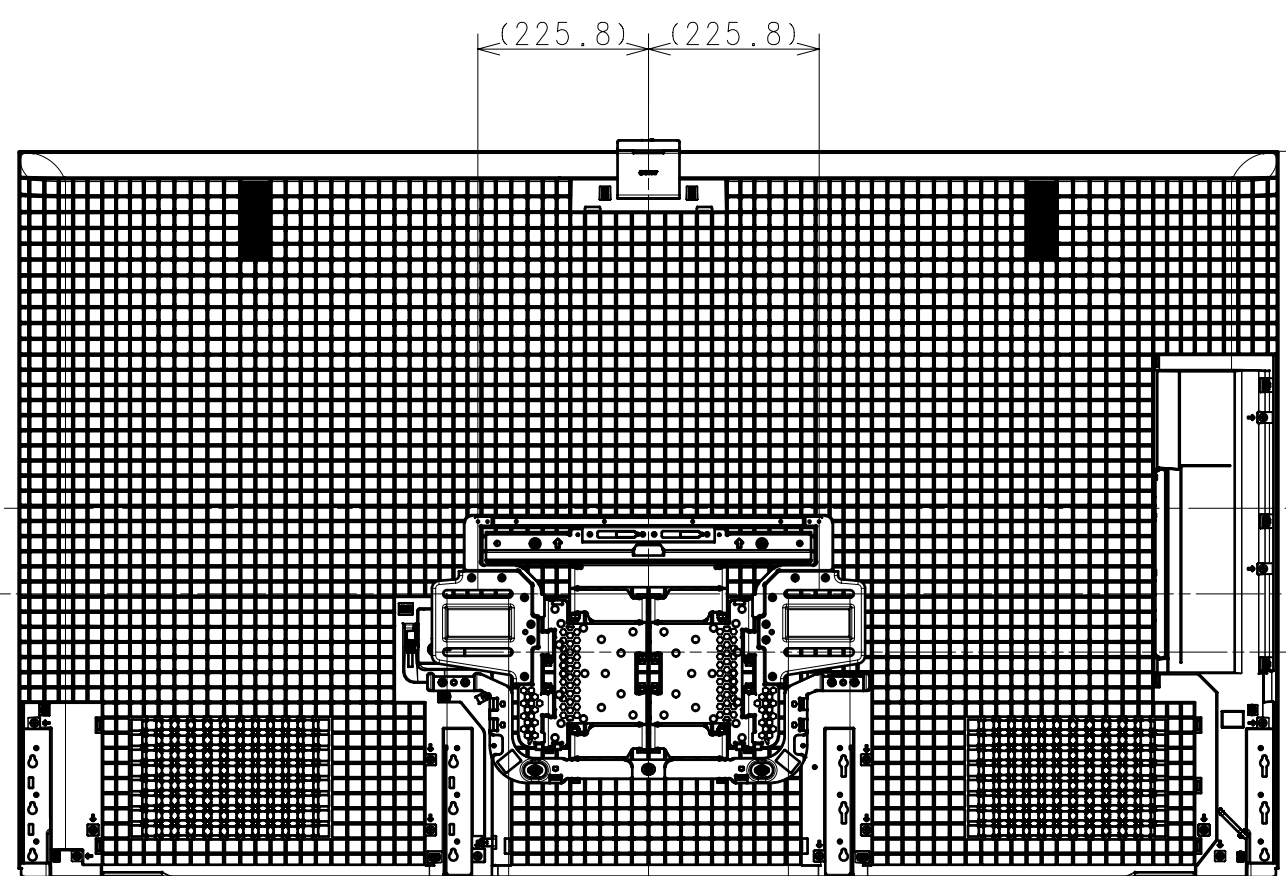
71.3(72:SPEC)
(2 7/8 inch:SPEC)

84.3(85:SPEC)
(3 3/8 inch:SPEC)

458.6(459:SPEC)
(18 1/8 inch:SPEC)

458.6(459:SPEC)
(18 1/8 inch:SPEC)

113.2(114:SPEC)
(4 1/2 inch:SPEC)



29.1(30:SPEC)
(1 3/16 inch:SPEC)

DESCRIPTION 1 75(XR90) EXTERIOR VIEW	LEGAL OWNER Sony Corporation	SCALE 1:10
DESCRIPTION 2 75(XR90) EXTERIOR VIEW	PART NO.	SHEET/PAGES 6/6