

Multi-screen installation of LCD Displays or LCD Monitors

EN

Installation multi-écrans d'Écrans LCD ou de Moniteurs LCD	FR	Inštalácia viacerých LCD displejov alebo LCD monitorov	SK
Instalación multipantalla de Pantallas LCD o Monitores LCD	ES	LCD kijelzők és LCD monitorok többképernyős telepítése	HU
Installatie met meerdere schermen van lcd-monitoren	NL	Instalarea mai multor ecrane LCD sau monitoare LCD	RO
Multi-Screen-Installation von LCD-Displays oder LCD-Monitoren	DE	Многоэкранный монтаж на LCD дисплеи или LCD монитори	BG
Instalação multiecrã de ecrãs LCD ou monitores LCD	PT	Mitme LCD-ekraani või LCD-kuvari paigaldamine	EE
Installazione multischermo di Display LCD o Monitor LCD	IT	LCD displeju vai LCD monitoru vairākekrānu uzstādīšana	LV
Flerskärminstallation av LCD-skärmytor eller LCD-bildskärmar	SE	Kelių ekranų LCD ekranų ar LCD monitorių montavimas	LT
Multiskærmsinstallation med LCD-skærme	DK	Postavljanje sustava od više LCD zasloni ili LCD monitora	HR
LCD-näyttöjen moninäyttöasennus	FI	Vgradnja prikazovalnikov ali monitorjev LCD z več zasloni	SI
Installasjon av flere skjermer med LCD-displayer eller LCD-skjermer	NO	Instalacija više LCD ekrana ili LCD monitora	SR
Montaż wieloekranowy wyświetlaczy LCD lub monitorów LCD	PL	СҚД Дисплейлерді немесе СҚД Мониторларды көп экранды орнату	KZ
Εγκατάσταση πολλαπλών οθονών LCD	GR	LCD 显示器或 LCD 监视器多屏安装	CS
LCD Ekranlar veya LCD Monitörlerin çoklu ekran kurulumu	TR	LCD 顯示螢幕或 LCD 顯示器多螢幕安裝	CT
Установка нескольких ЖК Дисплеев или ЖК Мониторов	RU	تركيب متعدد الشاشات لشاشات عرض LCD أو شاشات LCD	AR
Встановлення кількох РК екранів чи РК моніторів	UA	התקנת מספר מסכים של צגי LCD או מסכי LCD	HE
Instalace více LCD displejů nebo LCD monitorů	CZ		

Precautions when installing

To customers

Multi-screen installation of LCD Displays or LCD Monitors requires proper work. Be sure to ask a dealer or installer to install the LCD Display or LCD Monitor properly with full consideration for safety.

Pay close attention to the wiring of the power supply, etc., and do not perform any installation by yourself.



Failure to follow safety precautions may result in fire or personal injury.

This manual describes important precautions to prevent accidents and how to handle the product. **Read this manual thoroughly** to use the product safely. After reading this manual, be sure to keep it where you can see it anytime.

To dealers and distributors

Multi-screen installation requires special skills, so read this manual thoroughly before installation. We are not responsible for any accident or damage caused by improper installation, improper handling, or use of LCD Displays or LCD Monitors other than those supported by the product. Hand this manual over to the customer after the LCD Display or LCD Monitor installation is completed.

Do not block the ventilation holes of the LCD Display or LCD Monitor.

If the ventilation holes of the LCD Display or LCD Monitor are blocked with tape or mounting brackets during installation, heat may build up inside the LCD Display or LCD Monitor and cause a fire.

Target models

This manual describes the multi-screen installation for the following LCD Displays or LCD Monitors.

FW-100BZ40J / 85BZ40H / 75BZ40H / 75BZ30J / 65BZ40H / 65BZ30J / 55BZ40H / 55BZ30J1 / 55BZ30J / 50BZ35J / 50BZ30J / 43BZ35J / 43BZ30J / 32BZ30J

FW-98BZ53L / 98BZ50L / 98BZ30L / 85BZ40L / 85BZ35L / 85BZ30L / 75BZ40L / 75BZ35L / 75BZ30L / 65BZ40L / 65BZ35L / 65BZ30L / 55BZ40L / 55BZ35L / 55BZ30L / 50BZ30L / 43BZ30L

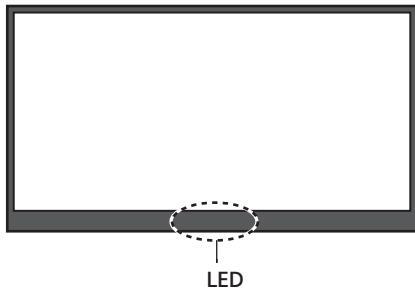
FW-100BU40J / 85BU40H / 75BU40H / 75BU30J / 65BU40H / 65BU30J / 55BU40H / 55BU30J1 / 55BU30J / 50BU35J / 50BU30J / 43BU35J / 43BU30J / 32BU30J

Installation

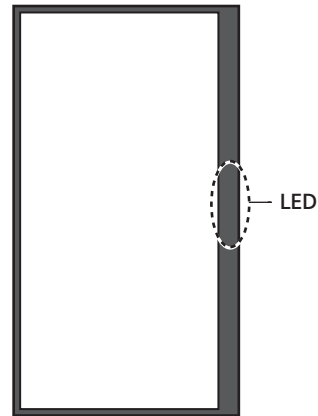
Observe the following standards when installing:

- When carrying the LCD Display or LCD Monitor, hold it horizontally as there is a risk of the LCD Display or LCD Monitor falling when you hold it vertically. Be careful not to apply excessive force to the LCD Display or LCD Monitor, as it may cause deformation.
- We recommend regular checks and maintenance to ensure that there is no problem after installation.
- When installing vertically, rotate the LCD Display or LCD Monitor 90 degrees counterclockwise from the horizontal position. Do not rotate the LCD Display or LCD Monitor clockwise to install it.

Horizontal installation



Vertical installation



- When using mounting brackets during installation, the length of the screws to attach to the LCD Display or LCD Monitor depends on the thickness of the mounting brackets. See the following for details.
- For details on the installation angles, refer to "Wall mount unit mounting method" for each of the LCD Displays or LCD Monitors (attached sheet) and the manual supplied with the mounting brackets.

Model name	Screw size		
	A	B	
FW-85BZ40H / 75BZ40H / 65BZ40H / 55BZ40H / 50BZ35J / 43BZ35J / 75BZ30J / 65BZ30J / 55BZ30J1 / 55BZ30J / 50BZ30J / 43BZ30J / 85BZ40L / 85BZ35L / 85BZ30L / 75BZ40L / 75BZ35L / 75BZ30L / 65BZ40L / 65BZ35L / 65BZ30L / 55BZ40L / 55BZ35L / 55BZ30L / 50BZ30L / 43BZ30L / 85BU40H / 75BU40H / 65BU40H / 55BU40H / 50BU35J / 43BU35J / 75BU30J / 65BU30J / 55BU30J1 / 55BU30J / 50BU30J / 43BU30J	M6	10 mm - 12 mm (¹³ / ₃₂ in - ¹ / ₂ in)	
FW-100BZ40J / 100BU40J	M8	12 mm - 30 mm (¹ / ₂ in - 1 ³ / ₁₆ in)	
FW-98BZ53L / 98BZ50L / 98BZ30L	M8	11 mm - 20 mm (⁷ / ₁₆ in - ¹³ / ₁₆ in)	
FW-32BZ30J / 32BU30J	M6	10 mm - 12 mm (¹³ / ₃₂ in - ¹ / ₂ in)	

Installation conditions

Be sure to observe the following temperature, humidity, and installation conditions when installing.

Temperature conditions

- Keep the ambient temperature of the LCD Display or LCD Monitor* within the specified upper temperature range from 0 °C (32 °F).
- For temperature conditions per LCD Display or LCD Monitor and installation angles, see “Upper temperature limits depending on the LCD Displays or LCD Monitors and installation angles” (page 7 to 8).
- For the installation locations or installation conditions that may result in high temperatures, use an air conditioner or fan to ensure proper ventilation to keep the LCD Display or LCD Monitor within the specified temperature range.

* Ambient temperature is the temperature around the LCD Display or LCD Monitor including the front and back of the panels.

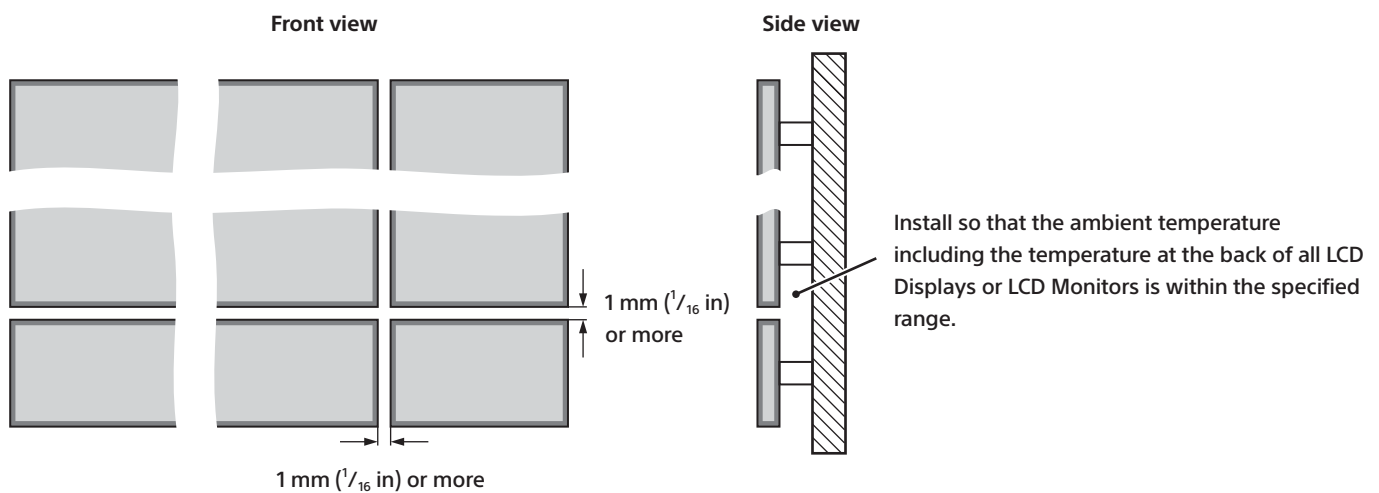
Humidity conditions

Use the LCD Display or LCD Monitor within the following humidity range.

Model name	Humidity conditions
FW-85BZ40H / 75BZ40H / 65BZ40H / 55BZ40H / 85BU40H / 75BU40H / 65BU40H / 55BU40H	10% to 80% (with no condensation)
FW-100BZ40J / 50BZ35J / 43BZ35J / 75BZ30J / 65BZ30J / 55BZ30J1 / 55BZ30J / 50BZ30J / 43BZ30J / 32BZ30J / 98BZ53L / 98BZ50L / 98BZ30L / 85BZ40L / 85BZ35L / 85BZ30L / 75BZ40L / 75BZ35L / 75BZ30L / 65BZ40L / 65BZ35L / 65BZ30L / 55BZ40L / 55BZ35L / 55BZ30L / 50BZ30L / 43BZ30L / 100BU40J / 50BU35J / 43BU35J / 75BU30J / 65BU30J / 55BU30J1 / 55BU30J / 50BU30J / 43BU30J / 32BU30J	20% to 80% (with no condensation)

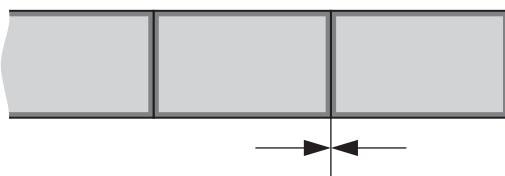
Installation conditions

- Keep a distance of 1 mm ($\frac{1}{16}$ in) or more between LCD Displays or LCD Monitors and do not allow adjacent LCD Displays or LCD Monitors to come into contact with each other.
- Install so that the ventilation holes on the back of the LCD Display or LCD Monitor are not blocked.



When making multi-screen installation in a single row in horizontal installation, the distance between the left and right LCD Displays or LCD Monitors can be 1 mm ($\frac{1}{16}$ in) or less.

Multi-screen installation in a single row in horizontal installation

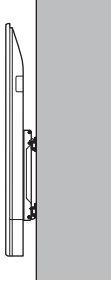
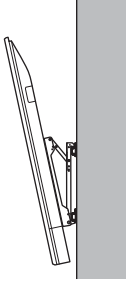
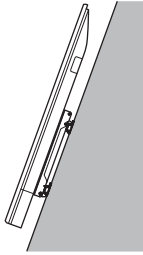


Be careful not to apply a load to each of the adjacent LCD Displays or LCD Monitors.

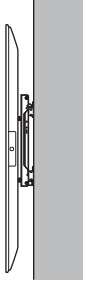
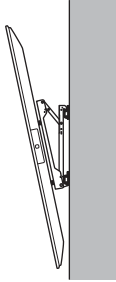
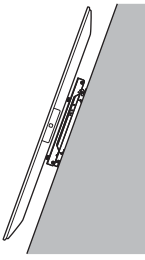
Upper temperature limits depending on the LCD Displays or LCD Monitors and installation angles

Check the following, and install the LCD Display or LCD Monitor so that it is within the temperature range according to the conditions.

Horizontal installation

Model name	Installation angle		
	No tilt 	Forward tilt up to 20 degrees (*Forward tilt up to 15 degrees) 	Backward tilt up to 20 degrees 
FW-85BZ40H / 85BU40H	40 °C (104 °F) or lower	35 °C (95 °F) or lower	35 °C (95 °F) or lower
FW-75BZ40H / 75BU40H	40 °C (104 °F) or lower	35 °C (95 °F) or lower	35 °C (95 °F) or lower
FW-65BZ40H / 65BU40H	40 °C (104 °F) or lower	35 °C (95 °F) or lower	35 °C (95 °F) or lower
FW-55BZ40H / 55BU40H	40 °C (104 °F) or lower	35 °C (95 °F) or lower	35 °C (95 °F) or lower
FW-100BZ40J / 100BU40J*	40 °C (104 °F) or lower	40 °C (104 °F) or lower	40 °C (104 °F) or lower
FW-50BZ35J / 50BU35J	40 °C (104 °F) or lower	40 °C (104 °F) or lower	40 °C (104 °F) or lower
FW-43BZ35J / 43BU35J	40 °C (104 °F) or lower	40 °C (104 °F) or lower	40 °C (104 °F) or lower
FW-75BZ30J / 75BU30J	40 °C (104 °F) or lower	40 °C (104 °F) or lower	40 °C (104 °F) or lower
FW-65BZ30J / 65BU30J	40 °C (104 °F) or lower	40 °C (104 °F) or lower	40 °C (104 °F) or lower
FW-55BZ30J1 / 55BU30J1	40 °C (104 °F) or lower	40 °C (104 °F) or lower	39 °C (102.2 °F) or lower
FW-55BZ30J / 55BU30J	40 °C (104 °F) or lower	40 °C (104 °F) or lower	39 °C (102.2 °F) or lower
FW-50BZ30J / 50BU30J	38 °C (100.4 °F) or lower	40 °C (104 °F) or lower	38 °C (100.4 °F) or lower
FW-43BZ30J / 43BU30J	38 °C (100.4 °F) or lower	39 °C (102.2 °F) or lower	37 °C (98.6 °F) or lower
FW-32BZ30J / 32BU30J	40 °C (104 °F) or lower	40 °C (104 °F) or lower	40 °C (104 °F) or lower
FW-98BZ53L / 98BZ50L*	40 °C (104 °F) or lower	40 °C (104 °F) or lower	40 °C (104 °F) or lower
FW-98BZ30L*	40 °C (104 °F) or lower	40 °C (104 °F) or lower	40 °C (104 °F) or lower
FW-85BZ40L	40 °C (104 °F) or lower	40 °C (104 °F) or lower	40 °C (104 °F) or lower
FW-75BZ40L	40 °C (104 °F) or lower	40 °C (104 °F) or lower	40 °C (104 °F) or lower
FW-65BZ40L	40 °C (104 °F) or lower	40 °C (104 °F) or lower	40 °C (104 °F) or lower
FW-55BZ40L	40 °C (104 °F) or lower	40 °C (104 °F) or lower	39 °C (102.2 °F) or lower
FW-85BZ35L	40 °C (104 °F) or lower	40 °C (104 °F) or lower	40 °C (104 °F) or lower
FW-75BZ35L	40 °C (104 °F) or lower	40 °C (104 °F) or lower	40 °C (104 °F) or lower
FW-65BZ35L	40 °C (104 °F) or lower	40 °C (104 °F) or lower	40 °C (104 °F) or lower
FW-55BZ35L	40 °C (104 °F) or lower	40 °C (104 °F) or lower	39 °C (102.2 °F) or lower
FW-85BZ30L	40 °C (104 °F) or lower	40 °C (104 °F) or lower	40 °C (104 °F) or lower
FW-75BZ30L	40 °C (104 °F) or lower	40 °C (104 °F) or lower	40 °C (104 °F) or lower
FW-65BZ30L	40 °C (104 °F) or lower	40 °C (104 °F) or lower	40 °C (104 °F) or lower
FW-55BZ30L	40 °C (104 °F) or lower	40 °C (104 °F) or lower	39 °C (102.2 °F) or lower
FW-50BZ30L	38 °C (100.4 °F) or lower	40 °C (104 °F) or lower	38 °C (100.4 °F) or lower
FW-43BZ30L	38 °C (100.4 °F) or lower	39 °C (102.2 °F) or lower	37 °C (98.6 °F) or lower

Vertical installation

Model name	<p>No tilt</p> 	<p>Forward tilt up to 20 degrees (*Forward tilt up to 15 degrees)</p> 	<p>Backward tilt up to 20 degrees</p> 
FW-85BZ40H / 85BU40H	35 °C (95 °F) or lower	35 °C (95 °F) or lower	35 °C (95 °F) or lower
FW-75BZ40H / 75BU40H	35 °C (95 °F) or lower	35 °C (95 °F) or lower	35 °C (95 °F) or lower
FW-65BZ40H / 65BU40H	35 °C (95 °F) or lower	35 °C (95 °F) or lower	35 °C (95 °F) or lower
FW-55BZ40H / 55BU40H	35 °C (95 °F) or lower	35 °C (95 °F) or lower	35 °C (95 °F) or lower
FW-100BZ40J / 100BU40J*	40 °C (104 °F) or lower	40 °C (104 °F) or lower	40 °C (104 °F) or lower
FW-50BZ35J / 50BU35J	40 °C (104 °F) or lower	40 °C (104 °F) or lower	—
FW-43BZ35J / 43BU35J	40 °C (104 °F) or lower	37 °C (98.6 °F) or lower	—
FW-75BZ30J / 75BU30J*	38 °C (100.4 °F) or lower	37 °C (98.6 °F) or lower	39 °C (102.2 °F) or lower
FW-65BZ30J / 65BU30J*	38 °C (100.4 °F) or lower	38 °C (100.4 °F) or lower	38 °C (100.4 °F) or lower
FW-55BZ30J1 / 55BU30J1*	36 °C (96.8 °F) or lower	37 °C (98.6 °F) or lower	38 °C (100.4 °F) or lower
FW-55BZ30J / 55BU30J*	36 °C (96.8 °F) or lower	37 °C (98.6 °F) or lower	38 °C (100.4 °F) or lower
FW-50BZ30J / 50BU30J	40 °C (104 °F) or lower	40 °C (104 °F) or lower	40 °C (104 °F) or lower
FW-43BZ30J / 43BU30J	38 °C (100.4 °F) or lower	40 °C (104 °F) or lower	36 °C (96.8 °F) or lower
FW-32BZ30J / 32BU30J	40 °C (104 °F) or lower	40 °C (104 °F) or lower	40 °C (104 °F) or lower
FW-98BZ53L / 98BZ50L*	40 °C (104 °F) or lower	40 °C (104 °F) or lower	40 °C (104 °F) or lower
FW-98BZ30L*	40 °C (104 °F) or lower	40 °C (104 °F) or lower	40 °C (104 °F) or lower
FW-85BZ40L*	40 °C (104 °F) or lower	40 °C (104 °F) or lower	40 °C (104 °F) or lower
FW-75BZ40L*	38 °C (100.4 °F) or lower	37 °C (98.6 °F) or lower	39 °C (102.2 °F) or lower
FW-65BZ40L*	40 °C (104 °F) or lower	40 °C (104 °F) or lower	40 °C (104 °F) or lower
FW-55BZ40L*	36 °C (96.8 °F) or lower	37 °C (98.6 °F) or lower	38 °C (100.4 °F) or lower
FW-85BZ35L*	40 °C (104 °F) or lower	40 °C (104 °F) or lower	40 °C (104 °F) or lower
FW-75BZ35L*	38 °C (100.4 °F) or lower	37 °C (98.6 °F) or lower	39 °C (102.2 °F) or lower
FW-65BZ35L*	38 °C (100.4 °F) or lower	38 °C (100.4 °F) or lower	38 °C (100.4 °F) or lower
FW-55BZ35L*	36 °C (96.8 °F) or lower	37 °C (98.6 °F) or lower	38 °C (100.4 °F) or lower
FW-85BZ30L*	40 °C (104 °F) or lower	40 °C (104 °F) or lower	40 °C (104 °F) or lower
FW-75BZ30L*	38 °C (100.4 °F) or lower	37 °C (98.6 °F) or lower	39 °C (102.2 °F) or lower
FW-65BZ30L*	38 °C (100.4 °F) or lower	38 °C (100.4 °F) or lower	38 °C (100.4 °F) or lower
FW-55BZ30L*	36 °C (96.8 °F) or lower	37 °C (98.6 °F) or lower	38 °C (100.4 °F) or lower
FW-50BZ30L	40 °C (104 °F) or lower	40 °C (104 °F) or lower	40 °C (104 °F) or lower
FW-43BZ30L	38 °C (100.4 °F) or lower	40 °C (104 °F) or lower	36 °C (96.8 °F) or lower