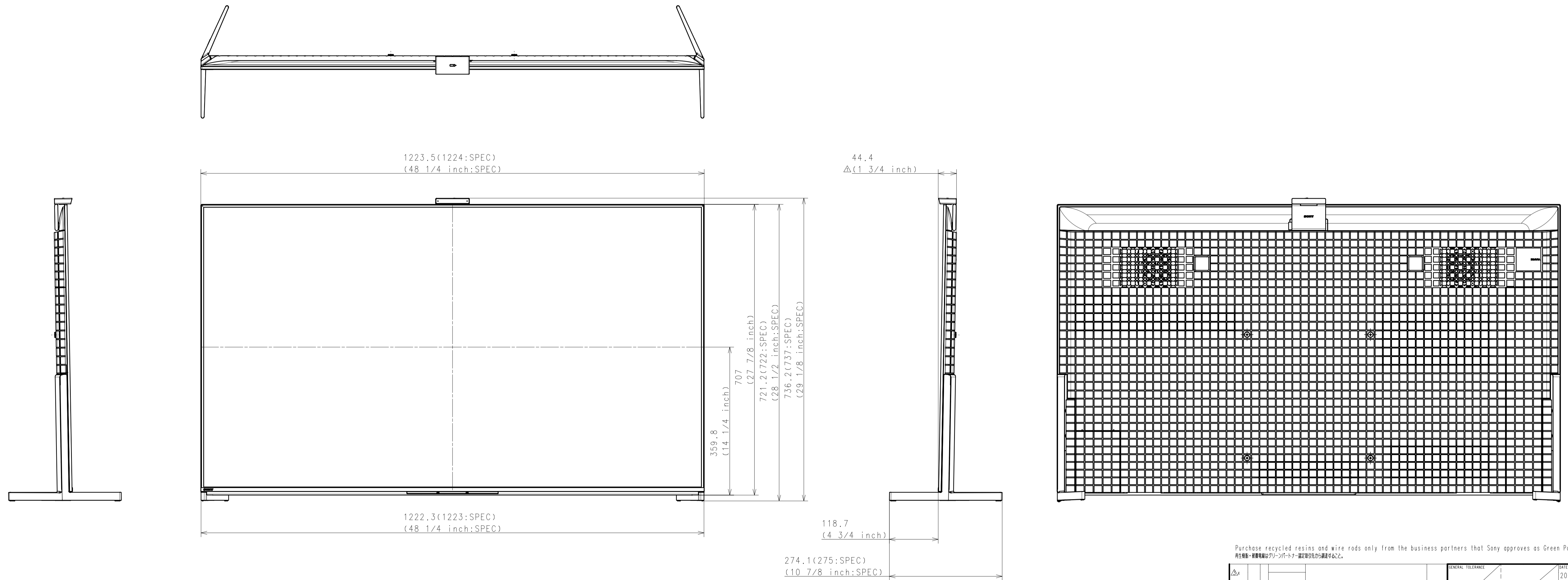


Area		JAPAN	NORTH AMERICA	EUROPE	GENERAL AREA	CHINA
Model Name		XRJ-55A95L	XR-55A95L	XR-55A95L	XR-55A95L	XR-55A95L
SV No.		SV-41550	SV-41390	SV-41540	SV-41451	SV-41508
DIMENSION	TV only (W x H x D)	122.4 x 70.7 x $\Delta$ 3.4 (2.19) cm	1224 x 707 x $\Delta$ 3.4 (21.9) mm / 48 1/4 x 27 7/8 x $\Delta$ 3/8 (7/8) inch	Approx. 122.4 x 70.7 x $\Delta$ 3.4 (2.19) cm	Approx. 1224 x 707 x $\Delta$ 3.4 (21.9) mm	Approx. 1224 x 707 x $\Delta$ 3.4 (21.9) mm
	TV only with camera (W x H x D)	122.4 x $\Delta$ 72.3 x 4.5 (4.28) cm	1224 x $\Delta$ 723 x 45 (42.8) mm / 48 1/4 x 28 1/2 x 1 13/16 (1 11/16) inch	Approx. 122.4 x $\Delta$ 72.3 x 4.5 (4.28) cm	Approx. 1224 x $\Delta$ 723 x 45 (42.8) mm	Approx. 1224 x $\Delta$ 723 x 45 (42.8) mm
	TV with Stand (Standard position) (W x H x D)	122.4 x 73.7 x 27.5 cm	1224 x 737 x 275 mm / 48 1/4 x 29 1/8 x 10 7/8 inch	Approx. 122.4 x 73.7 x 27.5 cm	Approx. 1224 x 737 x 275 mm	Approx. 1224 x 737 x 275 mm
	TV with Stand (Narrow position) (W x H x D)	-	-	-	-	-
	TV with Stand (Soundbar position) (W x H x D)	122.4 x 79.8 x 27.5 cm	1224 x 798 x 275 mm / 48 1/4 x 31 1/2 x 10 7/8 inch	Approx. 122.4 x 79.8 x 27.5 cm	Approx. 1224 x 798 x 275 mm	Approx. 1224 x 798 x 275 mm
	TV with Stand (Front position style) (W x H x D)	-	-	-	-	-
	TV with Stand (Back position style) (W x H x D)	-	-	-	-	-
	TV with Floor Stand (W x H x D)	-	-	-	-	-
	Stand Width (Standard position)	122.3 cm	1223 mm / 48 1/4 inch	Approx. 122.3 cm	Approx. 1223 mm	Approx. 1223 mm
	Stand Width (Narrow position)	-	-	-	-	-
	Stand Width (Soundbar position)	122.3 cm	1223 mm / 48 1/4 inch	Approx. 122.3 cm	Approx. 1223 mm	Approx. 1223 mm
WEIGHT	VESA Hole Pitch	30.0 x 30.0 cm	300 x 300 mm / 11 7/8 x 11 7/8 inch	30.0 x 30.0 cm	300 x 300 mm	300 x 300 mm
	TV Only	17.6 kg	17.6 kg / 38.8 lb	Approx. 17.6 kg	Approx. 17.6 kg	Approx. 17.6 kg
	TV with Stand (Standard position)	19 kg	19 kg / 41.9 lb	Approx. 19 kg	Approx. 19 kg	Approx. 19 kg
	TV with Stand (Narrow position)	-	-	-	-	-
	TV with Stand (Soundbar position)	19 kg	19 kg / 41.9 lb	Approx. 19 kg	Approx. 19 kg	Approx. 19 kg
	TV with Stand (Front/Back position style)	-	-	-	-	-
	TV with Floor Stand	-	-	-	-	-
	Floor Stand weight (Supply)	-	-	-	-	-
	W-M't Br. Weight (Supply)	-	-	-	-	-
	Remarks		2 way	2 way	2 way	2 way

WITH STAND  
STANDARD POSITION

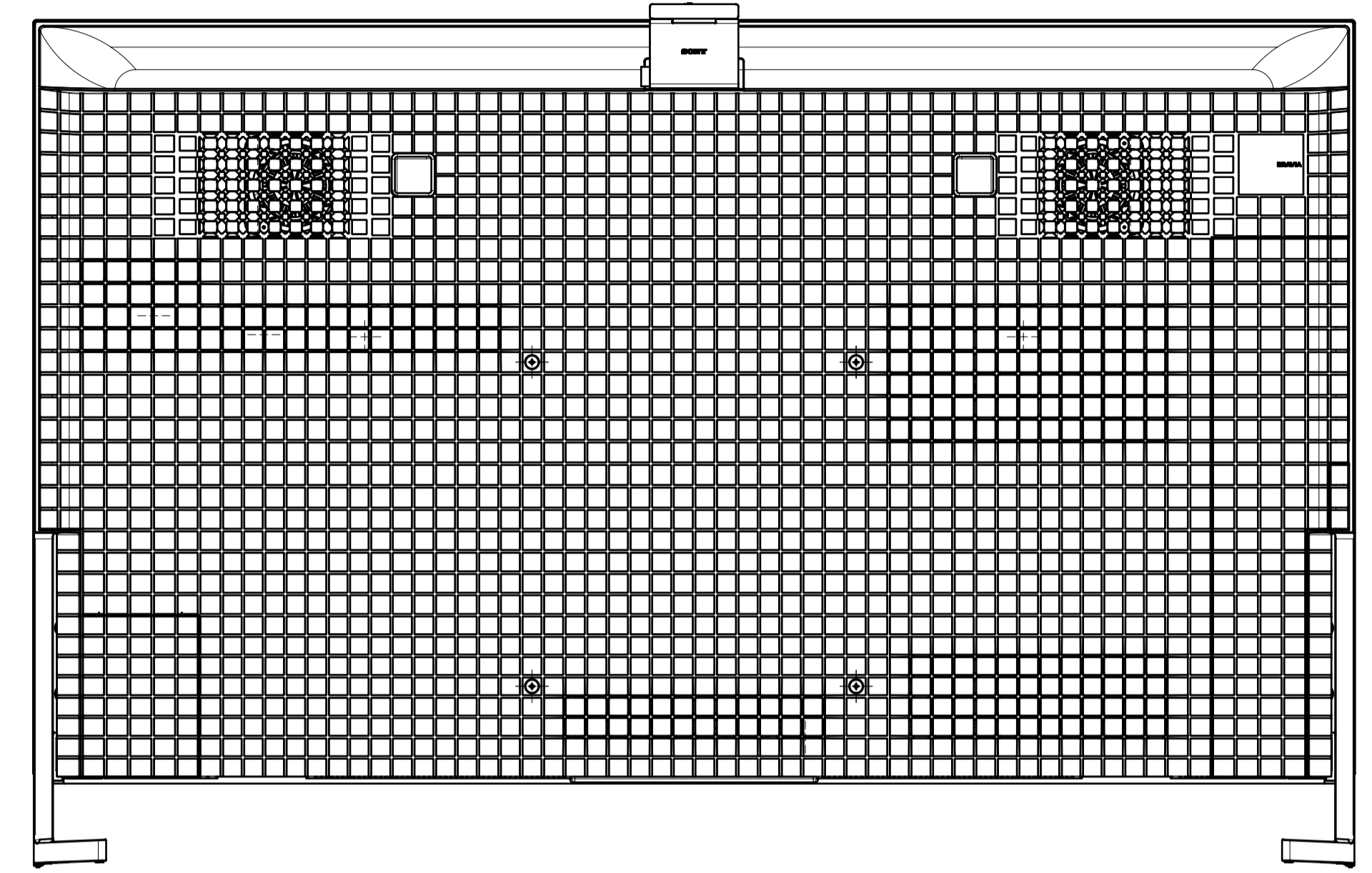
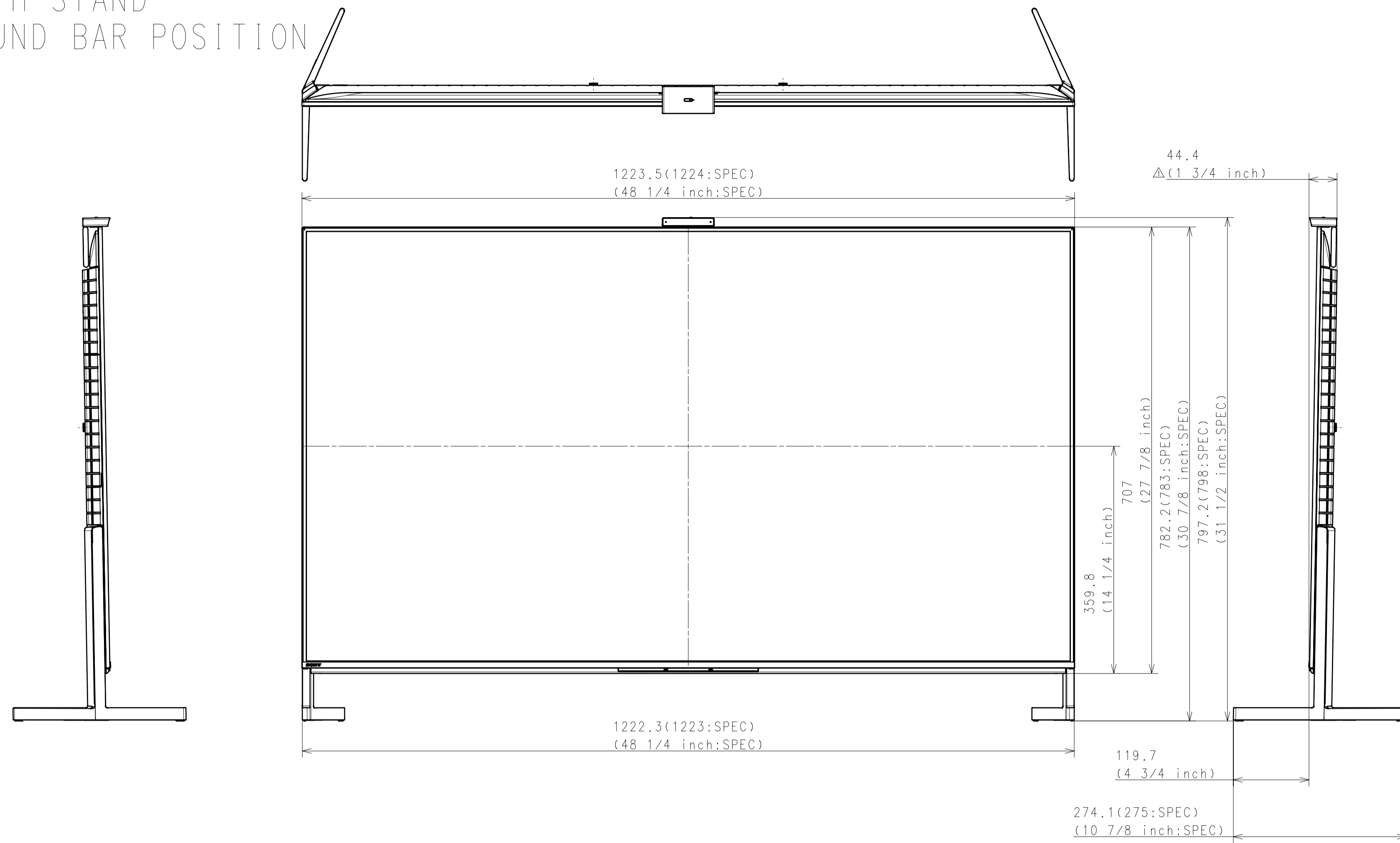


Purchase recycled resins and wire rods only from the business partners that Sony approves as Green Partners.  
再生樹脂・銅線はグリーンパートナー 認定品から調達すること。

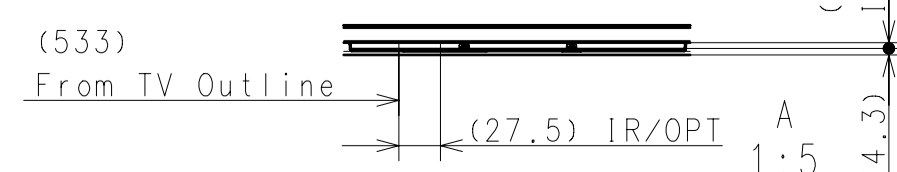
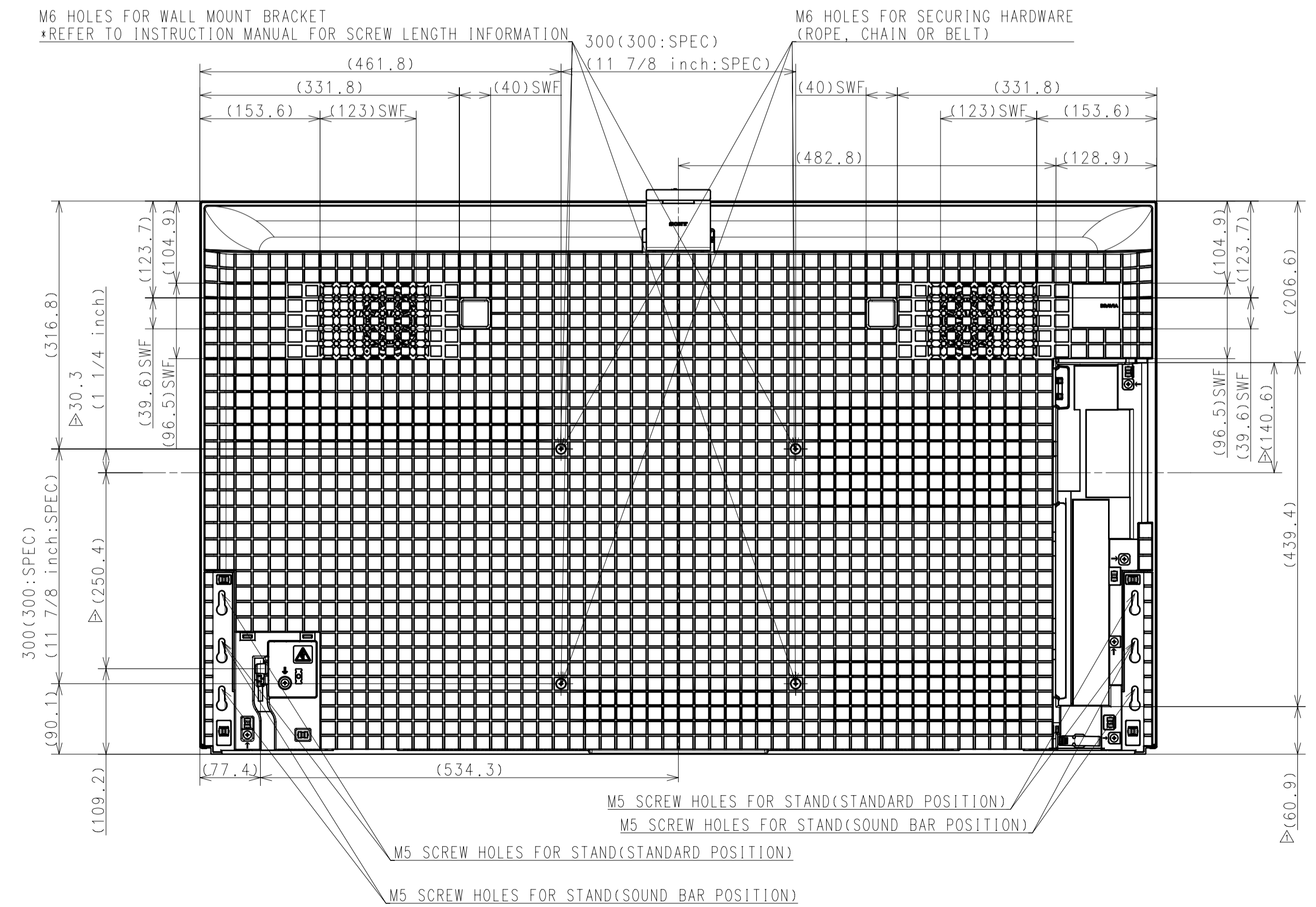
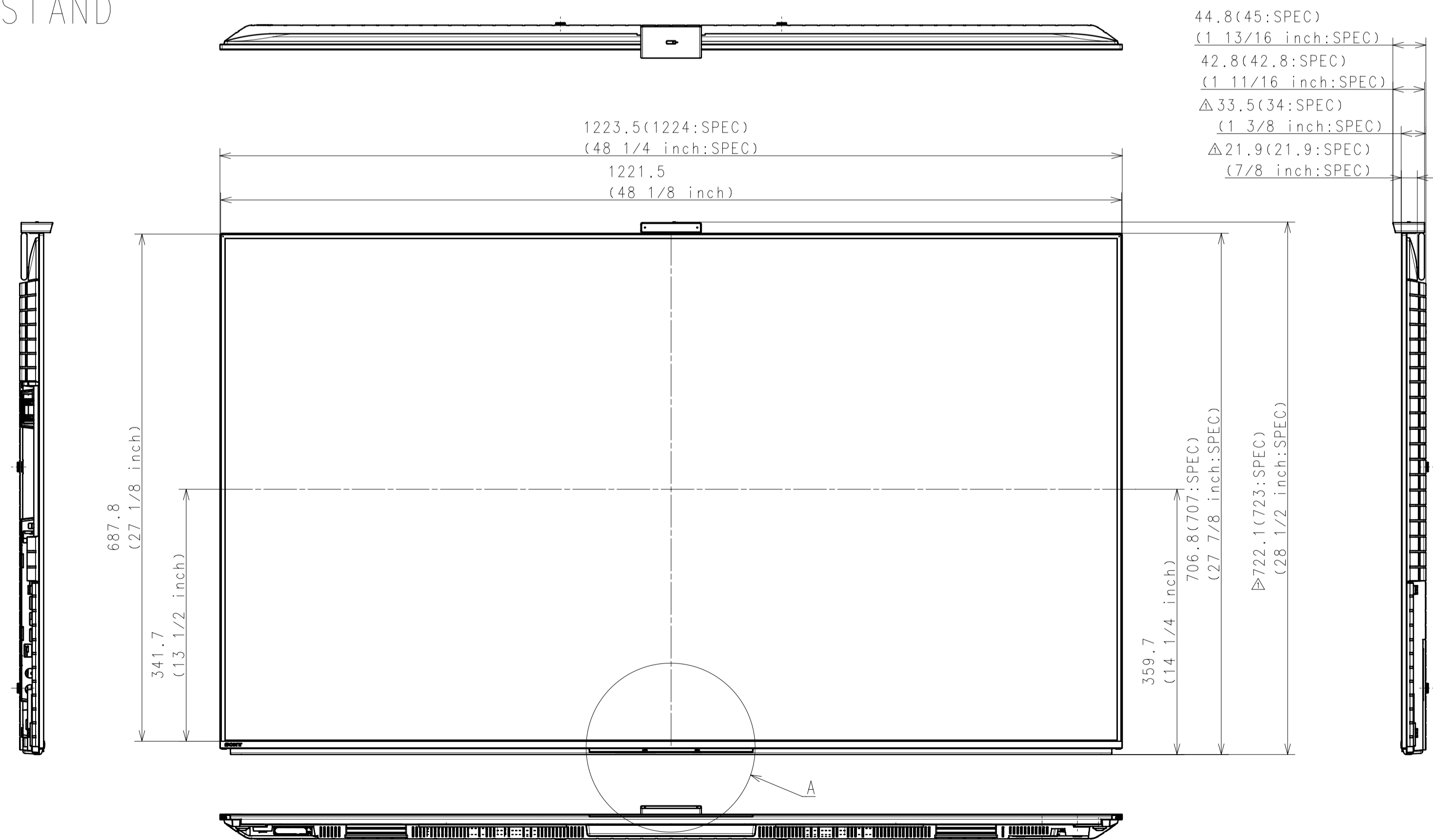
△A				GENERAL TOLERANCE	DATE OF ISSUE
△B					2022.10.27
△C					DOCUMENT TYPE
△D					PART
△E					DRAWING
△F					(JIS & JISX0010 BASIS)
HISTORY	SUFFIX	RELEASE NO.	REVISION	SIGN.	MATERIAL COLOR
V. COUNT	PREL. NO.	DATE			FINISH COLOR
LEGAL OWNER					
Sony Corporation					
RESPONSIBLE DEPARTMENT	ORIGINAL MODEL	DESCRIPTION			
HE Div.	55(A95L)	55(A95L) EXTERIOR VIEW			
PLANNED BY	CHECKED BY	APPROVED BY	SCALE	TENTATIVE MODEL	
2022.10.27	Takashi Hoshimoto		1:5	55(A95L) EXTERIOR VIEW	
DRAWN BY	PREL. METHOD	SIZE	UNIT	PAGE NO.	SUFFIX
2022.10.27	A1	A1	mm		REV. NO.
Takashi Hoshimoto					1/4

THE INFORMATION CONTAINED HEREIN IS UNCLASSIFIED EXCEPT WHERE SHOWN OTHERWISE. IT IS THE PROPERTY OF SONY CORPORATION AND IS TO BE USED ONLY FOR THE PURPOSES SPECIFIED HEREIN. IT IS TO BE KEPT CONFIDENTIAL AND NOT TO BE DISCLOSED TO ANY OTHER PARTY WITHOUT THE WRITTEN PERMISSION OF SONY CORPORATION. THIS INFORMATION IS SUBJECT TO CHANGE WITHOUT NOTICE.

WITH STAND  
SOUND BAR POSITION

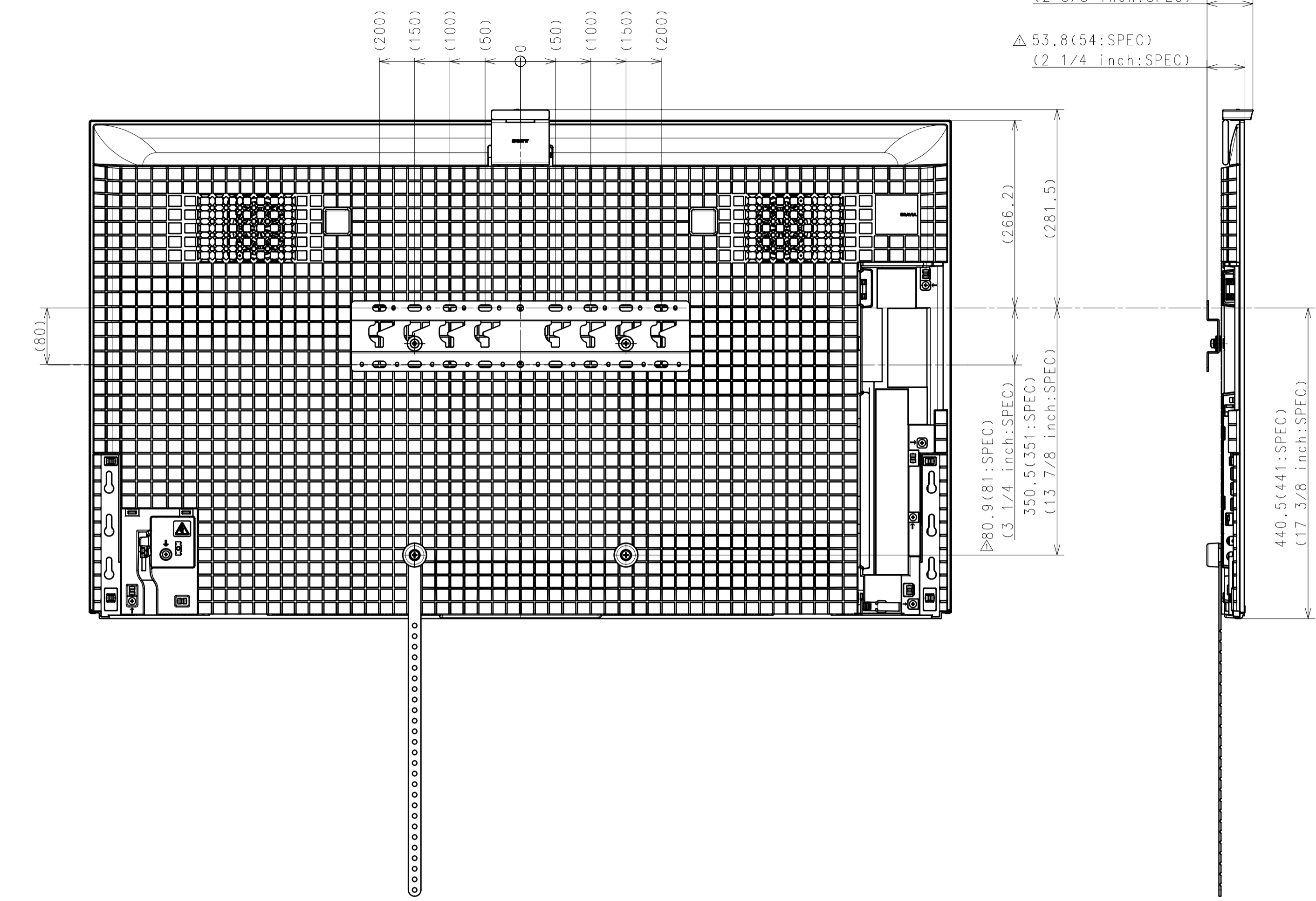


WITHOUT STAND

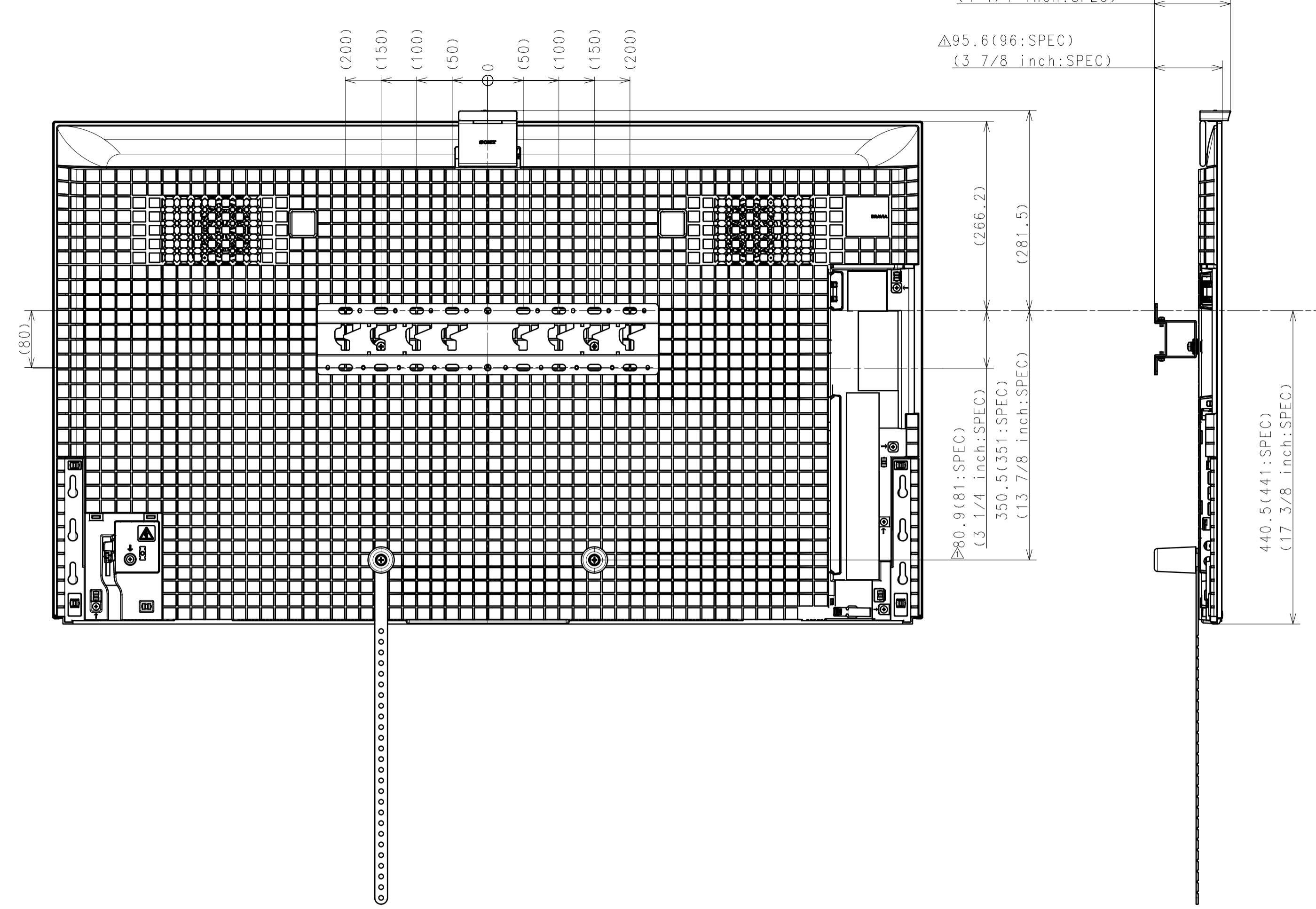


DESCRIPTION 55(A95L) EXTERIOR VIEW	LEGAL OWNER Sony Corporation	SCALE 1:5
DESCRIPTION 55(A95L) EXTERIOR VIEW	PART NO.	SHEET/PAGES 2 / 4

SU-WL450 SLIM



SU-WL450 STANDARD



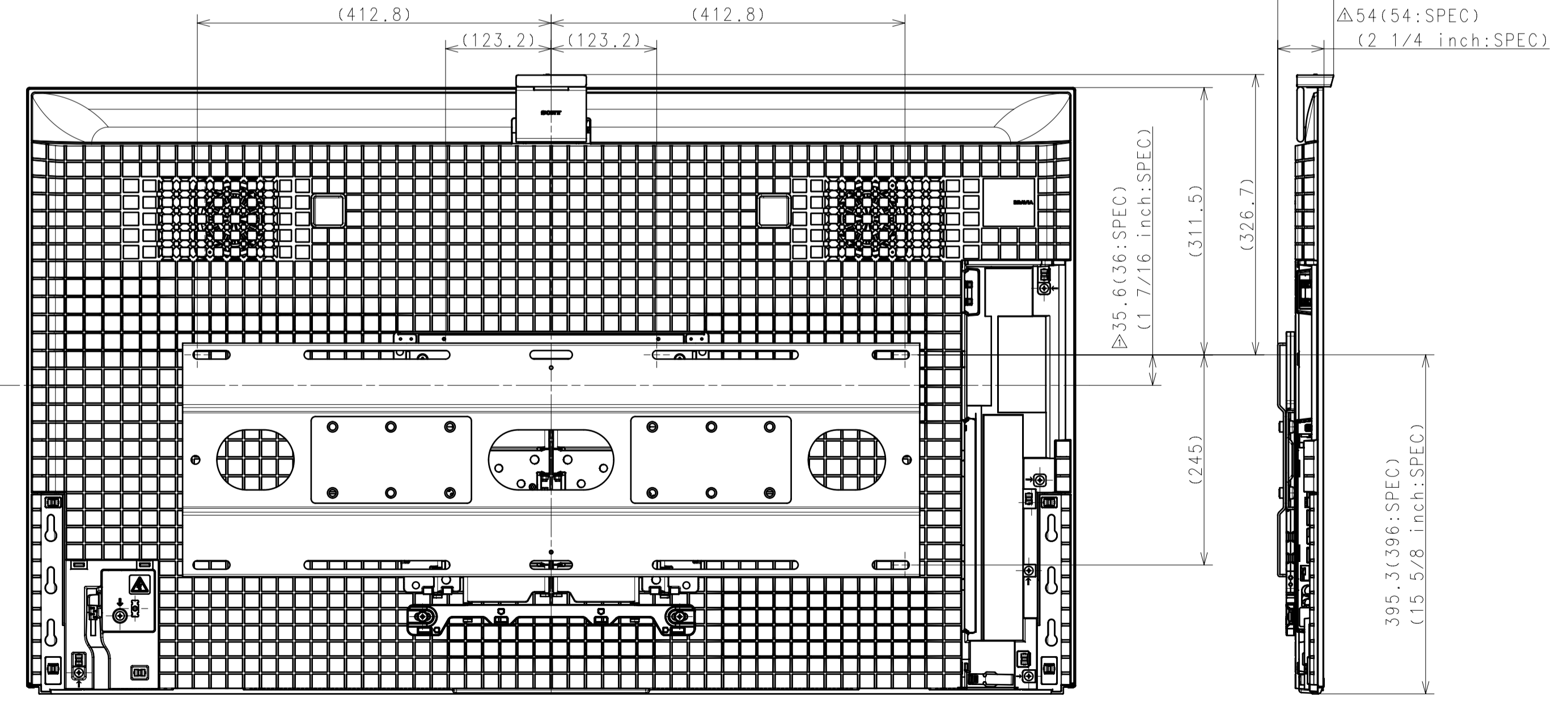
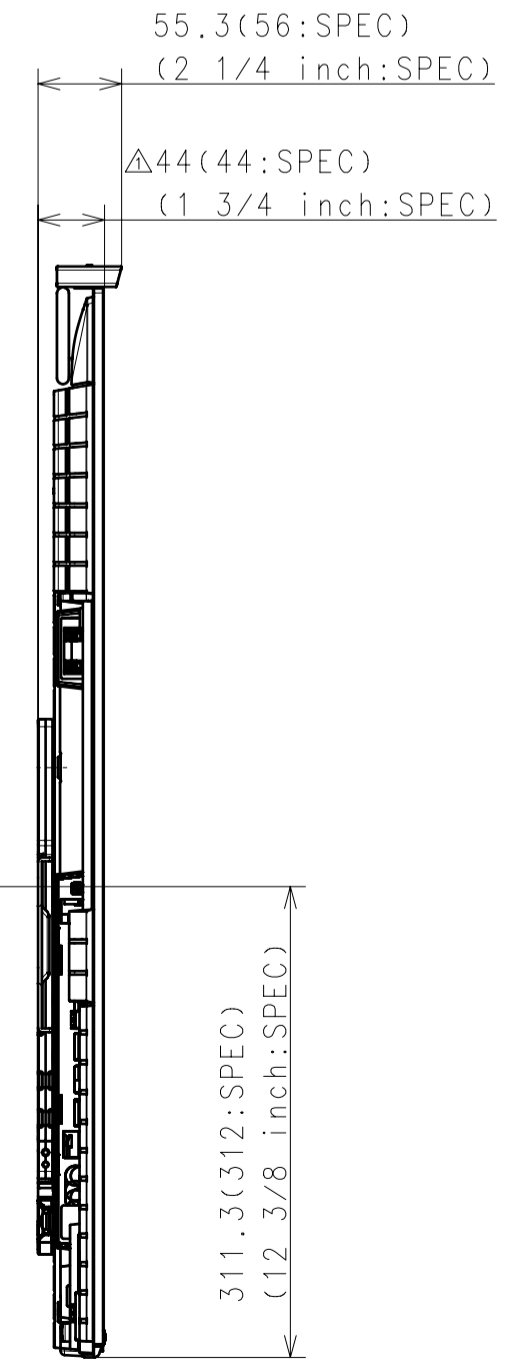
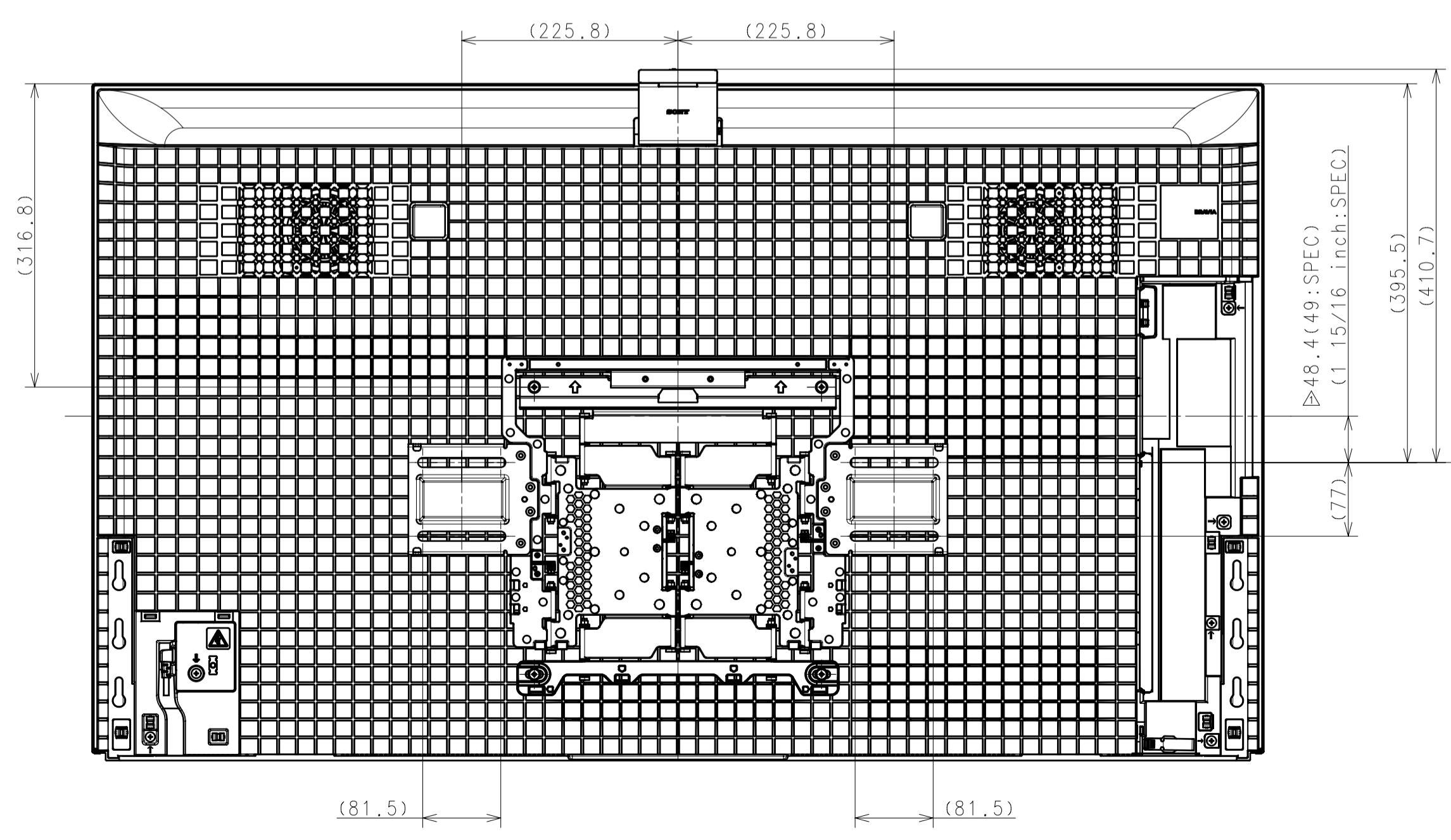
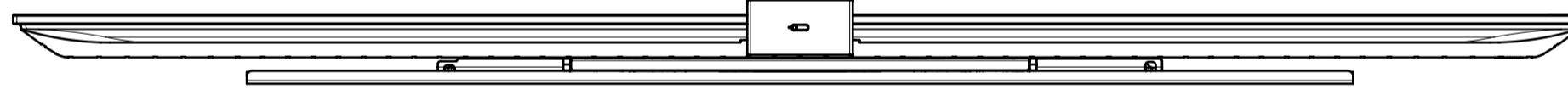
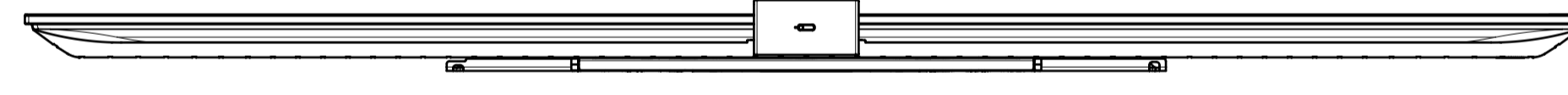
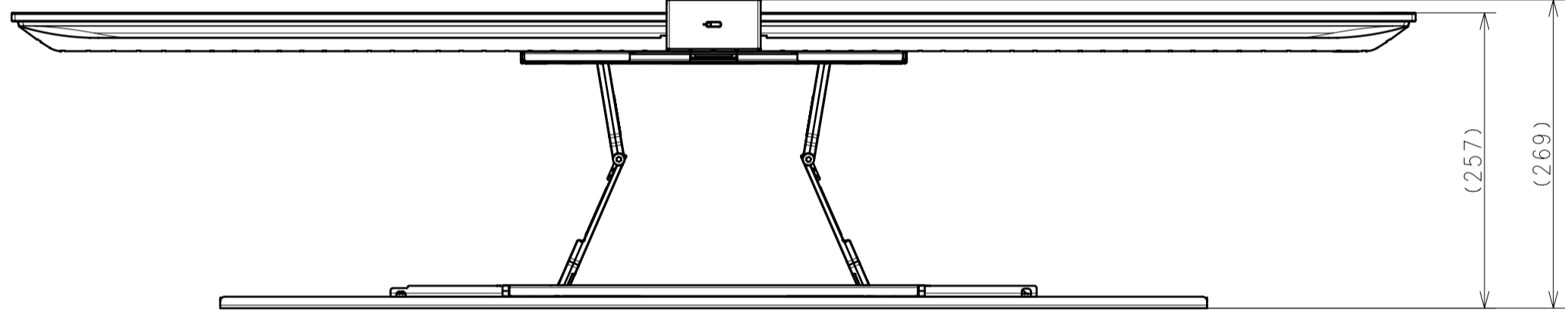
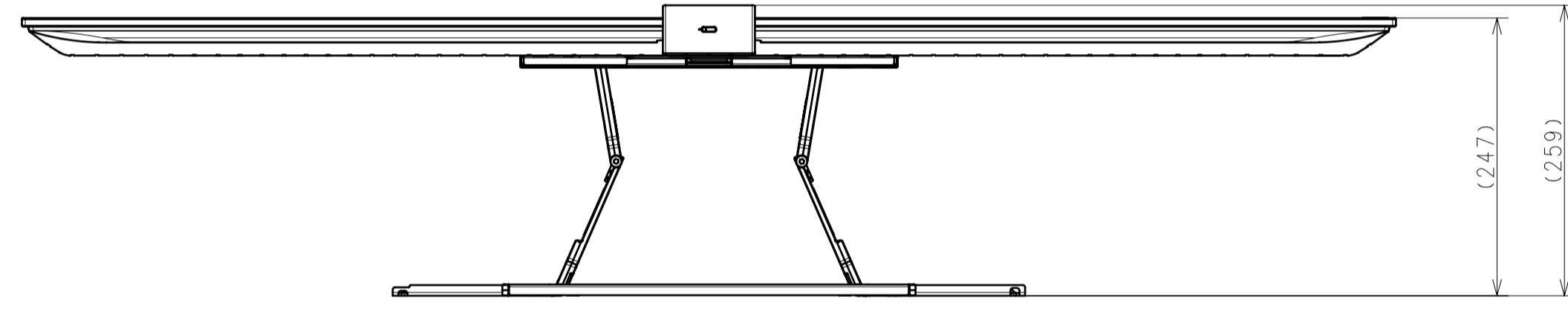
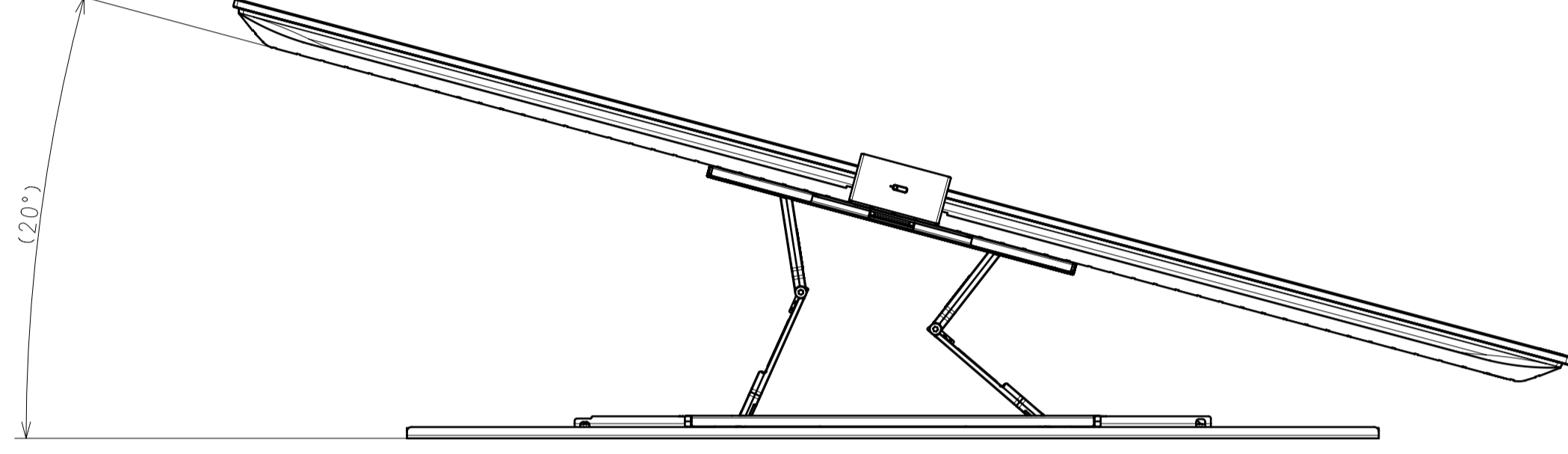
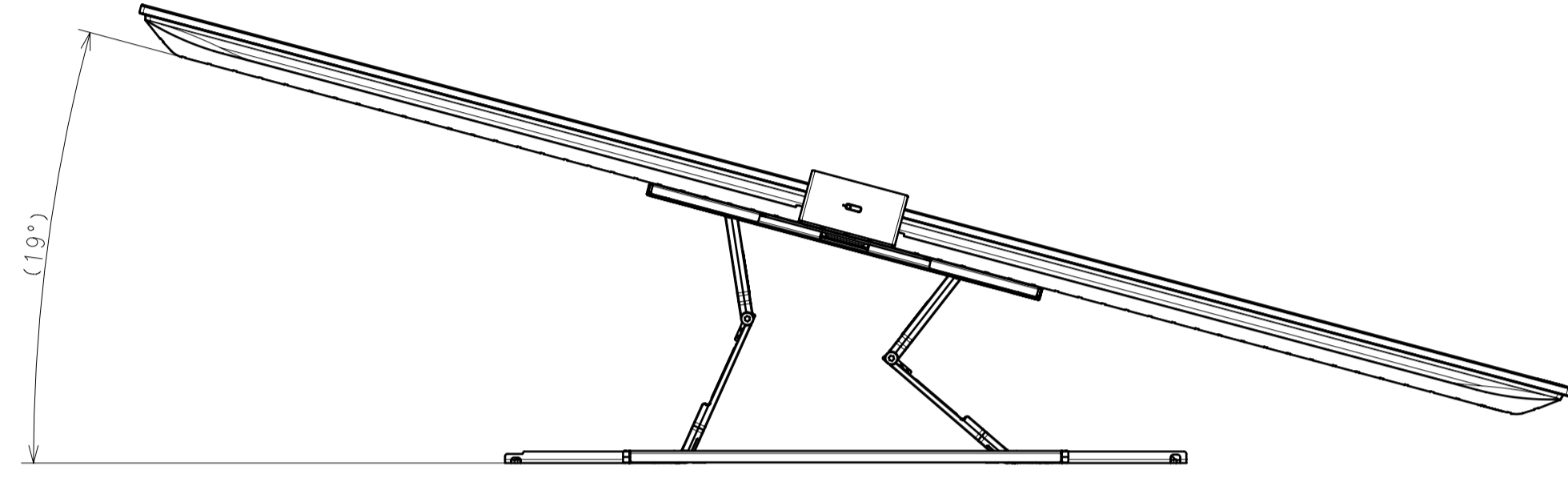
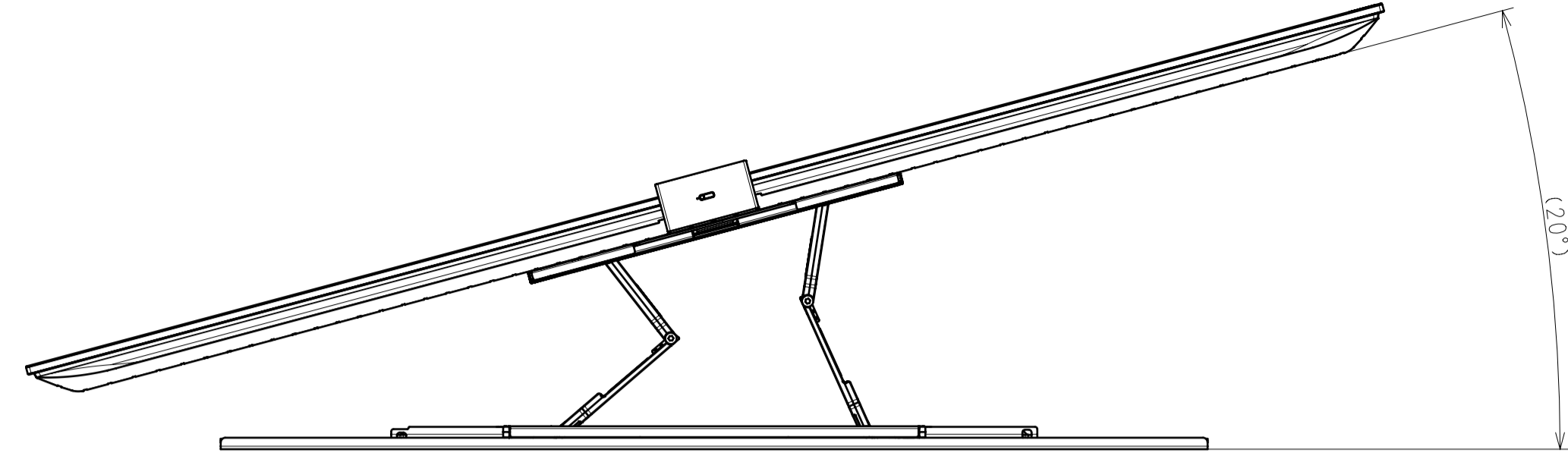
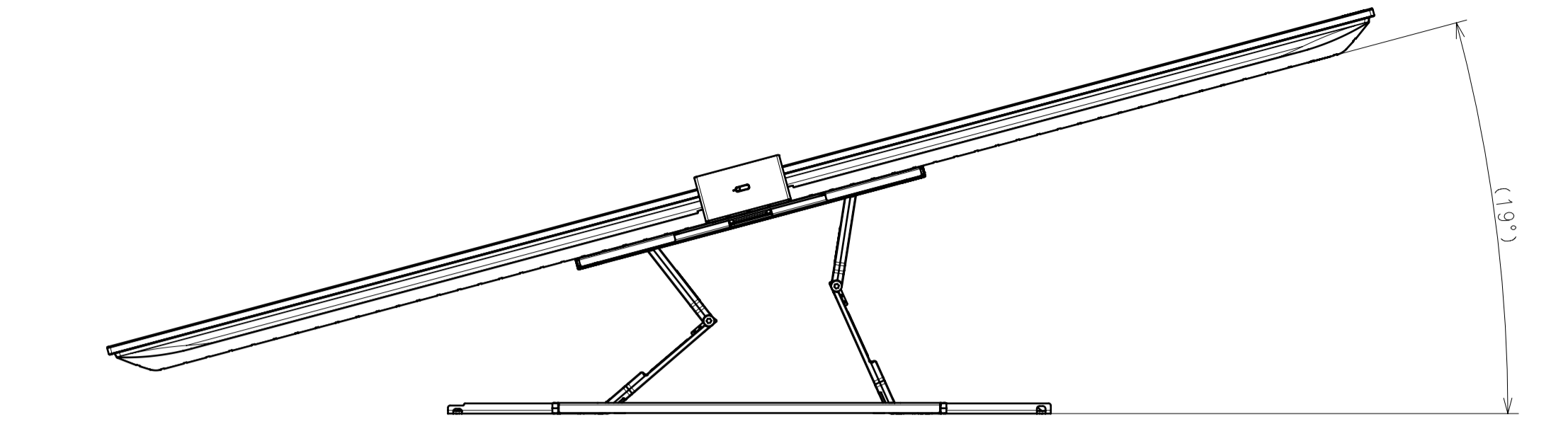
DRAWING

SONY STANDARD

DESCRIPTION 1	LEGAL OWNER	SCALE
55(A95L) EXTERIOR VIEW	Sony Corporation	1:5
DESCRIPTION 2	PART NO.	SHEET/PAGES
55(A95L) EXTERIOR VIEW		3/4

SU-WL850

SU-WL855 WITH LATERAL SHAFT BRACKET



DESCRIPTION 1	LEGAL OWNER	SCALE
55(A95L) EXTERIOR VIEW	Sony Corporation	1:5
DESCRIPTION 2	PART NO.	SHEET/PAGES
55(A95L) EXTERIOR VIEW		4 / 4