

Home Projector

EF-22 Series

Quick Start Guide

Kurzanleitung

Guide de démarrage rapide

Guida di avvio rapido

Guía de inicio rápido

Guia de Referência Rápida

Introductiehandleiding

Introduktion

Pika-aloitusopas

Hurtigveiledning

Snabbstartsguide

Úvodní příručka

Bevezetés

Przewodnik szybkiego startu

Stručná příručka

Ghid de pornire rapidă

Οδηγός γρήγορης εκκίνησης

Hızlı Başlangıç Kılavuzu

Priročnik za hitri zagon

Kratke upute

EPSON

Google TV

Руководство по быстрой установке

Коротка інструкція "Початок роботи"

Қысқаша іске қосу нұсқаулығы

빠른 시작 가이드

دليل البداية السريعة

設定手冊

設定説明書

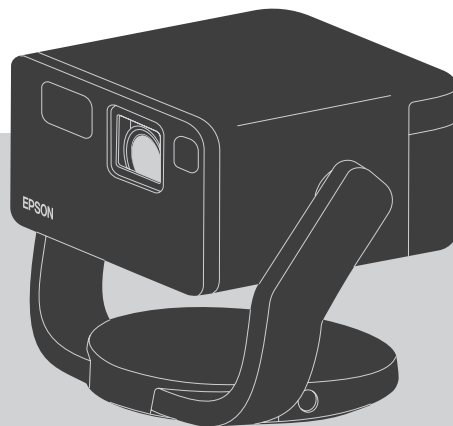
Panduan Ringkas

Hướng dẫn khởi động nhanh

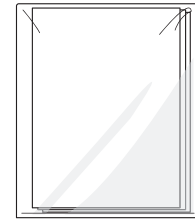
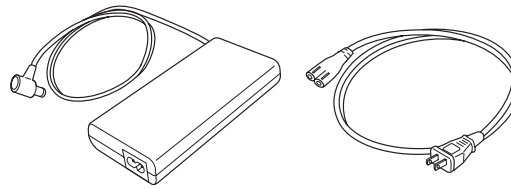
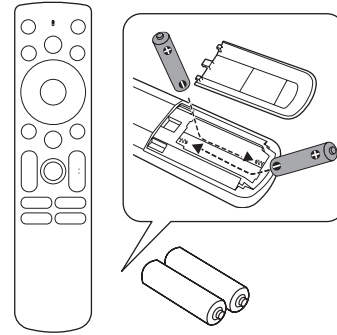
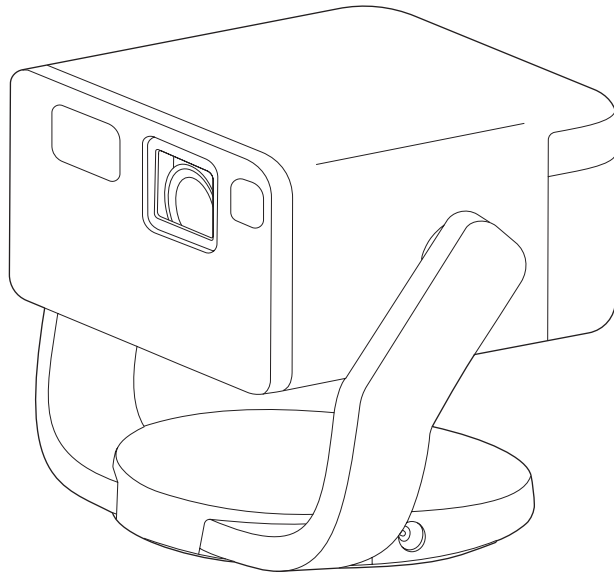


HDMI™
HIGH DEFINITION MULTIMEDIA INTERFACE

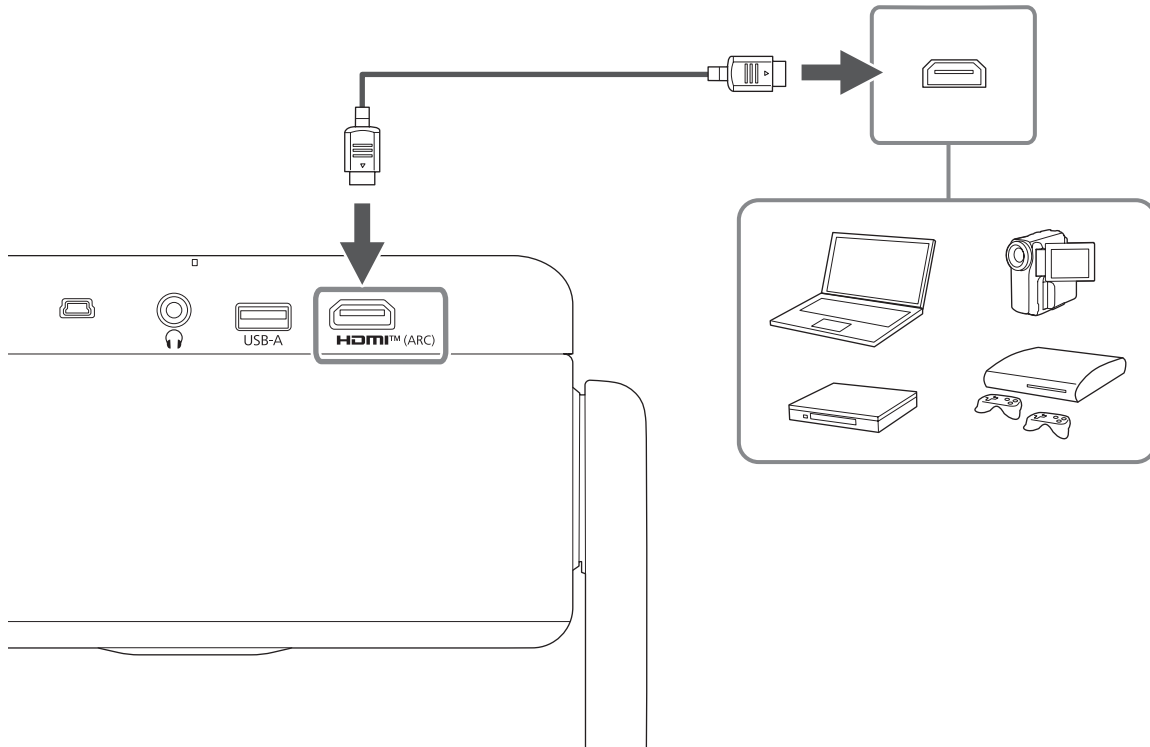
Dolby
AUDIO



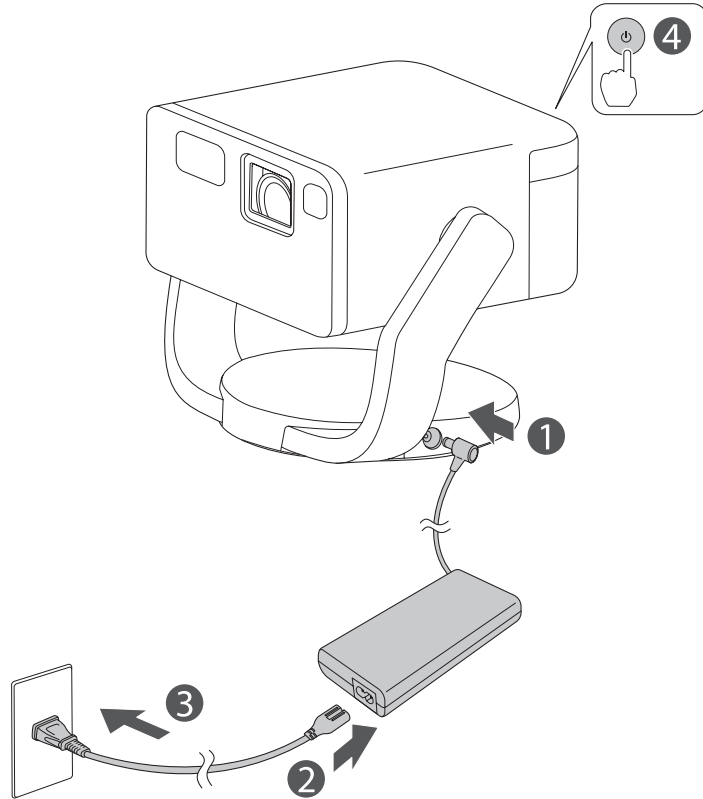
Included items



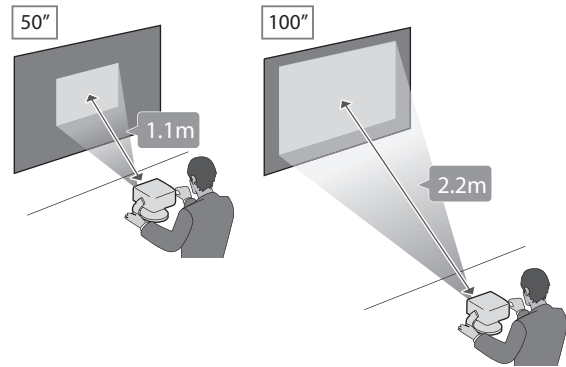
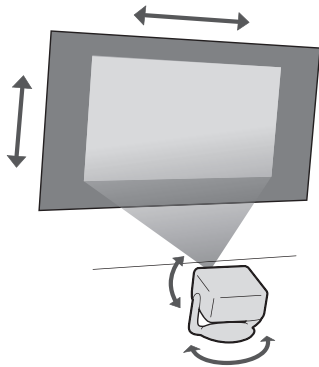
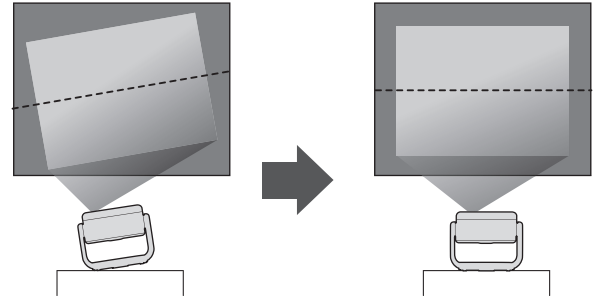
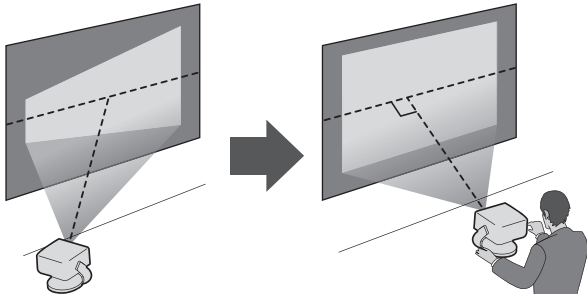
Connecting



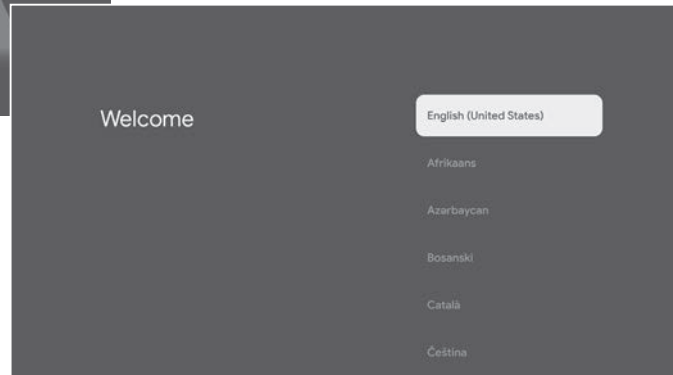
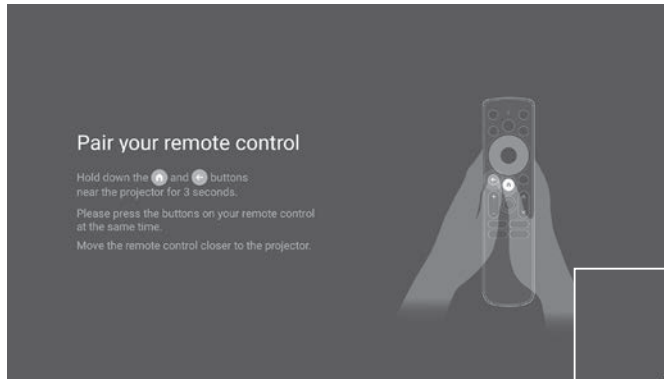
1 Turn on the projector



2 Install the projector



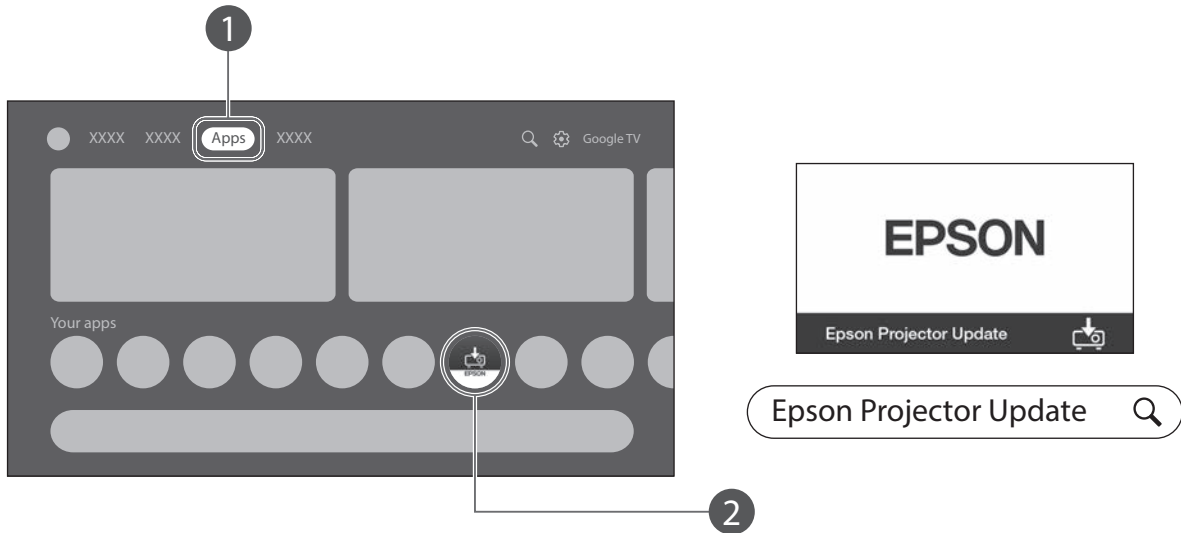
3 Pair the remote controller & Select your language



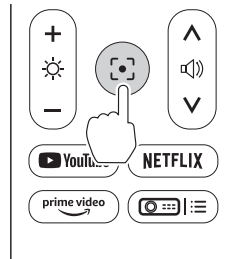
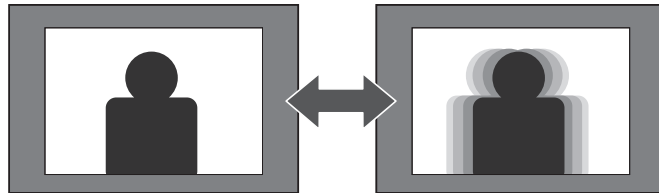
4

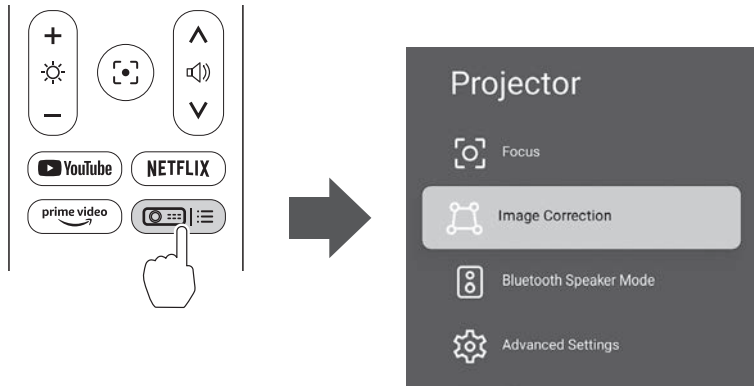
To check for the latest projector firmware,

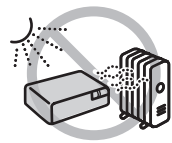
Open Epson Projector Update



5 Correct the image







For more information

epson.sn 



Covered by one or more claims of the HEVC patents listed at patentlist.accessadvance.com.

Google TV is the name of this device's software experience and a trademark of Google LLC. YouTube is a trademark of Google LLC.

Manufactured under license from Dolby Laboratories. Dolby, Dolby Audio, and the double-D symbol are trademarks of Dolby Laboratories Licensing Corporation.

The terms HDMI, HDMI High-Definition Multimedia Interface, HDMI Trade dress and the HDMI Logos are trademarks or registered trademarks of HDMI Licensing Administrator, Inc.

Netflix is a trademark of Netflix, Inc.

All brands contained herein are trademarks of their respective owners.

© 2024 Seiko Epson Corporation



414512700