

SCREEN CONFIGURATION SUMMARY

PROJECT: WP25-00092 - Rugby Plus RW2

SCREEN: PRONRUGBY-PLUS-01731 - 2.400-RUGBY-PLUS-1.78-RW2-B05

SCREEN:

PRONRUGBY-PLUS-01731

Description: 2.400-RUGBY-PLUS-1.78-RW2-B05
Description 2: Overall size 2.580x1.662 mm
Screen Model: Rugby Plus
Native Aspect Ratio: 1.78 Widescreen TV (16:9)
Fabric: Reference White 2
Screen Finishing: Border 5
Dimension Range: 2400 mm Viewing Area

OPTIONS:

Total Drop: Drop from 101 - 200 mm
Fabric roll assembly: Back fall
Screen finish option: White Matte
Screen mechanism: Somfy standard motor
Mechanism position option: Right
Voltage: 230V 50Hz
Instructions: Adeo Screen Manual

ACCESSORIES:

Control System:

AROL0004: Interface RS232-RF-12V-Dry contact for Screen

QTY

1

TOTAL, EXCLUDING FREIGHT & LOCAL TAXES:

Customer:

AWE EUROPE LTD
Alexander House 3A, Blenheim Road
EPSOM
KT19 9AP
GB

Phone:

Email:

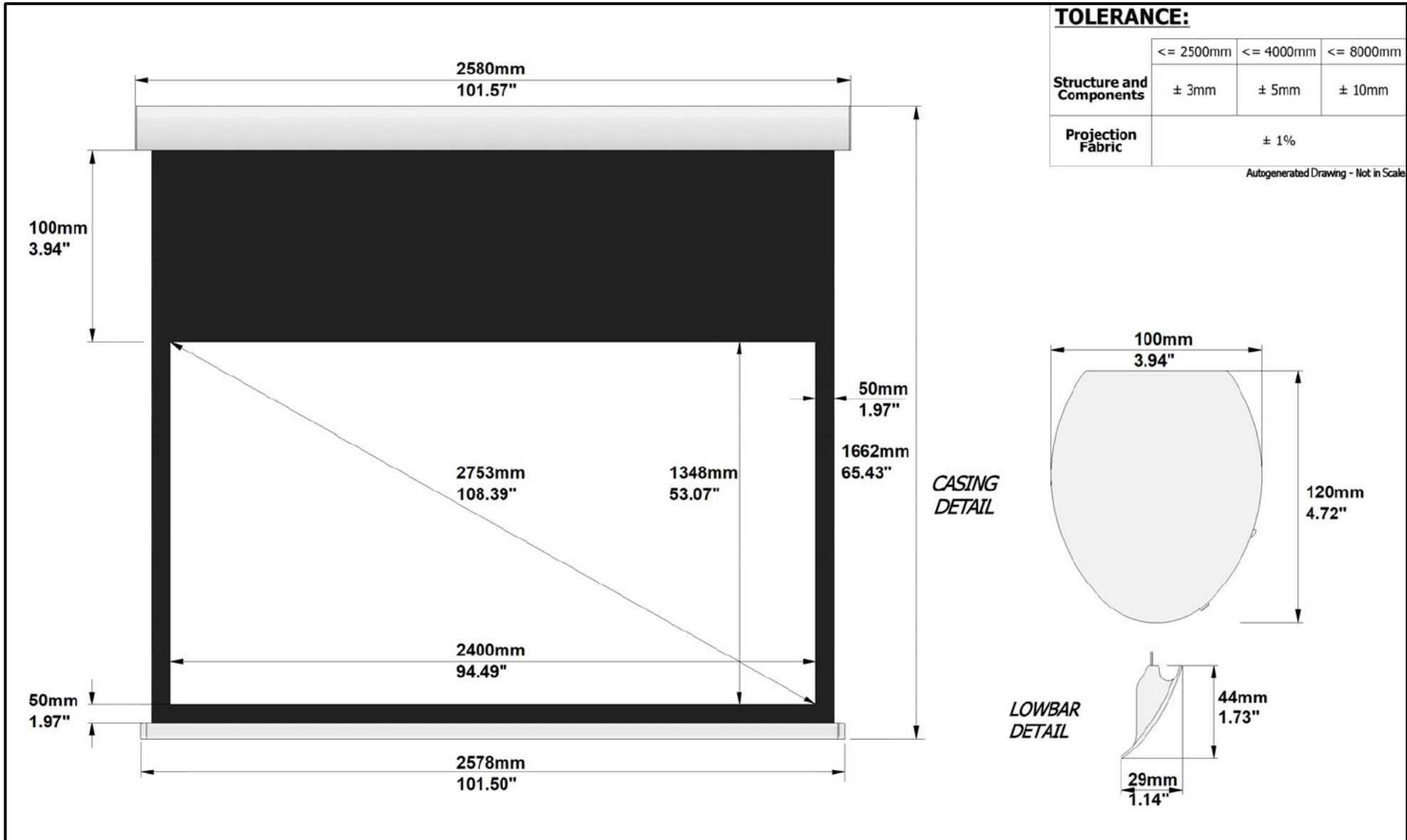
Website: www.awe-europe.com

Comments:

SCREEN CONFIGURATION SUMMARY

PROJECT: WP25-00092 - Rugby Plus RW2

SCREEN: PRONRUGBY-PLUS-01731 - 2.400-RUGBY-PLUS-1.78-RW2-B05



TOLERANCE:

| | <= 2500mm | <= 4000mm | <= 8000mm |
|--------------------------|-----------|-----------|-----------|
| Structure and Components | ± 3mm | ± 5mm | ± 10mm |
| Projection Fabric | ± 1% | | |

Autogenerated Drawing - Not in Scale

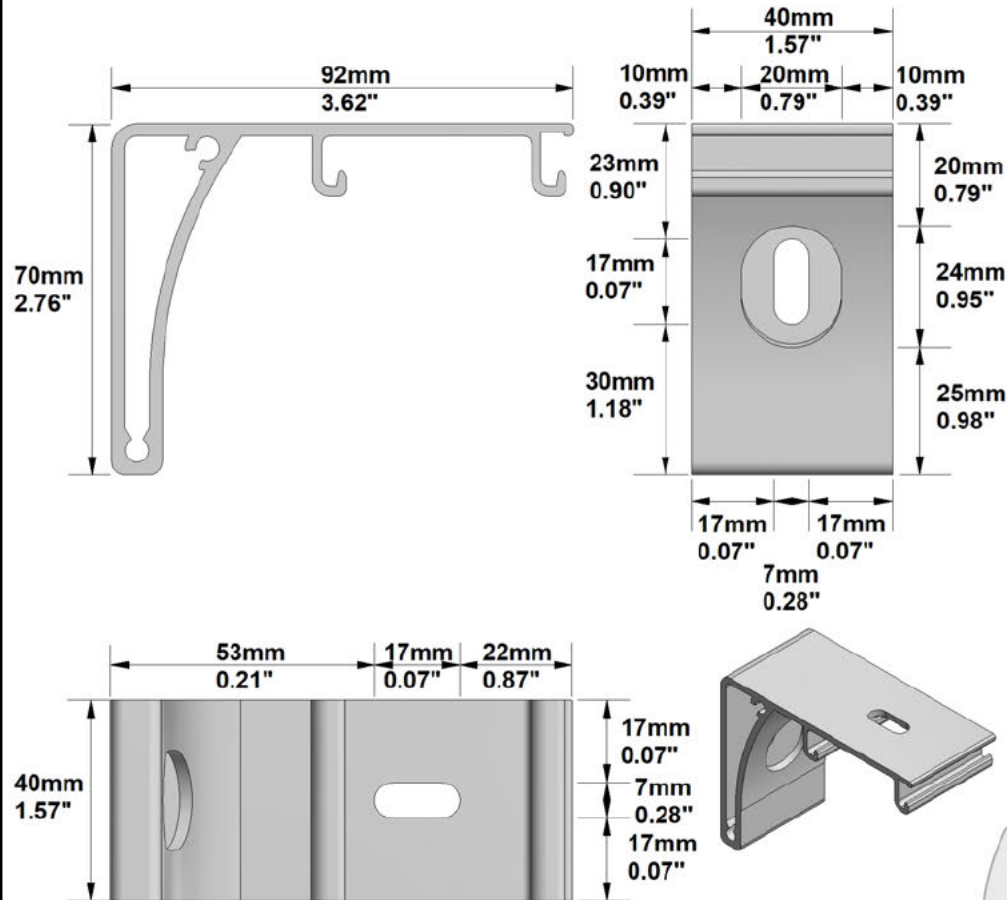
SCREEN CONFIGURATION SUMMARY

PROJECT: WP25-00092 - Rugby Plus RW2

SCREEN: PRONRUGBY-PLUS-01731 - 2.400-RUGBY-PLUS-1.78-RW2-B05

Autogenerate drawing - Not in scale

MOUNTING BRACKET AND INSTALLATION VIEW:

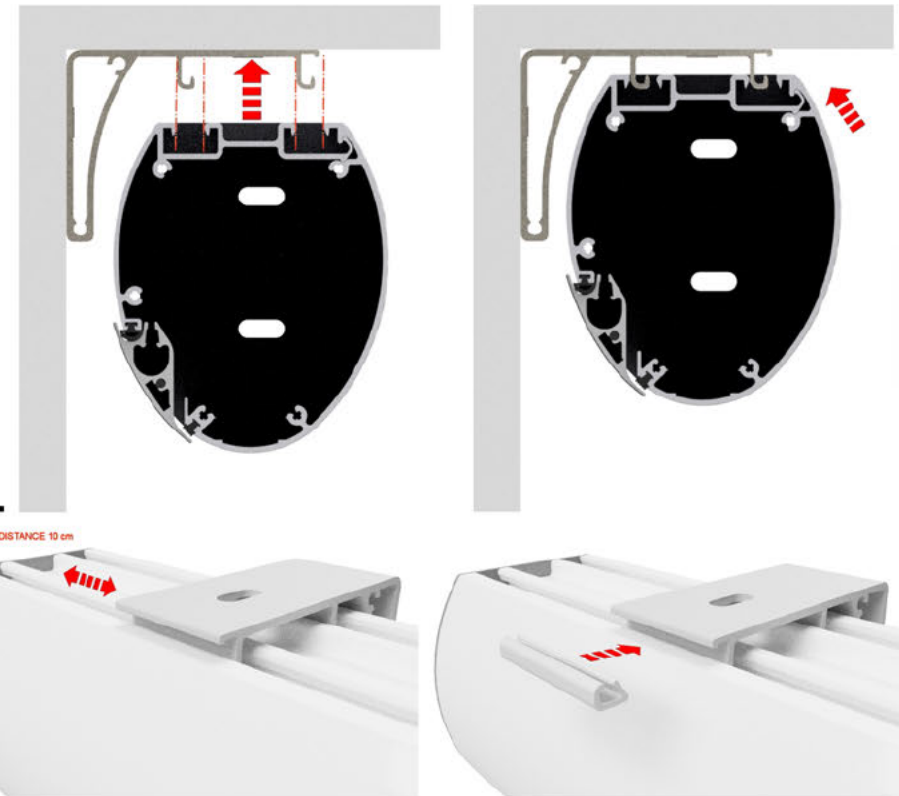


PACKAGING INFORMATION:

ESTIMATED SCREEN NET WEIGHT: 21.30Kg
46.90Lbs

| ESTIMATED SHIPPING DIMENSIONS | | | | NUMBER OF BOXES | ESTIMATED SHIPPING WEIGHT |
|-------------------------------|---------|--------|---------------|-----------------|---------------------------|
| LENGTH | DEPTH | HEIGHT | PALLET HEIGHT | | |
| mm | 2760mm | 150mm | 180mm | 1 | kg 23.90 |
| inches | 108.66" | 5.91" | 7.09" | | lbs 52.58 |

1. FIX THE BRACKET ON THE WALL, AFTER INSERT THE CASING IN THE BRACKETS
2. INSERT THE BLOCKS SYSTEM BETWEEN THE CASING AND THE BRACKETS



| NUMBER OF BRACKETS | |
|--------------------------|---|
| SCREEN OVERALL <= 2580mm | 2 |
| SCREEN OVERALL > 2580mm | 3 |