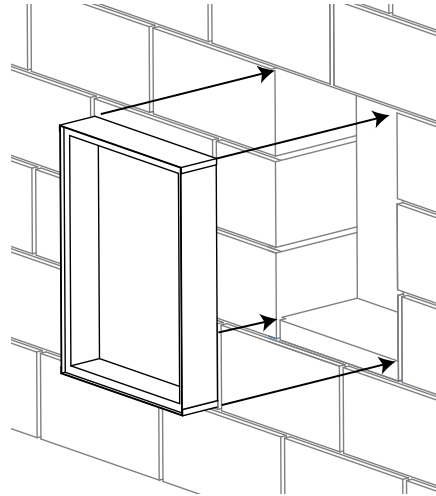


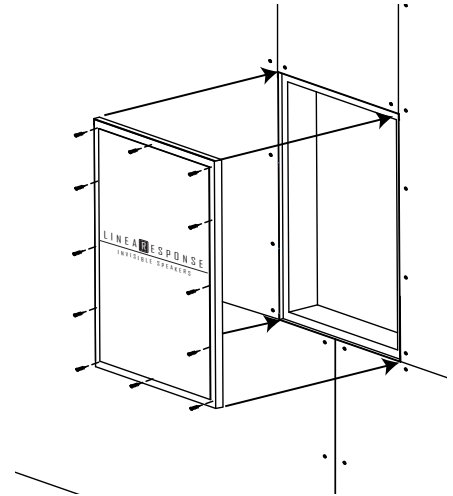
CONCRETE METAL BACK BOXES INSTALLATION OVERVIEW

1. The back box interior should always be insulated before speakers are installed. The MBC boxes are shipped with one piece of lightweight insulation included. Increased acoustical isolation is possible by using a viscoelastic acoustic barrier, such as Dynil® by Dynamic Control (dynamat.com). This material is ultra pliable and only 0.09" thick, allowing it to fit behind the speaker panels.
2. Mount the back box securely into wall/ceiling space so that the leading edge of the box is flush with the final wall surface. The speaker will sit approximately 1/16" beyond the projected wall finish. Minor speaker height adjustments are accomplished with the shims included with the speaker. Additional fasteners and/or bracing materials may be necessary to securely mount the box to the masonry or within the suspended ceiling. Make sure the box is securely attached to the wall or ceiling.
3. Run speaker wire to each box location. Use the provided 1/2" (13 mm) knockouts for wire passage.
4. Connect and attach the speaker to the mounting points inside the back box. Make sure to properly connect the speaker wires to the speaker binding posts and tighten securely using the enclosed plastic nut driver. Tighten once, jiggle the wires and then tighten again until snug. Do not over-tighten the binding posts.
5. Test the speaker by connecting an amplified FULL RANGE audio source to the head end wiring location. This is to ensure that the speaker and associated wiring are functioning properly prior to the finishing the wall/ speaker.
6. Once the speaker is attached and tested, use a straight-edge (like a framing square) to check the panel-face registration to ensure that it is mounted so that the center of the

MBC Back Box Solid Wall Application

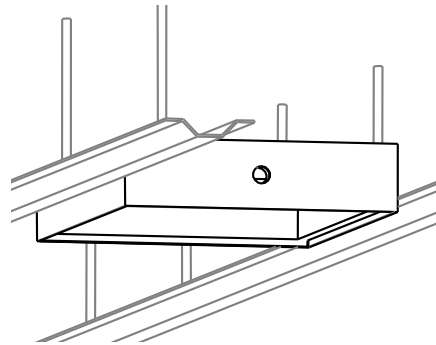


Attach back box to wall

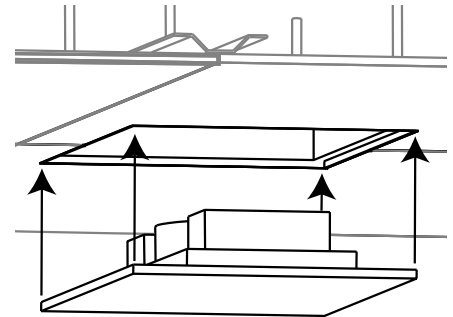


Attach speaker panel to MBC box

MBC Back Box Hard-Lid Ceiling Application



Attach back box to ceiling



Attach speaker panel to MBC box

panel is approximately 1/16" (1.5 mm) beyond the adjoining wall surface. When the straight-edge is placed on the face of the speaker, there should be a slight gap between the speaker and the adjoining wall surface. Adjust the panel face registration as needed with shims. **DO NOT ALLOW THE PANEL FACE TO BE BEHIND THE ADJOINING WALL SURFACE.**

7. Feather speaker seams to the surrounding wallboard. Sand as needed until flat wall or ceiling look is achieved.
8. Finish as needed with approved options including light texture, latex paint and wallpaper.