

SCREEN CONFIGURATION SUMMARY

PROJECT: WP25-00096 - Rugby Plus VAC

SCREEN: PRONRUGBY-PLUS-01733 - 2400-RUGBY-PLUS-1.78-VAC-B05

SCREEN:

PRONRUGBY-PLUS-01733

Description: 2400-RUGBY-PLUS-1.78-VAC-B05
Description 2: Overall size 2.580x1.662 mm
Screen Model: Rugby Plus
Native Aspect Ratio: 1.78 Widescreen TV (16:9)
Fabric: Vision Acoustik
Screen Finishing: Border 5
Dimension Range: 2400 mm Viewing Area

OPTIONS:

Total Drop: Drop from 101 - 200 mm
Fabric roll assembly: Back fall
Screen finish option: White Matte
Screen mechanism: Somfy standard motor
Mechanism position option: Right
Voltage: 230V 50Hz
Instructions: Adeo Screen Manual

ACCESSORIES:

Control System:

AROL0004: Interface RS232-RF-12V-Dry contact for Screen

QTY

1

TOTAL, EXCLUDING FREIGHT & LOCAL TAXES:

Customer:

AWE EUROPE LTD
Alexander House 3A, Blenheim Road
EPSOM
KT19 9AP
GB

Phone:

Email:

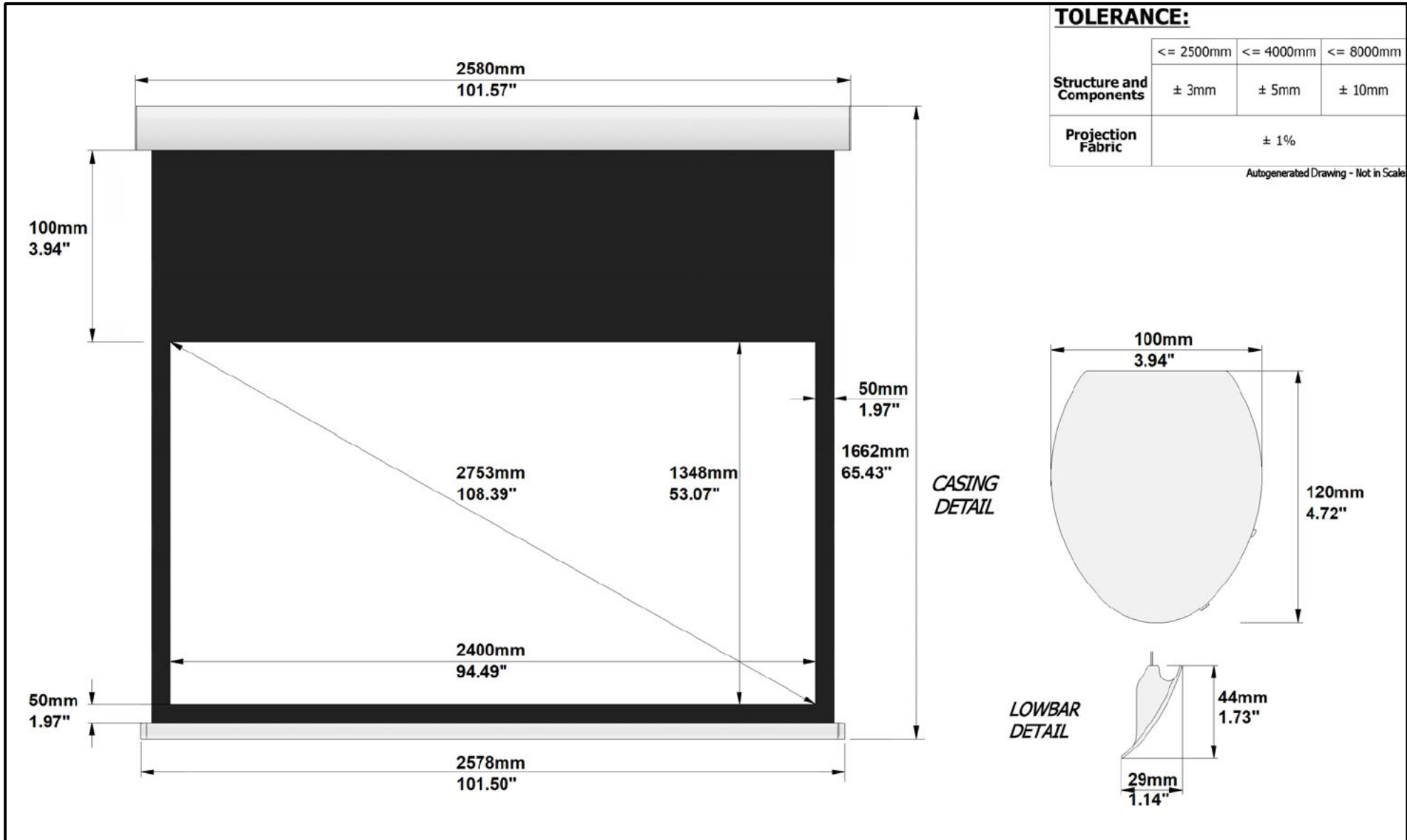
Website: www.awe-europe.com

Comments:

SCREEN CONFIGURATION SUMMARY

PROJECT: WP25-00096 - Rugby Plus VAC

SCREEN: PRONRUGBY-PLUS-01733 - 2400-RUGBY-PLUS-1.78-VAC-B05



TOLERANCE:

	<= 2500mm	<= 4000mm	<= 8000mm
Structure and Components	± 3mm	± 5mm	± 10mm
Projection Fabric	± 1%		

Autogenerated Drawing - Not in Scale

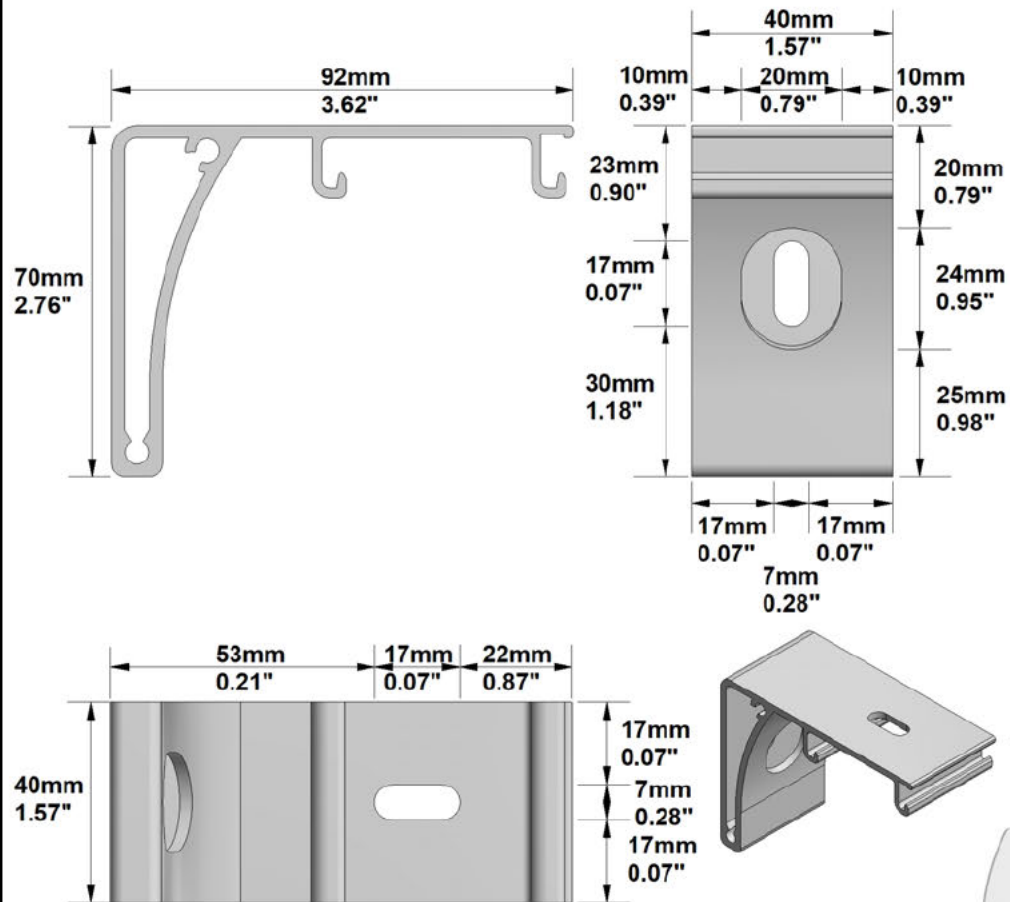
SCREEN CONFIGURATION SUMMARY

PROJECT: WP25-00096 - Rugby Plus VAC

SCREEN: PRONRUGBY-PLUS-01733 - 2400-RUGBY-PLUS-1.78-VAC-B05

Autogenerate drawing - Not in scale

MOUNTING BRACKET AND INSTALLATION VIEW:

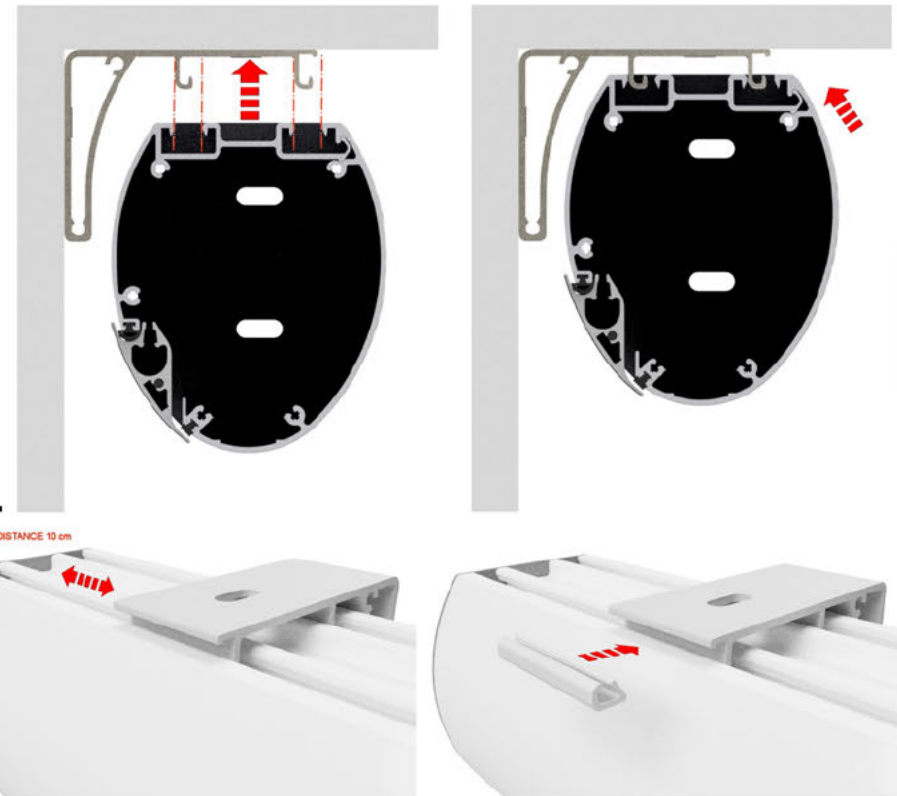


PACKAGING INFORMATION:

ESTIMATED SCREEN NET WEIGHT: 21.30Kg
46.90Lbs

ESTIMATED SHIPPING DIMENSIONS				NUMBER OF BOXES	ESTIMATED SHIPPING WEIGHT	
LENGTH	DEPTH	HEIGHT	PALLET HEIGHT		kg	Lbs
mm	2760mm	150mm	180mm	1	23.90	52.58
inches	108.66"	5.91"	7.09"		46.90	

1. FIX THE BRACKET ON THE WALL, AFTER INSERT THE CASING IN THE BRACKETS
2. INSERT THE BLOCKS SYSTEM BETWEEN THE CASING AND THE BRACKETS



NUMBER OF BRACKETS

SCREEN OVERALL <= 2580mm	2
SCREEN OVERALL > 2580mm	3