

# SCREEN CONFIGURATION SUMMARY

PROJECT: WP25-00212 - INCEEL 108 RG2

SCREEN: PRININCEEL-04921 - 2400-INCEEL-1.78-RG2-B05

## SCREEN:

PRININCEEL-04921  
Description: 2400-INCEEL-1.78-RG2-B05  
Description 2: Overall size 2.670X1.649 mm  
Screen Model: Inceel  
Native Aspect Ratio: 1.78 Widescreen TV (16:9)  
Fabric: Reference Grey 2  
Screen Finishing: Border 5  
Dimension Range: 2400 mm Viewing Area

## OPTIONS:

Total Drop: Drop from 101 - 200 mm  
Fabric roll assembly: Back fall  
Screen finish option: White Matte  
Screen mechanism: Somfy standard motor  
Mechanism position option: Right  
Voltage: 230V 50Hz  
Instructions: Adeo Screen Manual

## ACCESSORIES:

	QTY
Control System:	
AROL0004: Interface RS232-RF-12V-Dry contact for Screen	1

## TOTAL, EXCLUDING FREIGHT & LOCAL TAXES:

### Customer:

AWE EUROPE LTD  
Alexander House 3A, Blenheim Road  
EPSOM  
KT19 9AP  
GB

Phone: [REDACTED]

Email: [REDACTED]

Website: [www.awe-europe.com](http://www.awe-europe.com)

### Comments:

# SCREEN CONFIGURATION SUMMARY

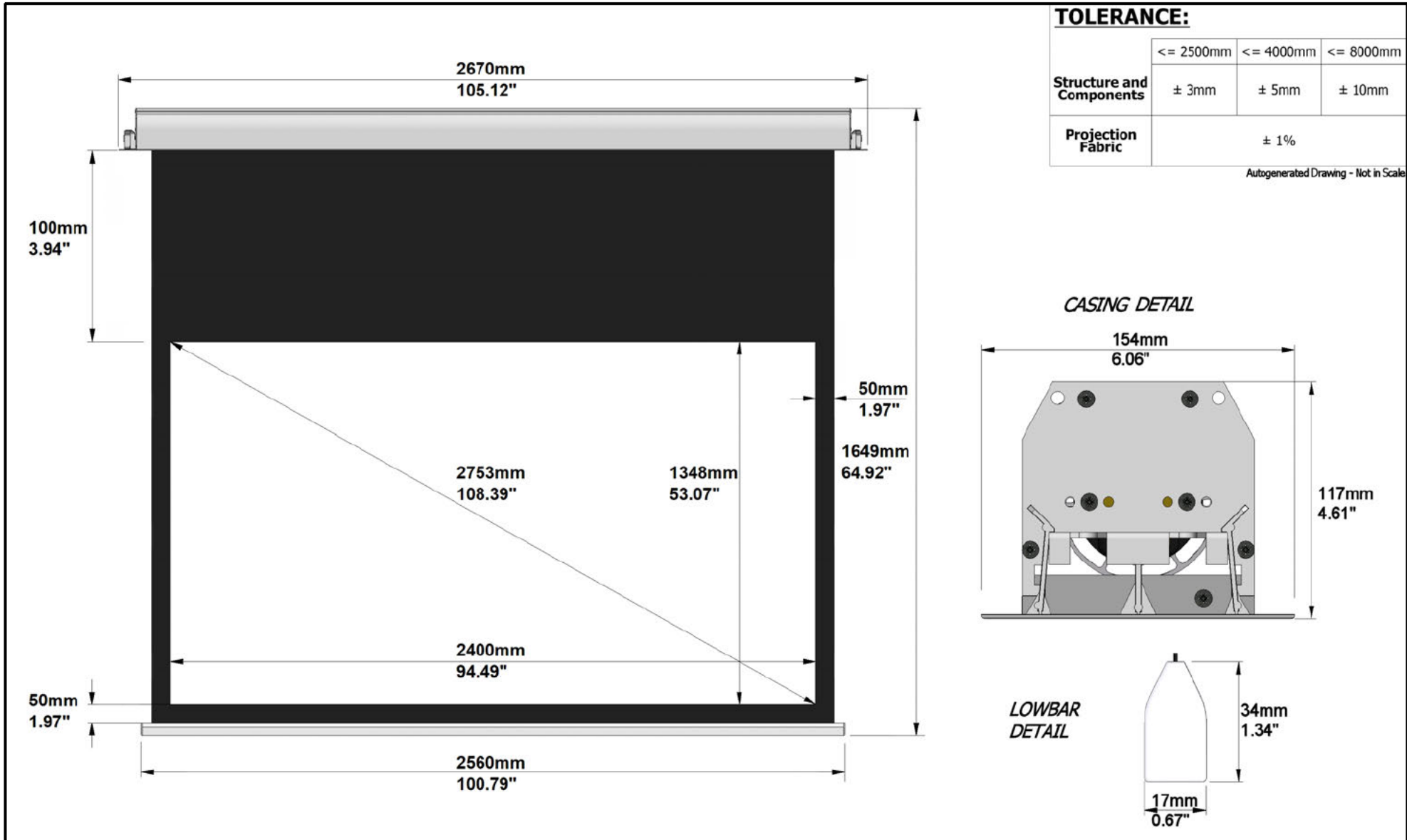
PROJECT: WP25-00212 - INCEEL 108 RG2

SCREEN: PRININCEEL-04921 - 2400-INCEEL-1.78-RG2-B05

## TOLERANCE:

	<= 2500mm	<= 4000mm	<= 8000mm
Structure and Components	± 3mm	± 5mm	± 10mm
Projection Fabric	± 1%		

Autogenerated Drawing - Not in Scale

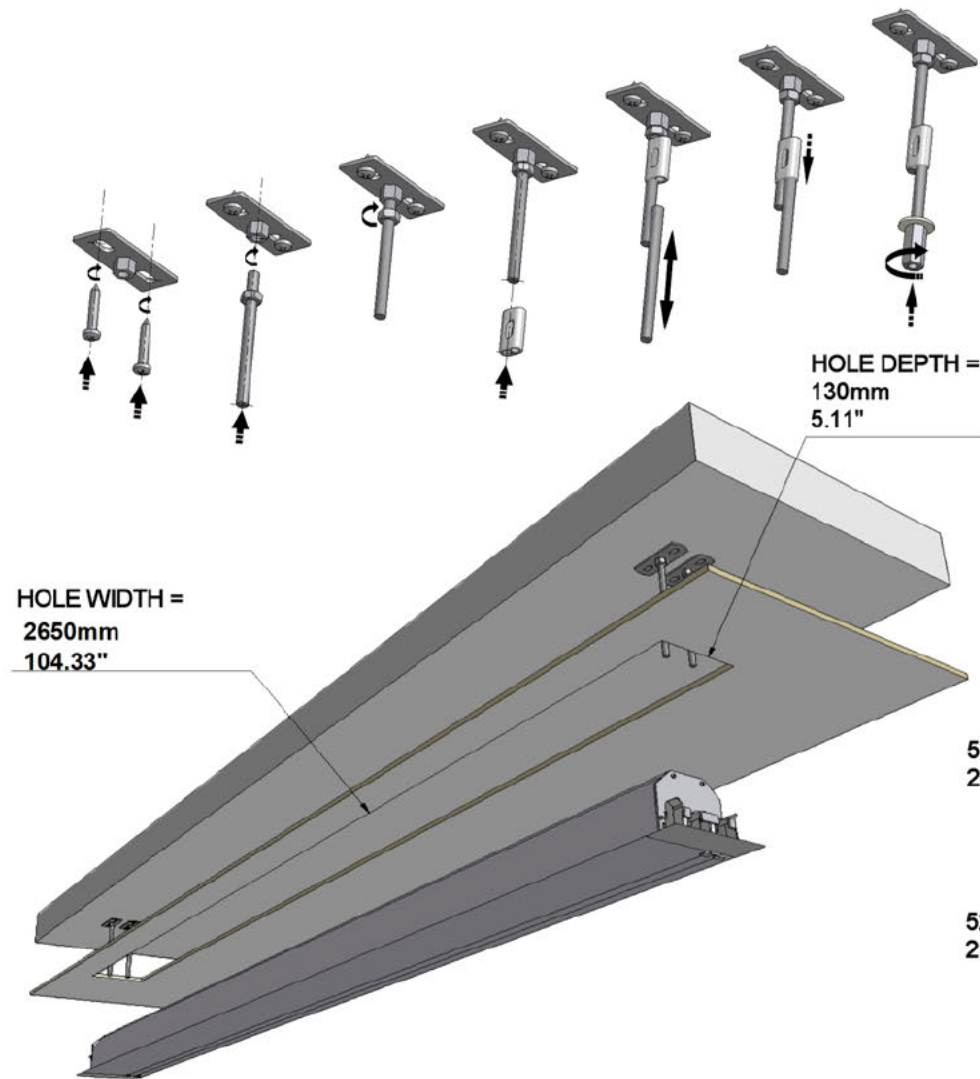


# SCREEN CONFIGURATION SUMMARY

PROJECT: WP25-00212 - INCEEL 108 RG2

SCREEN: PRININCEEL-04921 - 2400-INCEEL-1.78-RG2-B05

## MOUNTING BRACKET AND INSTALLATION VIEW:



## PACKAGING INFORMATION:

ESTIMATED SCREEN NET WEIGHT: 21.50Kg  
47.30Lbs

	ESTIMATED SHIPPING DIMENSIONS				NUMBER OF BOXES	ESTIMATED SHIPPING WEIGHT	
	LENGTH	DEPTH	HEIGHT	PALLET HEIGHT		kg	Lbs
mm	2720mm	200mm	210mm	320mm	1	23.90	52.58
inches	107.09"	7.87"	8.27"	12.60"		kg	Lbs

Autogenerated Drawing - Not in Scale

