

# SCREEN CONFIGURATION SUMMARY

PROJECT: WP23-00549 - MovieMaskLR 2500 240 AGRY

SCREEN: PFMAMMLR-00015 - 2500-MMLR-2.40-AGR

## SCREEN:

PFMAMMLR-00015

Description: 2500-MMLR-2.40-AGR  
Description 2: Overall size 2.720x1.262 mm  
Screen Model: MovieMask LR  
Native Aspect Ratio: 2.40 Blu-Ray scope (12:5)  
Fabric: Ambient Grey  
Dimension Range: 2500mm

## OPTIONS:

Screen Mechanism: Nice Radio Integrated Standard  
Power Plug: British Power Plug  
Voltage: 230V 50Hz  
Instructions: Adeo Screen Manual

## ACCESSORIES:

QTY

Control System:  
AROL0004: Interface RS232-RF-12V-Dry contact for Screen - 1 interface control 1 motor (for Biformat 2 interface) 1

## TOTAL, EXCLUDING FREIGHT & LOCAL TAXES:

### Customer:

AWE EUROPE LTD  
Alexander House 3A, Blenheim Road  
EPSOM  
KT19 9AP  
GB

Phone:

Email:

Website: [www.awe-europe.com](http://www.awe-europe.com)

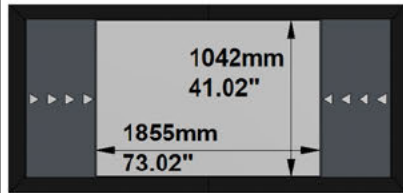
### Comments:

# SCREEN CONFIGURATION SUMMARY

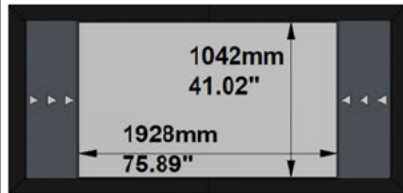
PROJECT: WP23-00549 - MovieMaskLR 2500 240 AGRY

SCREEN: PFMAMMLR-00015 - 2500-MMLR-2.40-AGR

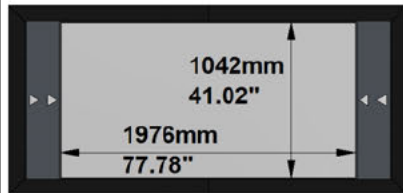
## AVAILABLE FORMATS:



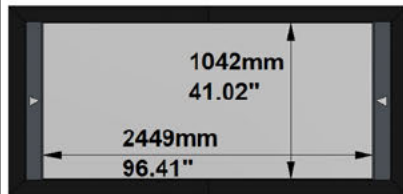
With Lateral Masking to 1.78:1 Aspect Ratio



With Lateral Masking to 1.85:1 Aspect Ratio

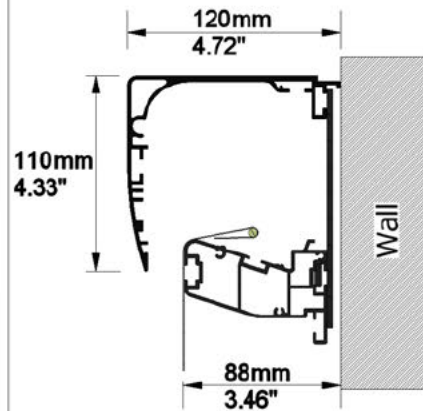


With Lateral Masking to 1.89:1 Aspect Ratio

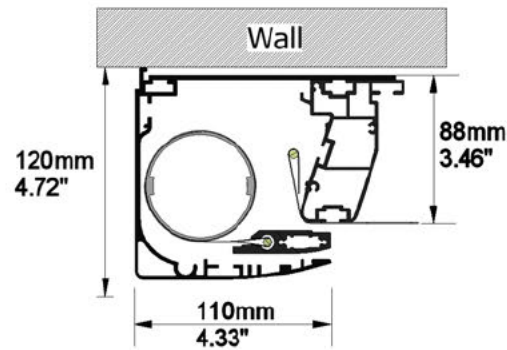


With Lateral Masking to 2.35:1 Aspect Ratio

## Cross Section A-A



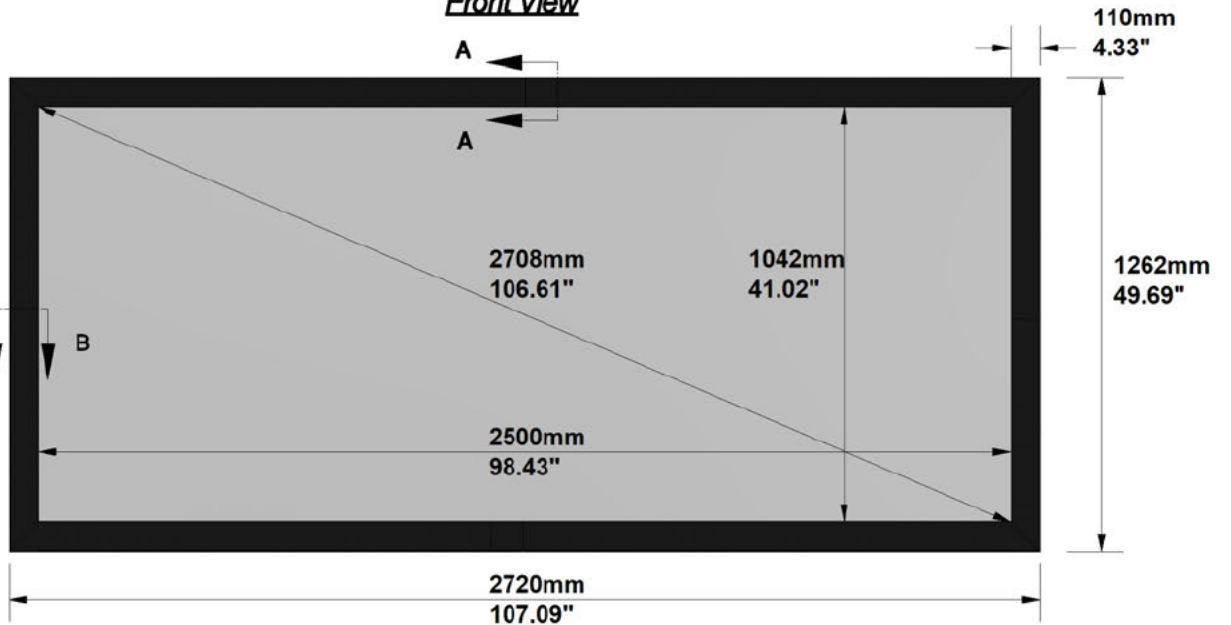
## Cross Section B-B



## Side View



## Front View



## FRAME and NATIVE IMAGE TOLERANCE:

UP TO	MM	INCHES
2500mm/98"	+/- 3mm	+/- 0.12"
4000mm/157"	+/- 5mm	+/- 0.20"
8000mm/315"	+/- 10mm	+/- 0.39"

HOUSING TOLERANCE:		
UP TO	MM	INCHES
2500mm/98"	+/- 9mm	+/- 0.35"
4000mm/157"	+/- 15mm	+/- 0.59"
8000mm/315"	+/- 30mm	+/- 1.18"

Autogenerated Drawing - Not in Scale

# SCREEN CONFIGURATION SUMMARY

PROJECT: WP23-00549 - MovieMaskLR 2500 240 AGRY

SCREEN: PFMAMMLR-00015 - 2500-MMLR-2.40-AGR

