

SCREEN CONFIGURATION SUMMARY

PROJECT: WP25-00281 - Rugby Plus 154 VAC

SCREEN: PRONRUGBY-PLUS-01751 - 3400-RUGBY-PLUS-1.78-VAC-B05

SCREEN:

PRONRUGBY-PLUS-01751

Description: 3400-RUGBY-PLUS-1.78-VAC-B05
Description 2: Overall size 3.580x2.254 mm
Screen Model: Rugby Plus
Native Aspect Ratio: 1.78 Widescreen TV (16:9)
Fabric: Vision Acoustik
Screen Finishing: Border 5
Dimension Range: 3400 mm Viewing Area

OPTIONS:

Fabric roll assembly: Back fall
Screen finish option: White Matte
Screen mechanism: Somfy standard motor
Mechanism position option: Right
Voltage: 230V 50Hz
Instructions: Adeo Screen Manual

ACCESSORIES:

QTY

Control System:

AROL0004: Interface RS232-RF-12V-Dry contact for Screen

1

TOTAL, EXCLUDING FREIGHT & LOCAL TAXES:

Customer:

AWE EUROPE LTD
Alexander House 3A, Blenheim Road
EPSOM
KT19 9AP
GB

Phone:

Email:

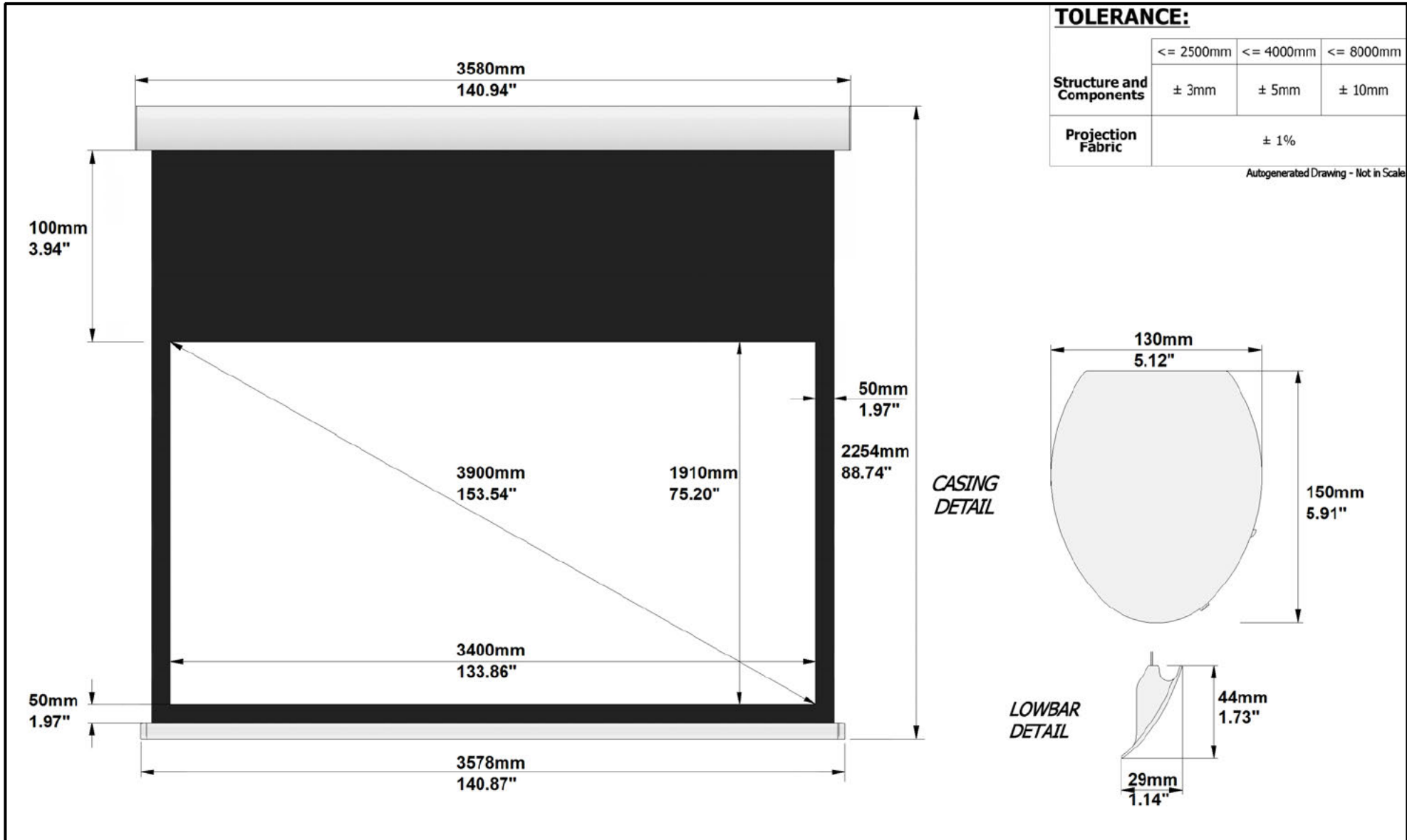
Website: www.awe-europe.com

Comments:

SCREEN CONFIGURATION SUMMARY

PROJECT: WP25-00281 - Rugby Plus 154 VAC

SCREEN: PRONRUGBY-PLUS-01751 - 3400-RUGBY-PLUS-1.78-VAC-B05



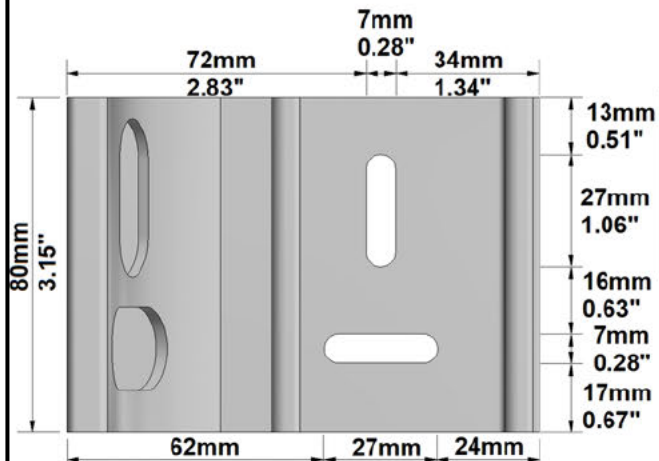
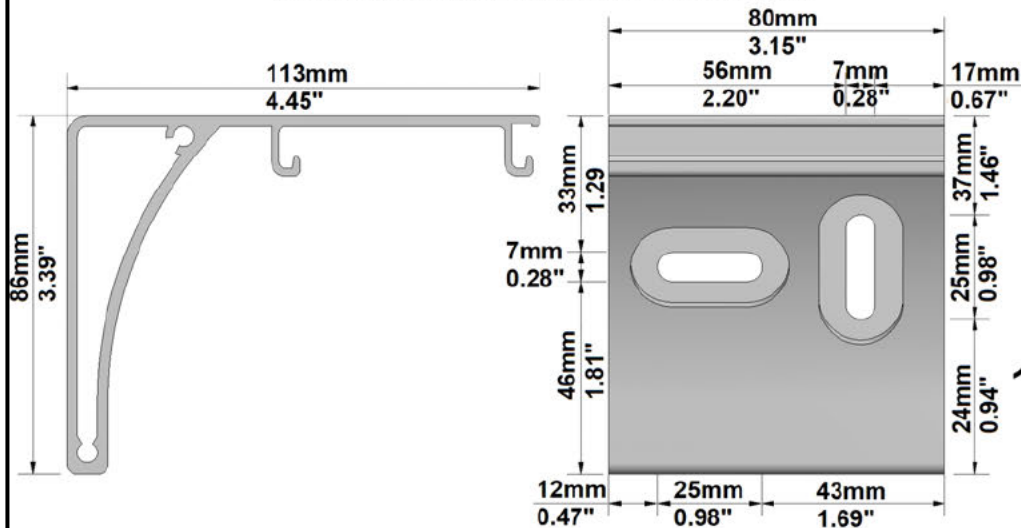
SCREEN CONFIGURATION SUMMARY

PROJECT: WP25-00281 - Rugby Plus 154 VAC

SCREEN: PRONRUGBY-PLUS-01751 - 3400-RUGBY-PLUS-1.78-VAC-B05

Autogenerate drawing - Not in scale

MOUNTING BRACKET AND INSTALLATION VIEW:



NUMBER OF BRACKETS

SCREEN OVERALL <= 2580mm	2
SCREEN OVERALL > 2580mm	3

PACKAGING INFORMATION:

ESTIMATED SCREEN NET WEIGHT: 37.20Kg
81.80Lbs

ESTIMATED SHIPPING DIMENSIONS				NUMBER OF BOXES	ESTIMATED SHIPPING WEIGHT
LENGTH	DEPTH	HEIGHT	PALLET HEIGHT		
mm	3760mm	200mm	210mm	1	kg 40.80
inches	148.03"	5.91"	7.09"		lbs 89.76

1. FIX THE BRACKET ON THE WALL, AFTER INSERT THE CASING IN THE BRACKETS
2. INSERT THE BLOCKS SYSTEM BETWEEN THE CASING AND THE BRACKETS

