

OLED M4

2024 models

OLED97M49LA

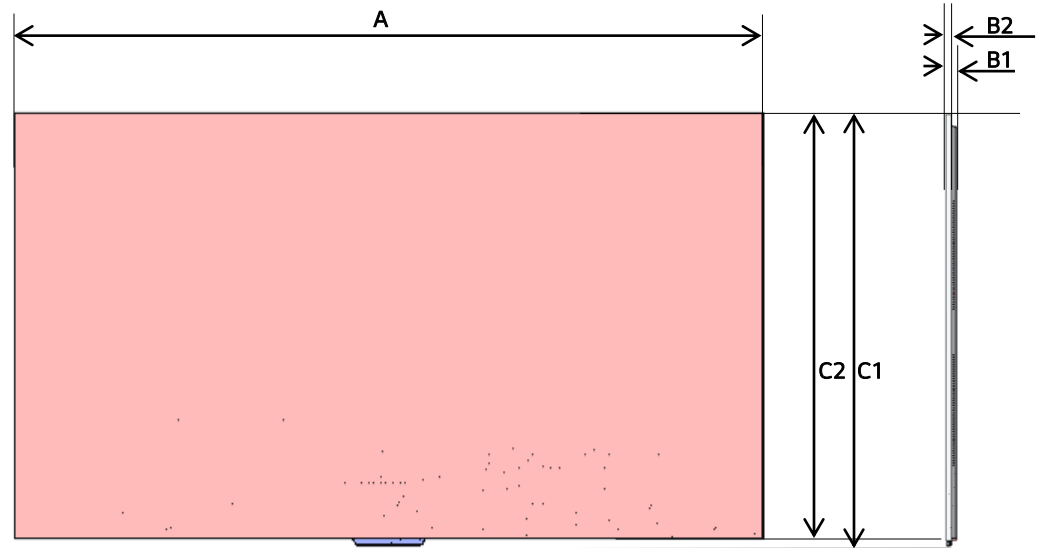
OLED83M49LA

OLED77M49LA

OLED65M49LA

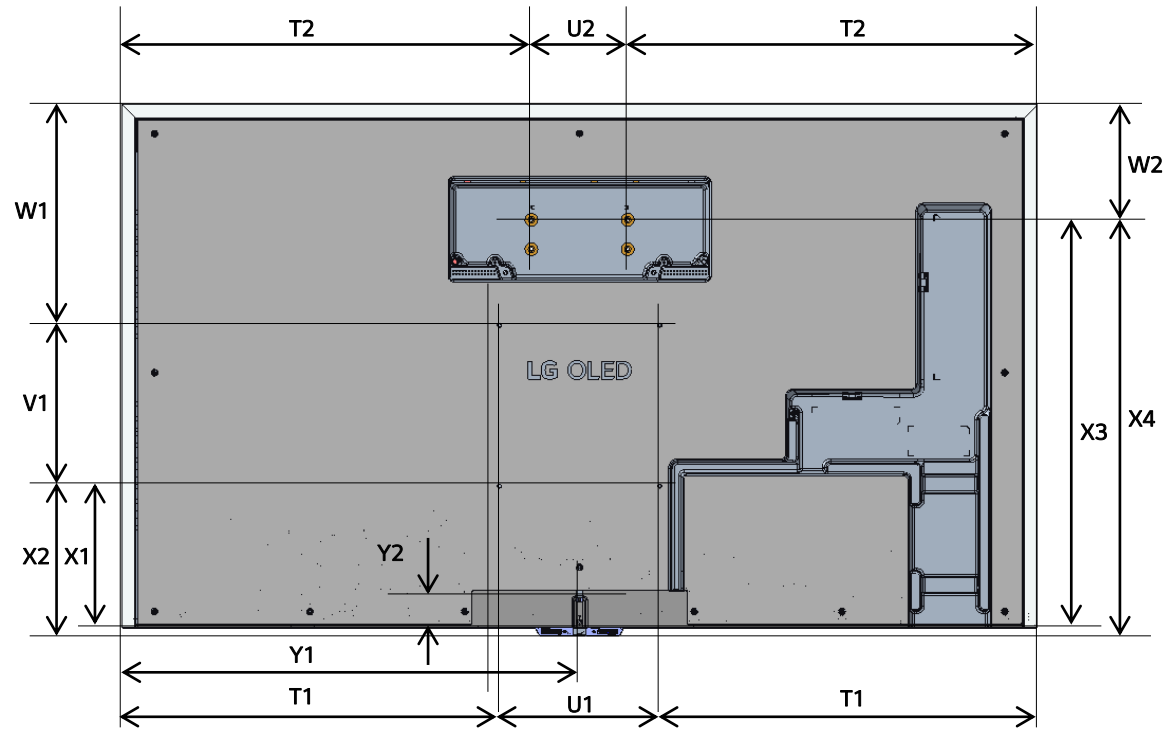
Front & Side View

FRONT (UNIT: mm)	65"	77"	83"	97"
A (Set Width : W)	1441	1712	1847	2155
B1 (Head, thickest depth : Wall mount surf.)	24.3	24.8	28.0	28.2
B2 (Head, slimmest depth)	13.6	13.6	13.6	13.6
C1 (Head height, Including protrusion: H)	836	992	1067	1240
C2 (Head height, Excluding protrusion)	821	976	1052	1223



Back View – 65/77/83"

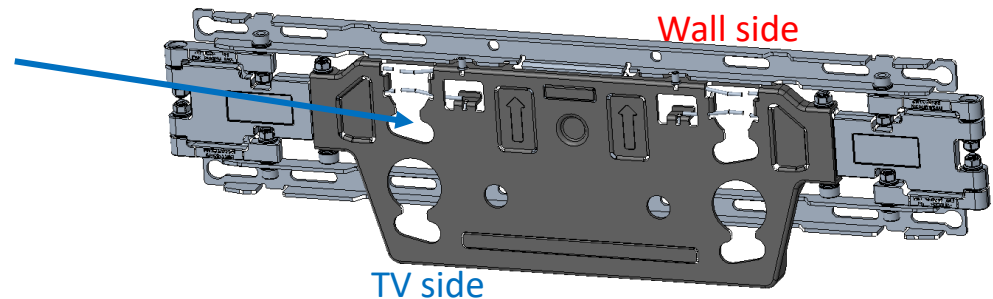
BACK (UNIT: mm)	65"	77"	83"
VESA holes dimensions			
T1 (Set Out ↔ Wall mount hole)	571	706	724
U1 (VESA Wall mount Width)	300	300	400
V1 (VESA Wall mount Height)	300	300	400
W1 (Set Top ↔ VESA Wall mount hole)	307	412	387
X1 (Set Bottom ↔ VESA Wall mount hole)	214	265	265
X2 (Set Max Bottom ↔ VESA Wall mount hole)	229	280	280
Included flush-fit wall mount brackets dimensions			
T2 (Set Out ↔ Wall mount bracket attach point)	631	766	834
U2 (Wall mount attach points Width)	180	180	180
W2 (Set Top ↔ Wall mount bracket attach point)	205	215	256
X3 (Set Bottom ↔ Wall mount bracket attach point)	616	761	796
X4 (Set Max Bottom ↔ Wall mount bracket attach point)	631	777	811
Power cord hole position dimensions			
Y1 (Head, Left side ~ Power Cord Hole Center)	721	856	924
Y2 (Head, bottom side ~ Power Cord Hole Center)	53	57	59



Note: back design of 65" varies slightly from above image.

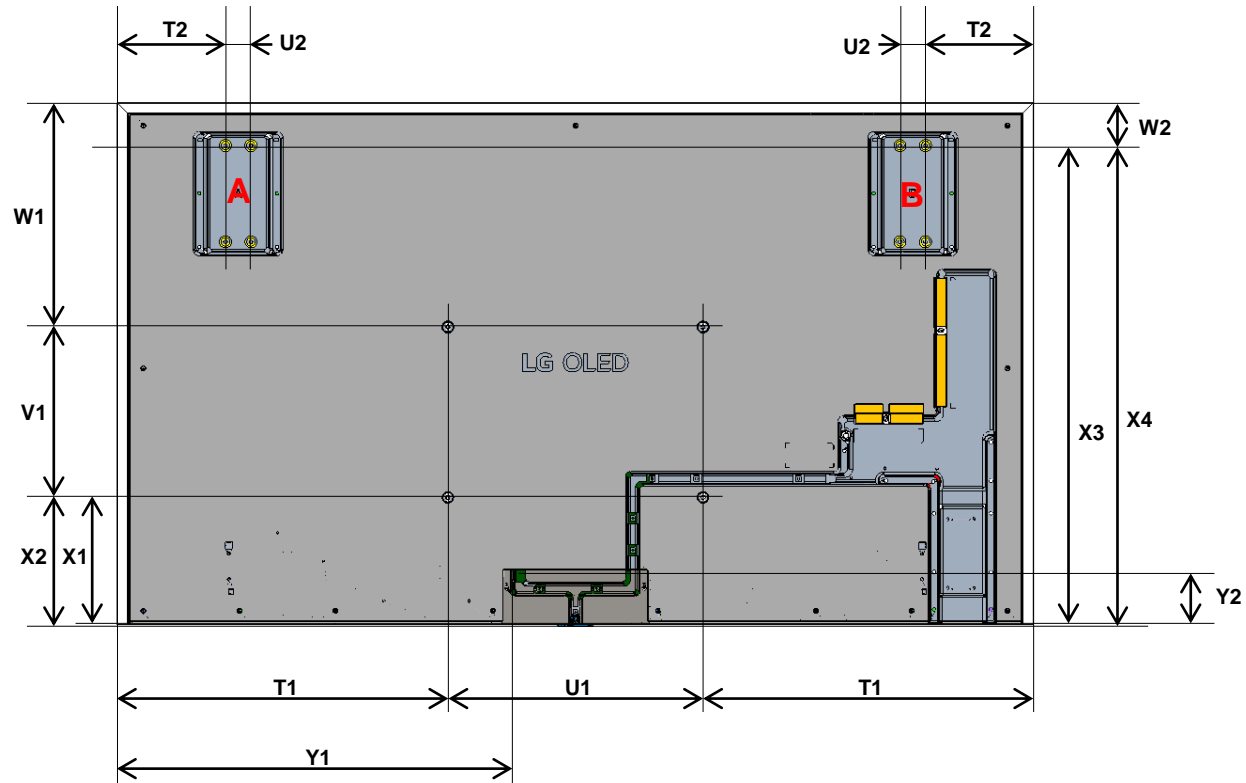
Note: flush-fit wall mount bracket (included with TV) attaches to points on the TV relating to T2, U2, W2, X3, X4 measurements. These points do not translate to attach points on the wall – the bracket has multiple options for securing to wall as shown in diagram. Use the included wall mount guide paper to position the bracket on the wall.

Other measurements above relate to standard VESA holes, which can be used with third party VESA brackets.



Back View – 97"

Dimensions (UNIT: mm)	97"
VESA holes dimensions	
T1 (Set Out ↔ VESA Wall mount hole)	777
U1 (VESA Wall mount Width)	600
V1 (VESA Wall mount Height)	400
W1 (Set Top ↔ VESA Wall mount hole)	527
X1 (Set Bottom ↔ VESA Wall mount hole)	298
X2 (Set Max Bottom ↔ VESA Wall mount hole)	313.5
Included flush-fit wall mount brackets dimensions	
T2 (Set Out ↔ Wall bracket outer attach point)	254
U2 (Wall bracket attach points Width)	60
W2 (Set Top ↔ Wall bracket top attach point)	101
X3 (Set Bottom ↔ Wall bracket top attach point)	1124
X4 (Set Max Bottom ↔ Wall bracket top attach point)	1139.5
Power cord hole position dimensions	
Y1 (Head, Left side ~ Power Cord Hole Center)	943
Y2 (Head, bottom side ~ Power Cord Hole Center)	142



Note: flush-fit wall mount brackets (shown left, included with the TV) attach to points on the TV relating to measurements indicated in the table above and as indicated by A and B in the TV diagram. These points do not translate to attach points on the wall – the brackets have multiple options for securing to wall as shown in diagram. Use the included wall mount guide paper to position the brackets on the wall and then select drill points.

Other measurements above relate to standard VESA holes, which can be used with third party VESA brackets.



AV Box

Size of AV Box (UNIT: mm)	
AH (Height, excluding rubber feet)	121.7
AD (Depth)	230
AW (Width)	230

