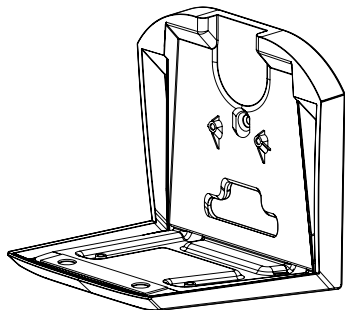


SANUS
A brand of **logant**

WSFME31 WSFME32

Fixed Speaker Wall Mount
For SONOS® Era 300™

INSTRUCTION MANUAL



We'll Make It Stress-Free

If you have any questions along the way, just give us a call.

US: +1 (800) 359-5520 • **EMEA:** +31 (0) 495 580 852 • **UK:** +44 (0) 800 056 2853

We're ready to help!

Texto en español, página 16

Deutscher Text Seiten 20

Svensk text sida 24

中文文字说明请参见第 28 页

Texte français page 18

Nederlandse tekst op pagina 22

Русский текст: стр. 26

日本語は 30 ページ

IMPORTANT SAFETY INSTRUCTIONS

— PLEASE READ ENTIRE MANUAL PRIOR TO USE — SAVE THESE INSTRUCTIONS

Before getting started, let's make sure this product is perfect for you!

This mount is designed to support only Sonos® Era 300™ speakers.

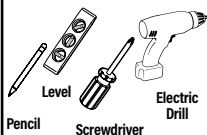
⚠ CAUTION: Avoid potential personal injuries and property damage!

- Check your speaker owner's manual to see if there are any special requirements for mounting your speaker.
- Please read through these instructions completely to be sure you're comfortable with this easy install process.
- Do not use this product for any purpose not explicitly specified by manufacturer.
- Manufacturer is not responsible for damage or injury caused by incorrect assembly or use.
- The wall must be capable of supporting five times the weight of the speaker and mount combined.
- If you do not understand these instructions or have doubts about the safety of the installation, assembly or use of this product, contact Customer Service at +1 (800) 359-5520 (EMEA: +31 (0) 495 580 852; UK: +44 (0) 800 056 2853).

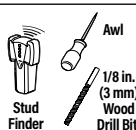
**Speaker Weight Limit
DO NOT EXCEED**



Tools Needed



Wood Stud Install



Concrete Install



Drywall Install

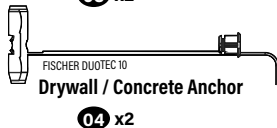
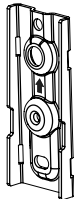
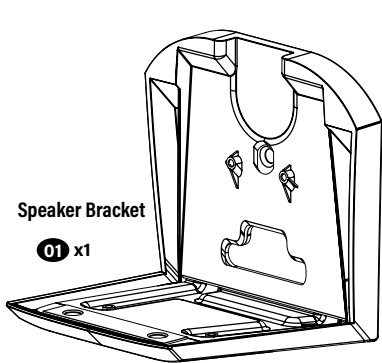


Supplied Parts and Hardware

⚠ WARNING: This product contains small items that could be a choking hazard if swallowed. Before starting assembly, verify all parts are included and undamaged. If any parts are missing or damaged, do not return the damaged item to your dealer; contact Customer Service. Never use damaged parts!

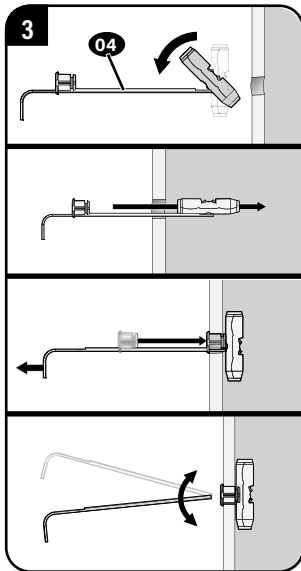
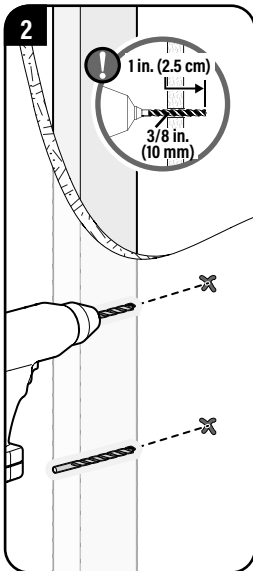
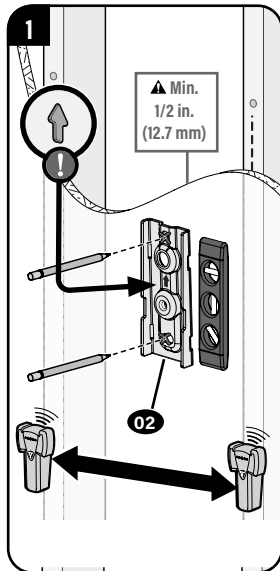
📄 NOTE: Not all hardware included will be used.

Quantities shown are for one speaker mount.



CAUTION: Avoid potential personal injury or property damage!

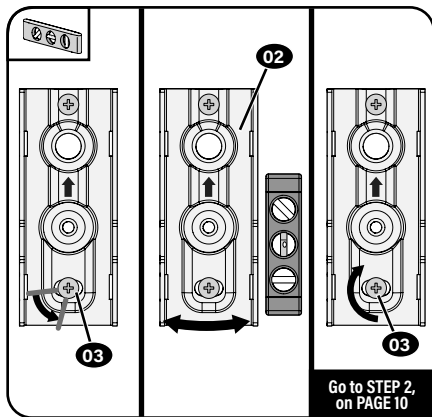
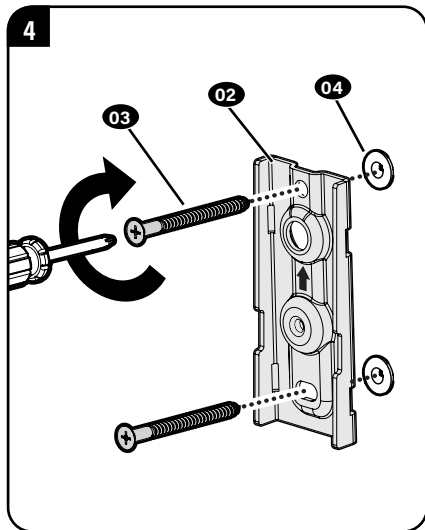
- Drywall covering the wall must not be less than 1/2 in. (12.7 mm)



⚠ CAUTION: Avoid potential personal injury or property damage!

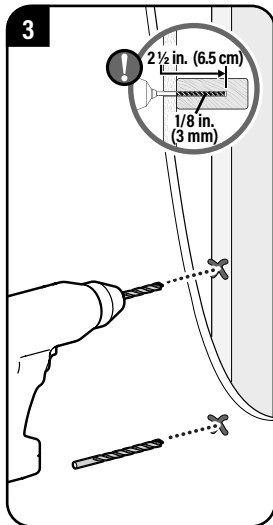
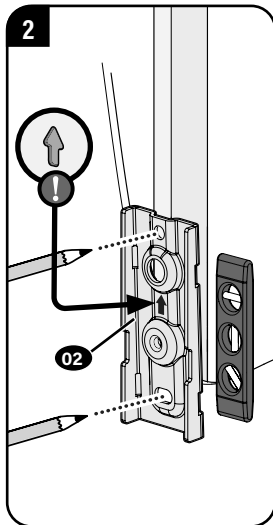
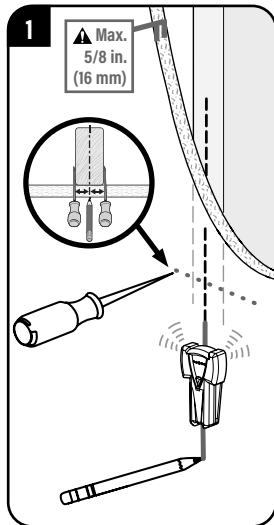
DO NOT use power tools for this step.

Both screws **03** MUST BE firmly tightened to prevent unwanted movement of the wall plate **04**. Ensure the wall plate is securely fastened to the wall before continuing on to the next step, but DO NOT overtighten the screws.



⚠ CAUTION: Avoid potential personal injury or property damage!

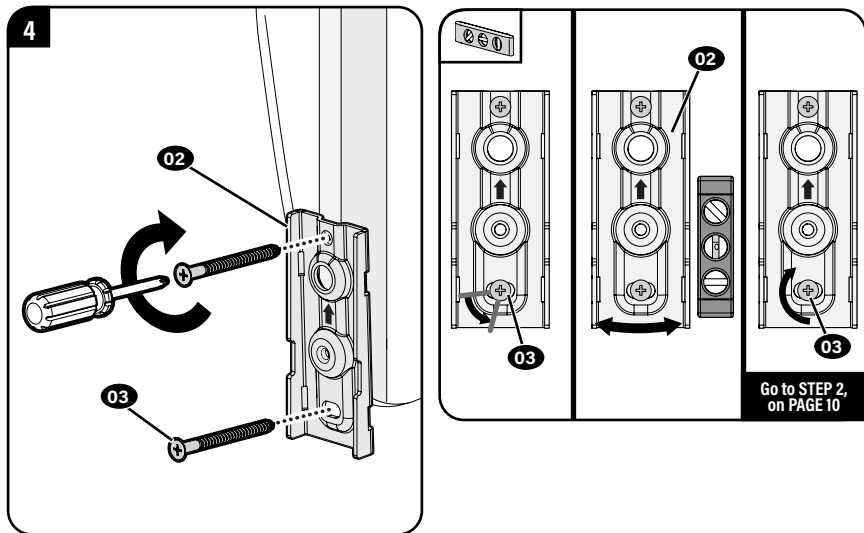
- Drywall covering the wall must not exceed 5/8 in. (16 mm)
- Minimum wood stud size: nominal 2 x 4 in. (51 x 102 mm) actual 1½ x 3½ in. (38 x 89 mm)
- Stud center must be verified



⚠ CAUTION: Avoid potential personal injury or property damage!

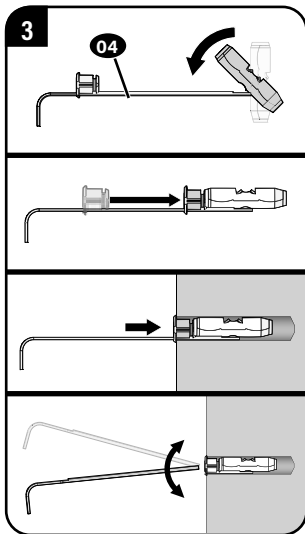
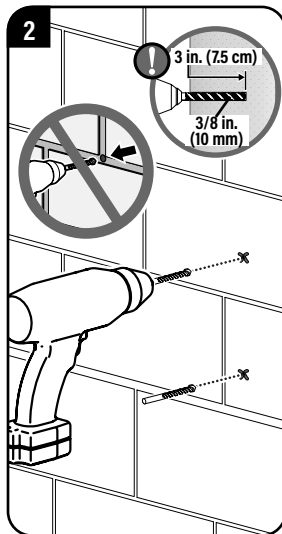
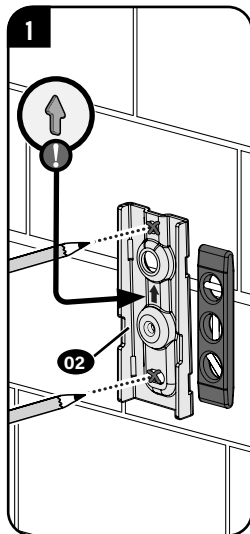
DO NOT use power tools for this step.

Both screws **03** MUST BE firmly tightened to prevent unwanted movement of the wall plate **02**. Ensure the wall plate is securely fastened to the wall before continuing on to the next step, but DO NOT overtighten the screws.



⚠ CAUTION: Avoid potential personal injury or property damage!

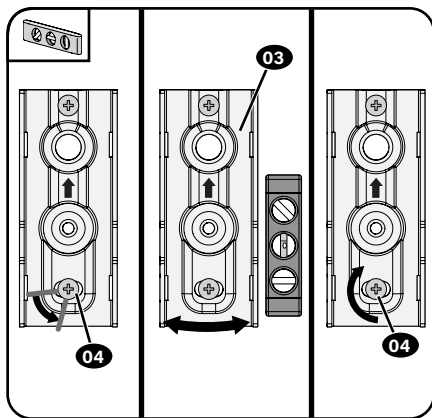
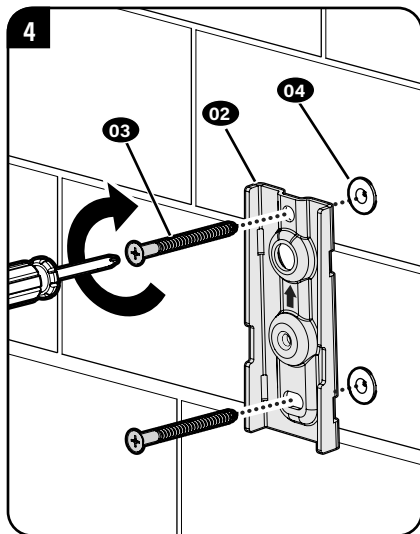
- Mount the wall plate **02** directly onto the concrete surface (no wall covering)
- Minimum **solid concrete** thickness: 8 in. (203 mm)
- Minimum **concrete block** size: 8 x 8 x 16 in. (203 x 203 x 406 mm)



⚠ CAUTION: Avoid potential personal injury or property damage!

DO NOT use power tools for this step.

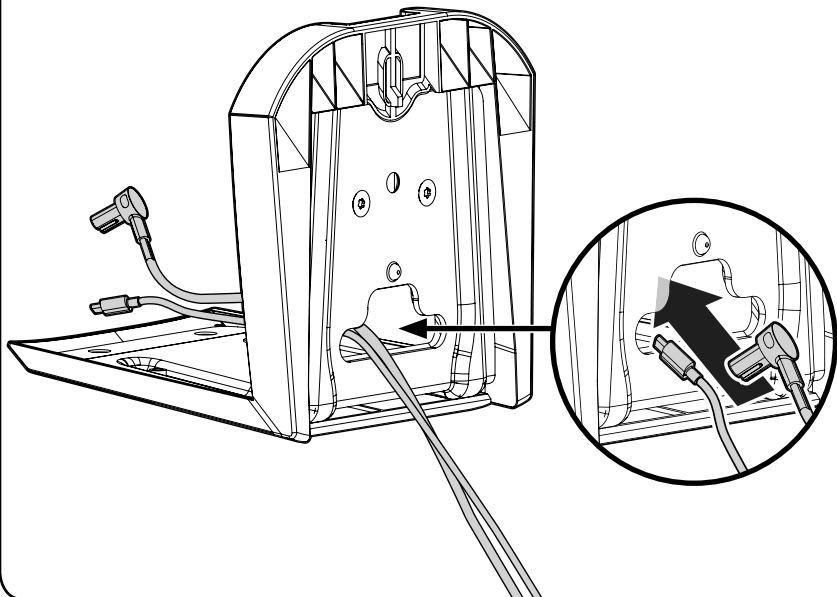
Both screws **03** MUST BE firmly tightened to prevent unwanted movement of the wall plate **02**. Ensure the wall plate is securely fastened to the wall before continuing on to the next step, but DO NOT overtighten the screws.



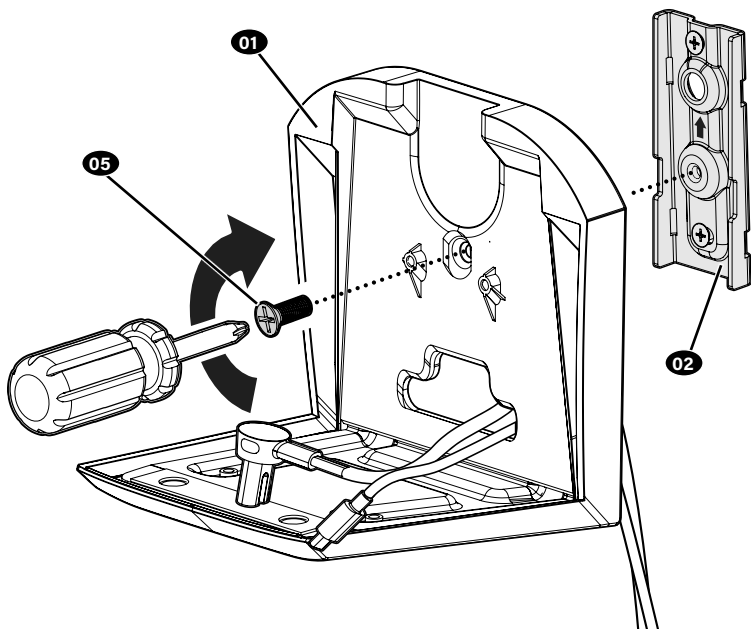
STEP 2

Attach Bracket to Wall Plate

1

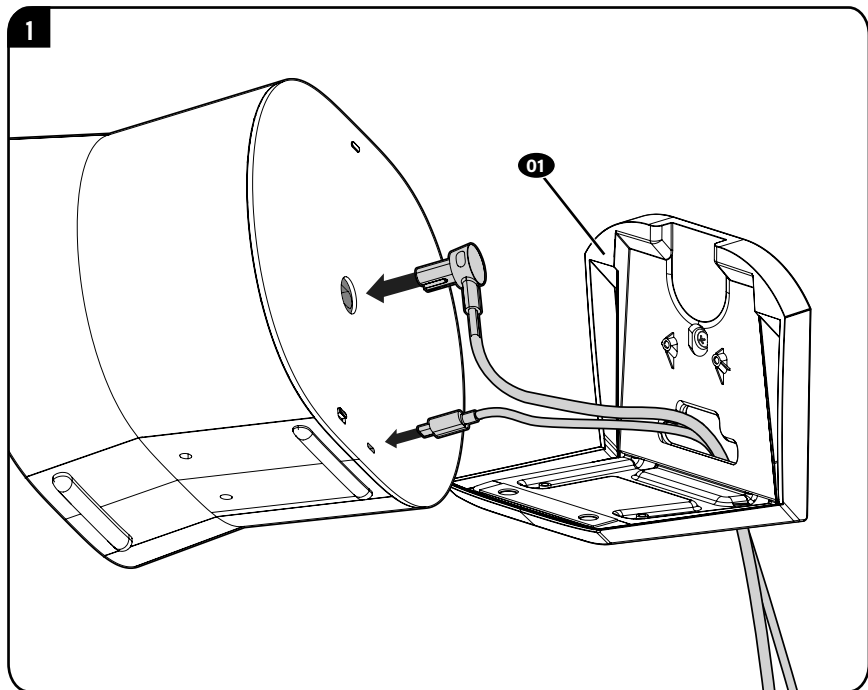


2



STEP 3

Attach Your Speaker



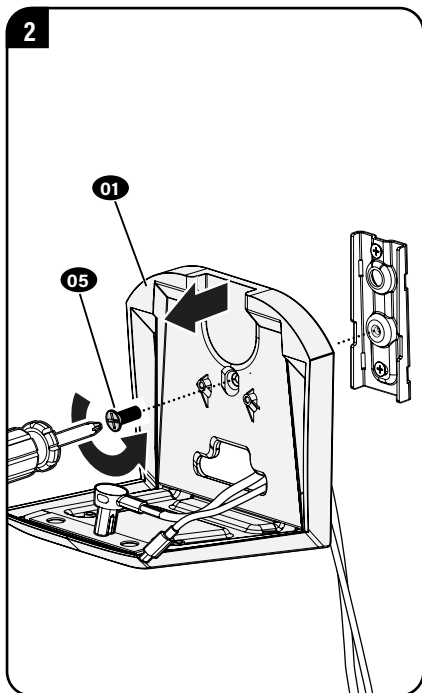
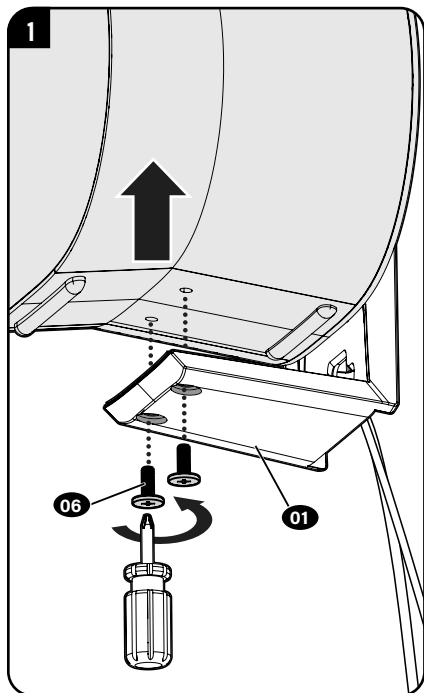
2

01

06

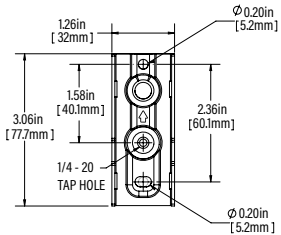


To Remove

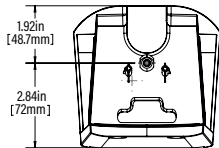


Dimensions

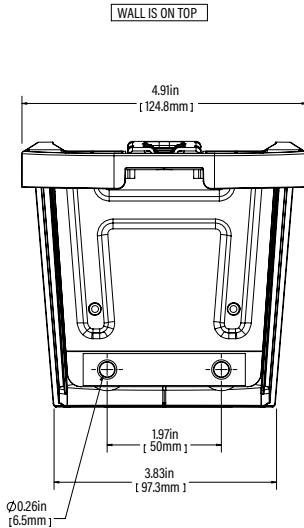
WALL PLATE



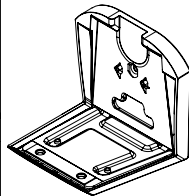
FRONT VIEW



TOP VIEW



3-D



SIDE VIEW

