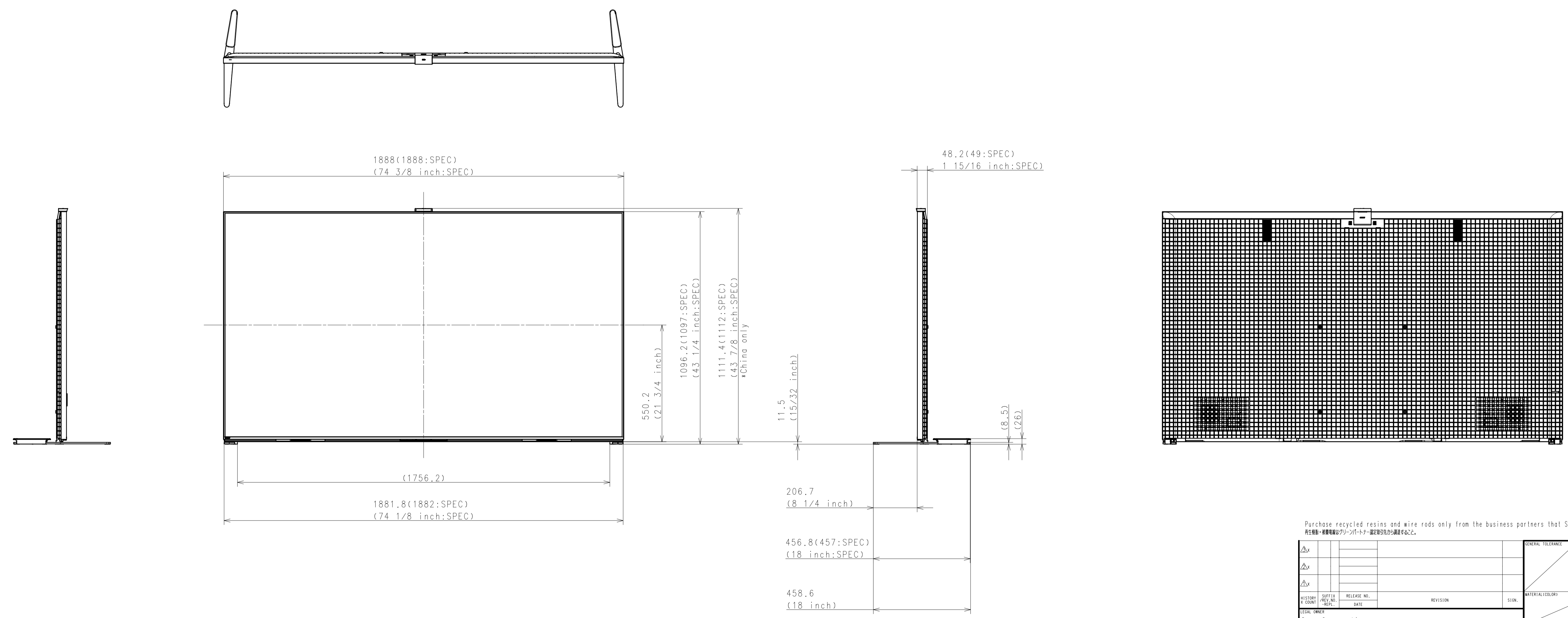


Area	JAPAN	NORTH AMERICA	EUROPE	GENERAL AREA + IN5 stand models	CHINA	IN5 Stand-less
Model Name	K-85XR90	K-85XR90	K-85XR90	K-85XR90	K-85XR90	K-85XR90
SV No.	SV-42136	SV-42113	SV-42131	SV-42199	SV-42220	SV-42153
DIMENSION	TV only (W x H x D)	188.8 x 108.5 x 4.9 (3.29) cm	1888 x 1085 x 49 (32.9) mm / 74 3/8 x 42 3/4 x 1 15/16 (1 5/16) inch	Approx. 188.8 x 108.5 x 4.9 (3.29) cm	Approx. 1888 x 1085 x 49 (32.9) mm	Approx. 1888 x 1085 x 49 (32.9) mm
	TV only with camera (W x H x D)	-	-	-	Approx. 1888 x 1100 x 53 (32.9) mm	-
	TV with Stand (Outside) (W x H x D)	188.8 x 109.7 x 45.7 cm	1888 x 1097 x 457 mm / 74 3/8 x 43 1/4 x 18 inch	Approx. 188.8 x 109.7 x 45.7 cm	Approx. 1888 x 1097 x 457 mm	-
	TV with Stand (Inside) (W x H x D)	188.8 x 109.7 x 45.7 cm	1888 x 1097 x 457 mm / 74 3/8 x 43 1/4 x 18 inch	Approx. 188.8 x 109.7 x 45.7 cm	Approx. 1888 x 1097 x 457 mm	-
	TV with Stand (Outside for Soundbar) (W x H x D)	188.8 x 115.8 x 45.7 cm	1888 x 1158 x 457 mm / 74 3/8 x 45 5/8 x 18 inch	Approx. 188.8 x 115.8 x 45.7 cm	Approx. 1888 x 1158 x 457 mm	-
	TV with Stand (Inside for Soundbar) (W x H x D)	188.8 x 115.8 x 45.7 cm	1888 x 1158 x 457 mm / 74 3/8 x 45 5/8 x 18 inch	Approx. 188.8 x 115.8 x 45.7 cm	Approx. 1888 x 1158 x 457 mm	-
	TV with Stand (Front position style) (W x H x D)	-	-	-	-	-
	TV with Stand (Back position style) (W x H x D)	-	-	-	-	-
	TV with Floor Stand (W x H x D)	-	-	-	-	-
	Stand Width (Outside)	188.2 cm	1882 mm / 74 1/8 inch	Approx. 188.2 cm	Approx. 1882 mm	-
	Stand Width (Inside)	75.3 cm	753 mm / 29 3/4 inch	Approx. 75.3 cm	Approx. 753 mm	-
	Stand Width (Outside for Soundbar)	188.2 cm	1882 mm / 74 1/8 inch	Approx. 188.2 cm	Approx. 1882 mm	-
	Stand Width (Inside for Soundbar)	75.3 cm	753 mm / 29 3/4 inch	Approx. 75.3 cm	Approx. 753 mm	-
	Stand Width (Front position style)	-	-	-	-	-
	Stand Width (Back position style)	-	-	-	-	-
	Floor Stand Width	-	-	-	-	-
	VESA Hole Pitch	40.0 x 40.0 cm	400 x 400 mm / 15 3/4 x 15 3/4 inch	40.0 x 40.0 cm	400 x 400 mm	400 x 400 mm
WEIGHT	TV Only	52.4 kg	52.4 kg / 115.5 lb	Approx. 52.4 kg	Approx. 52.4 kg	Approx. 52.4 kg
	TV with Stand (Outside)	55.7 kg	55.7 kg / 122.7 lb	Approx. 55.7 kg	Approx. 55.7 kg	-
	TV with Stand (Inside)	55.7 kg	55.7 kg / 122.7 lb	Approx. 55.7 kg	Approx. 55.7 kg	-
	TV with Stand (Outside for Soundbar)	55.7 kg	55.7 kg / 122.7 lb	Approx. 55.7 kg	Approx. 55.7 kg	-
	TV with Stand (Inside for Soundbar)	55.7 kg	55.7 kg / 122.7 lb	Approx. 55.7 kg	Approx. 55.7 kg	-
	TV with Stand (Front/Back position style)	-	-	-	-	-
	TV with Floor Stand	-	-	-	-	-
	Floor Stand weight (Supply)	-	-	-	-	-
	W-M't Br. Weight (Supply)	-	-	-	-	-
Remarks	4way	4way	4way	4way	4way	4way

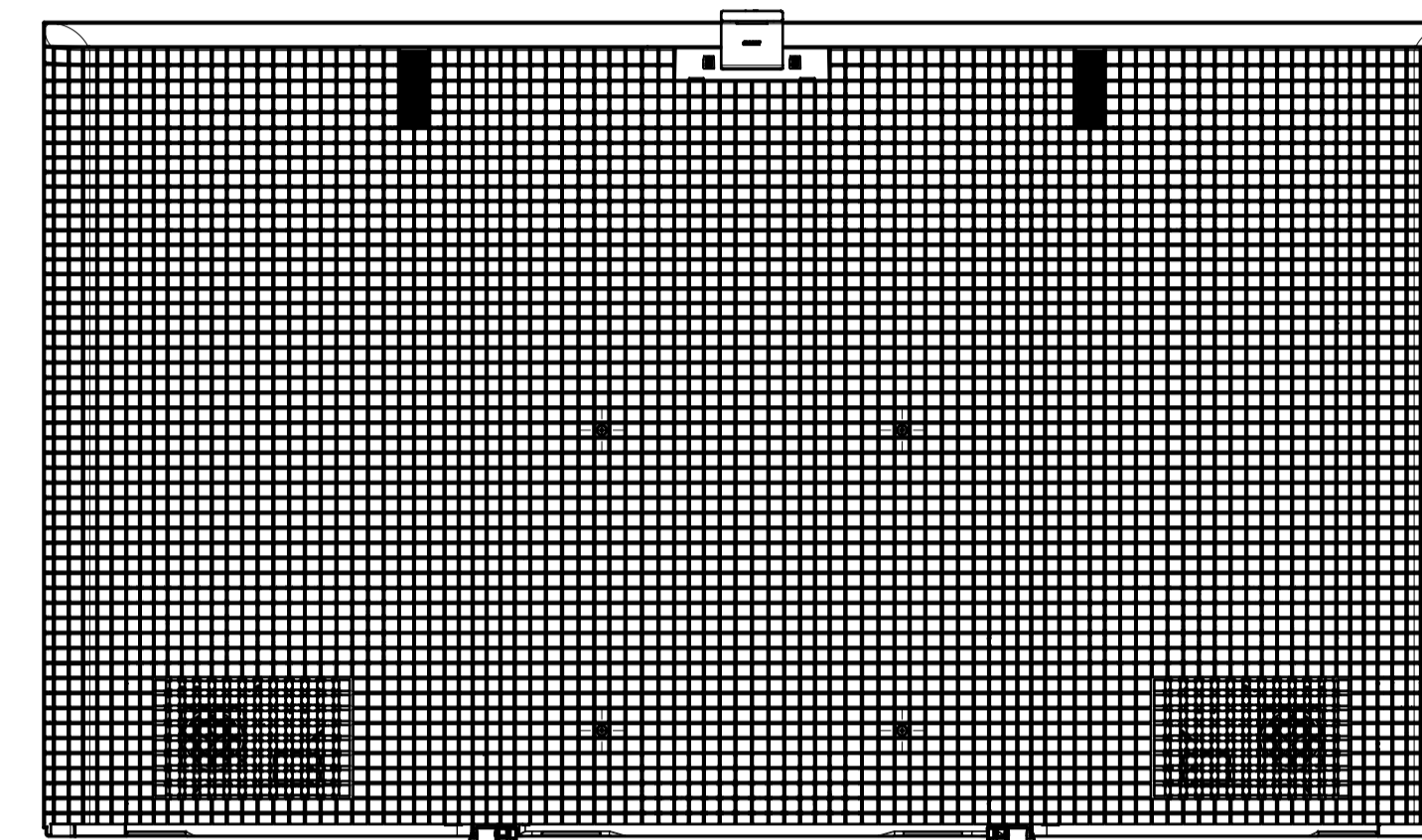
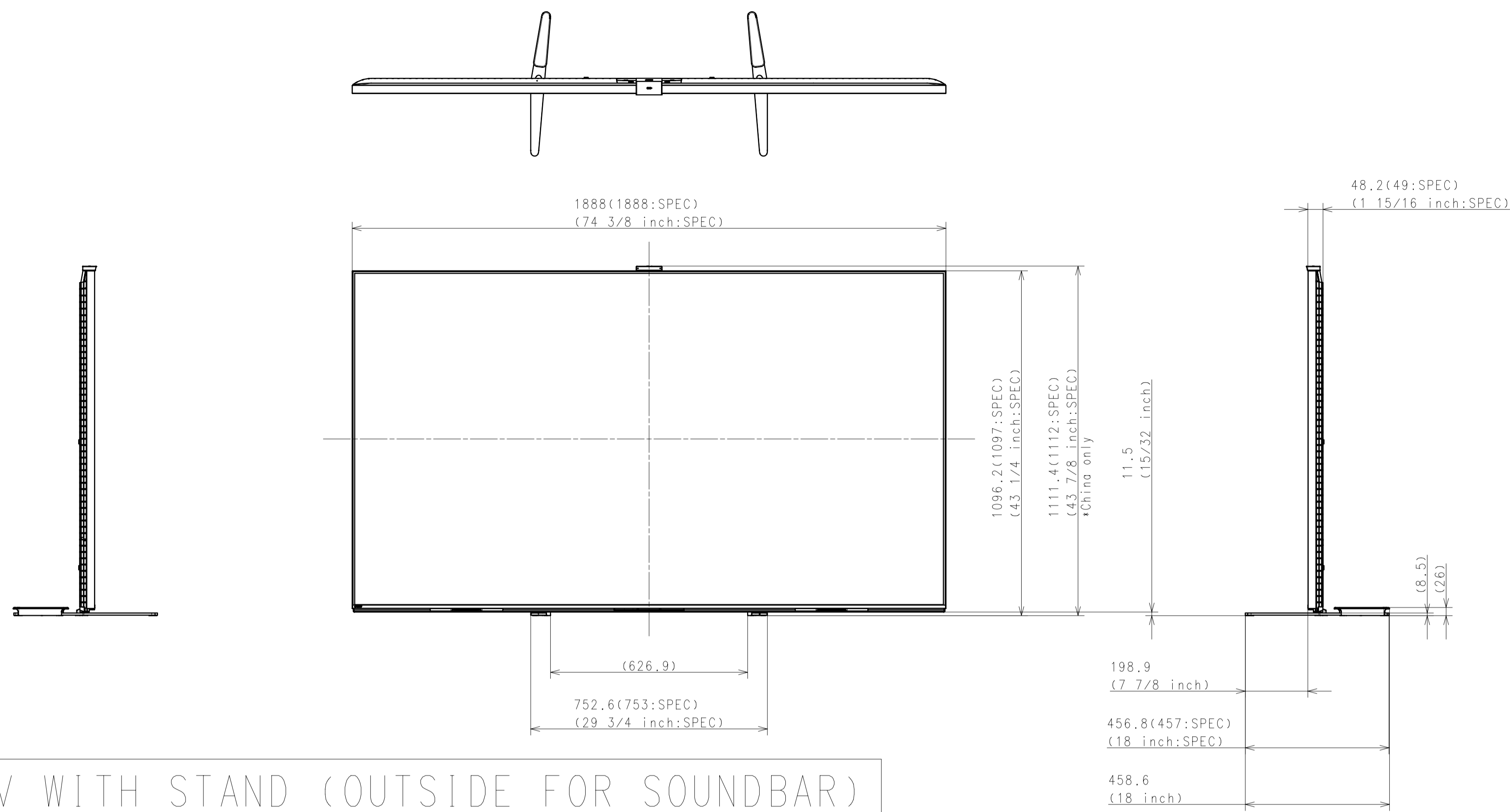
# TV WITH STAND (OUTSIDE)



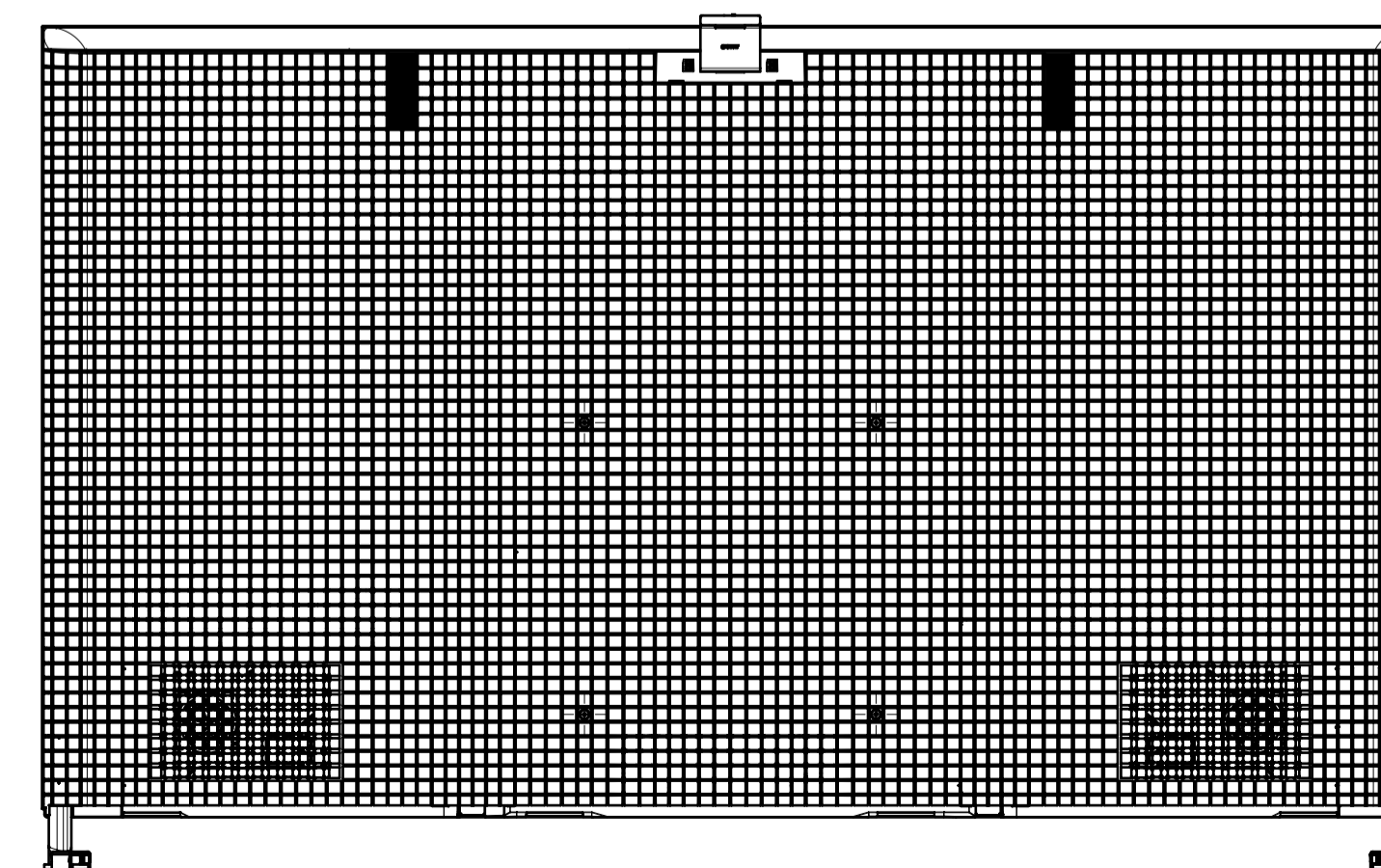
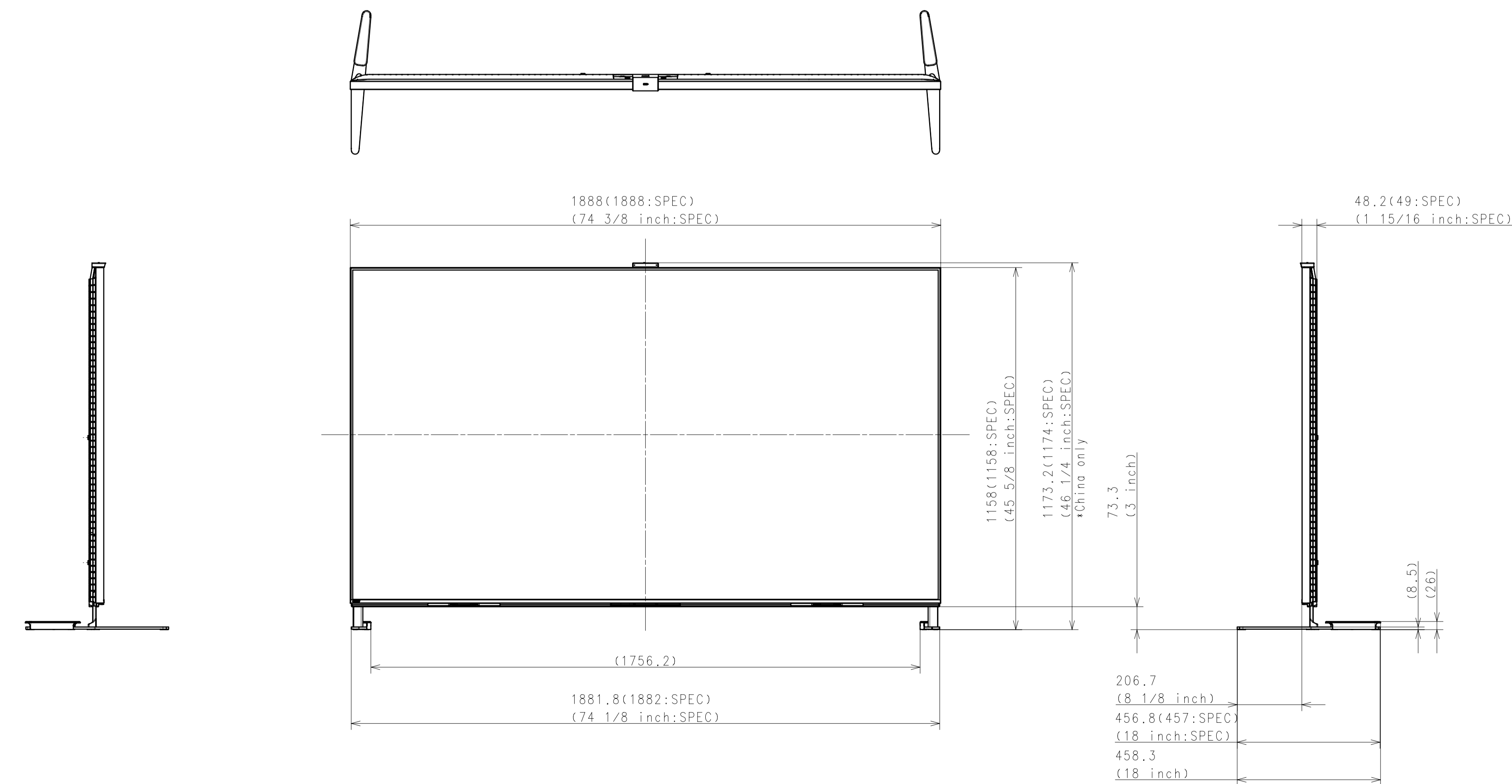
Purchase recycled resins and wire rods only from the business partners that Sony approves as Green Partners.  
再生樹脂・線材はソニーが承認したグリーンパートナーから購入してください。

DATE OF ISSUE 2024.01.24	DOCUMENT TYPE PART	TOLERANCING DRAWING	FINISH(COLOR)
SUFFIX REV. NO.		REVISION	SIGN.
MATERIAL(COLOR)			
FINISH(COLOR)			
RESPONSIBLE DEPARTMENT DTC_MD div1 MD dept1		ORIGINAL MODEL 85(XR90)	DESCRIPTION 85(XR90) EXTERIOR VIEW
PLANNED BY 2024.01.24 Kai Takahashi	CHECKED BY	APPROVED BY	SCALE 1:1
DRAWN BY 2024.01.24 Kai Takahashi	SIZE A1	UNIT mm	PAGE NO. 1 / 6

TV WITH STAND (INSIDE)

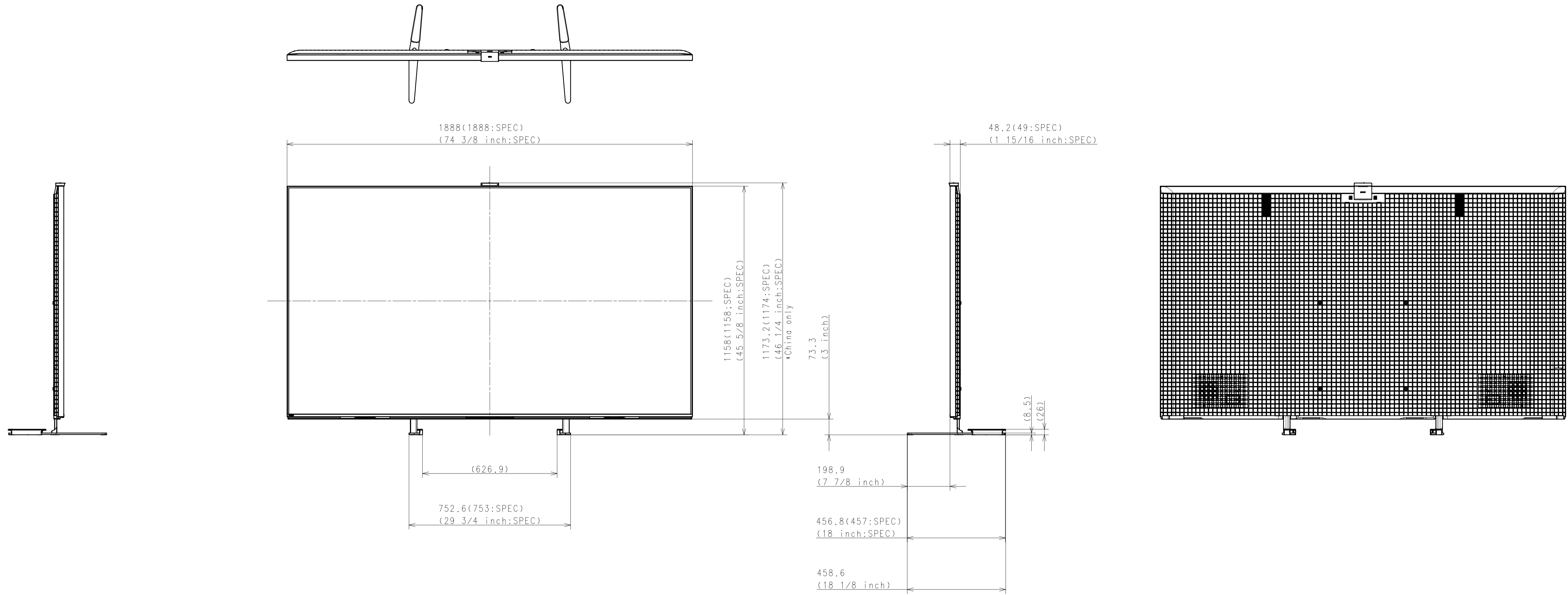


TV WITH STAND (OUTSIDE FOR SOUNDBAR)



DESCRIPTION 1	LEGAL OWNER	SCALE
85(XR90) EXTERIOR VIEW	Sony Corporation	T:1
DESCRIPTION 2	PART NO.	SHEET/PAGES
85(XR90) EXTERIOR VIEW		2 / 6

TV WITH STAND (INSIDE FOR SOUND BAR)

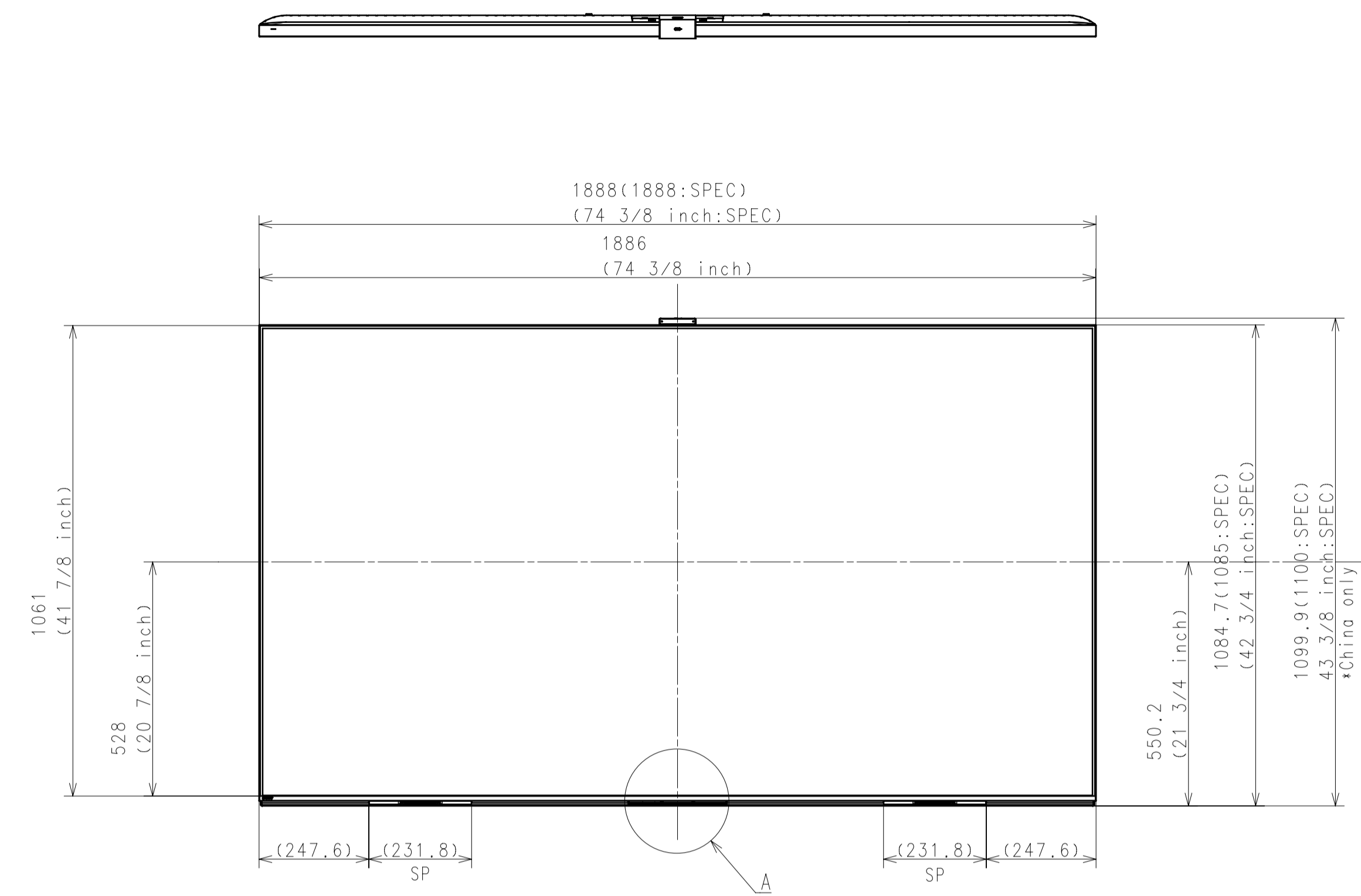


SONY STANDARD

A1 '18.08

DESCRIPTION 1	LEGAL OWNER	SCALE
85(XR90) EXTERIOR VIEW	Sony Corporation	1:1
DESCRIPTION 2	PART NO.	SHEET/PAGES
85(XR90) EXTERIOR VIEW		3/ 6

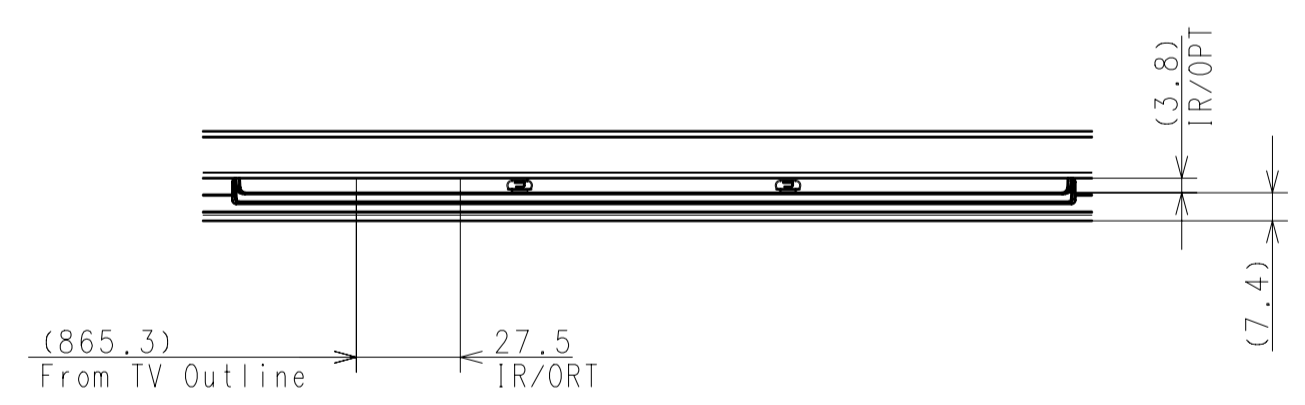
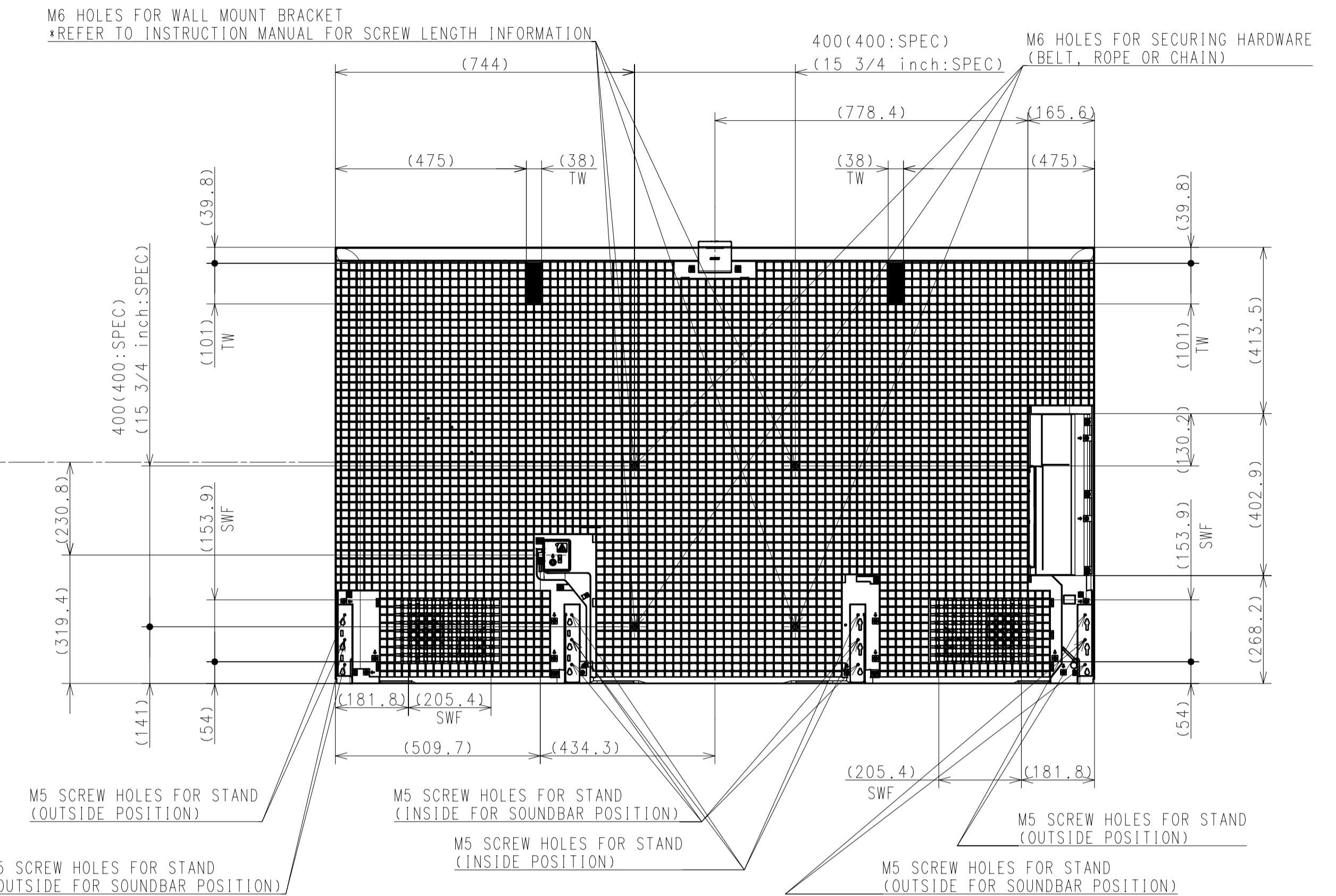
TV ONLY (WITHOUT STAND)



48.2 (49:SPEC)  
1 15/16 inch:SPEC

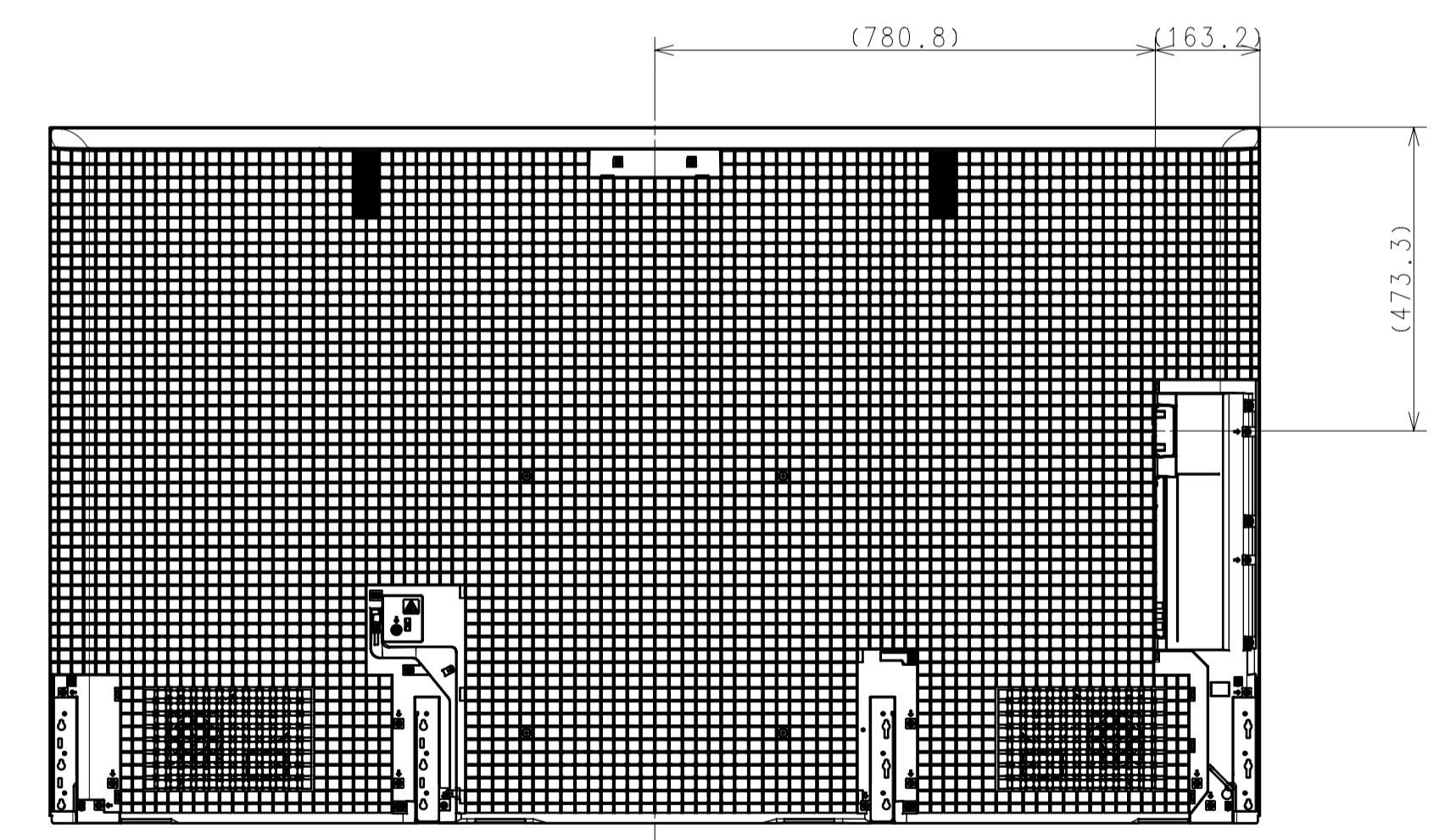
32.9 (33:SPEC)  
1 5/16 inch:SPEC

52.6 (53:SPEC)  
2 1/8 inch:SPEC  
\*China only



DETAIL A  
1:2

FOR EXPECT EUROPE



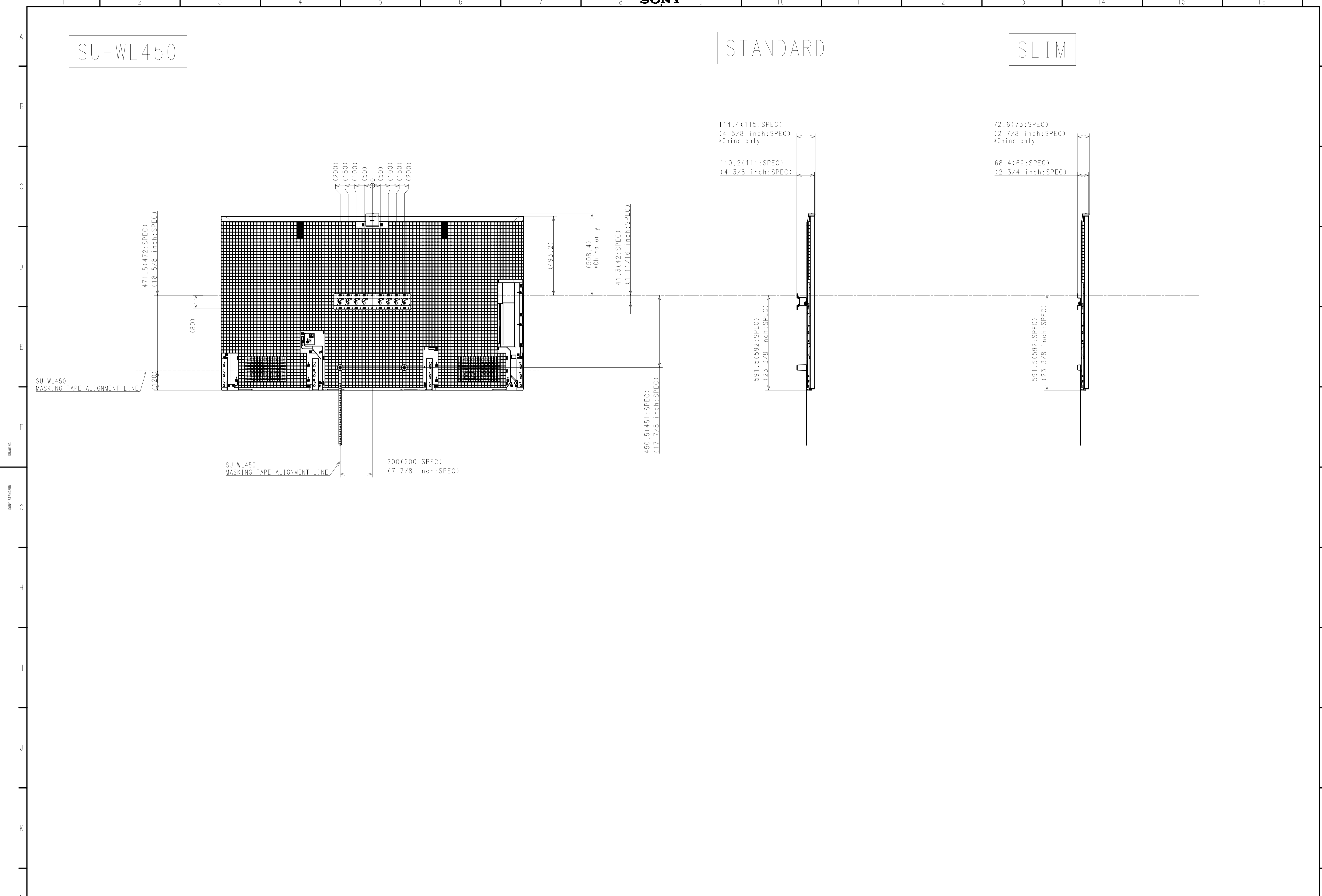
FOR EUROPE

DESCRIPTION 1	LEGAL OWNER	SCALE
85(XR90) EXTERIOR VIEW	Sony Corporation	T:1
DESCRIPTION 2	PART NO.	SHEET/PAGES
85(XR90) EXTERIOR VIEW		4 / 6

SU-WL450

STANDARD

SLIM

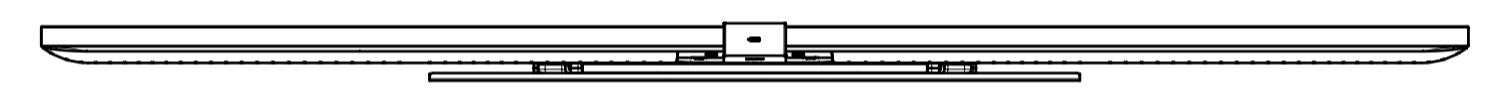
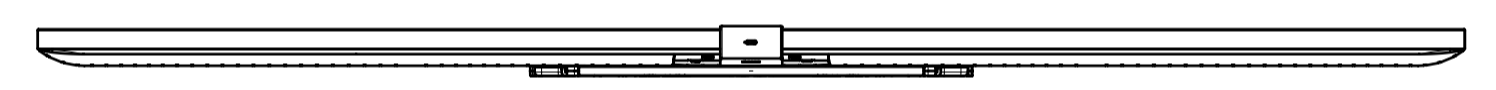
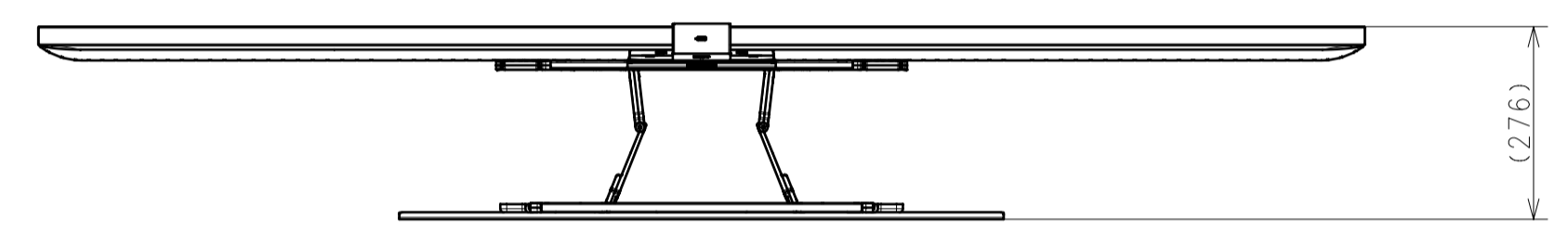
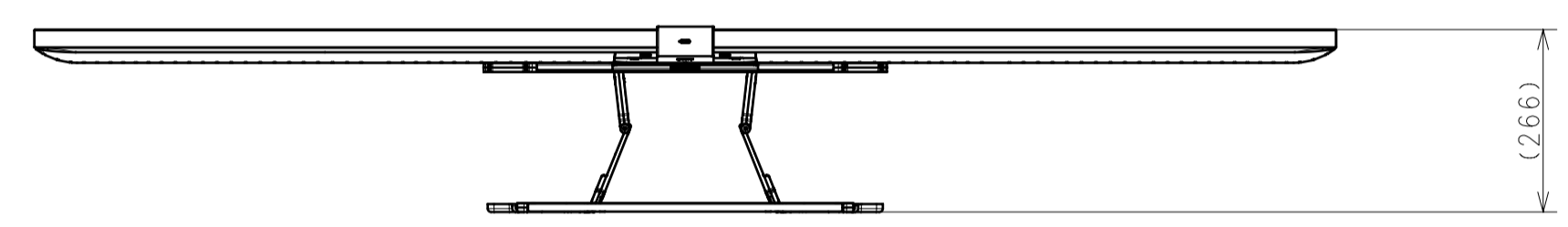
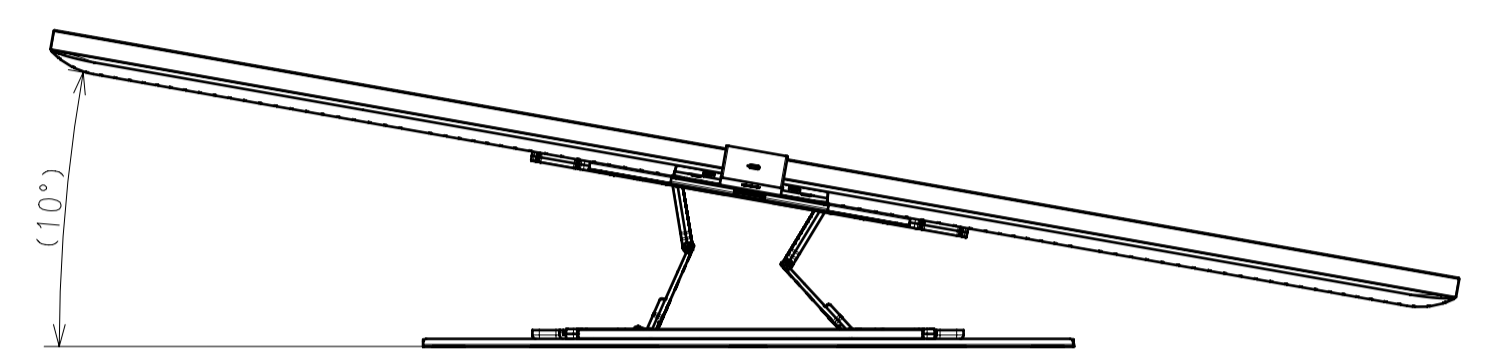
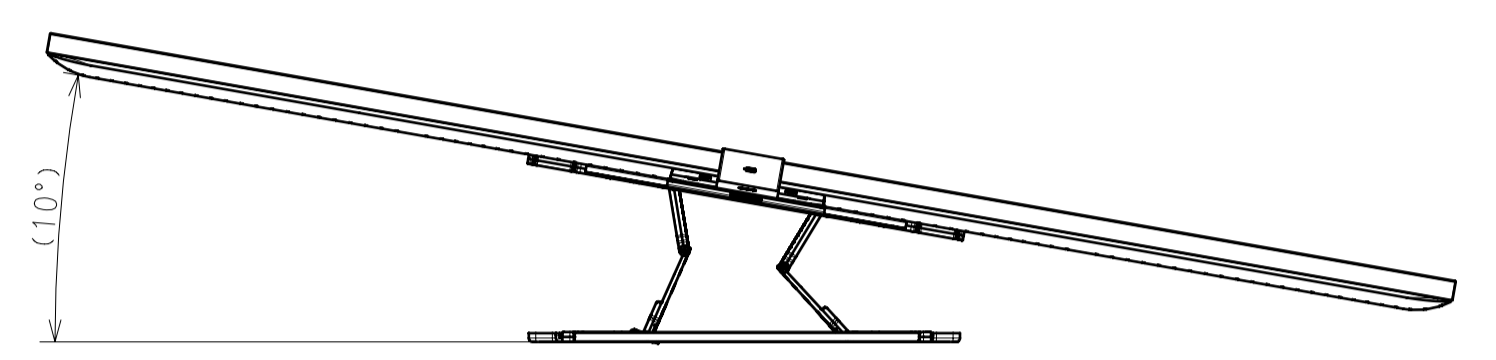
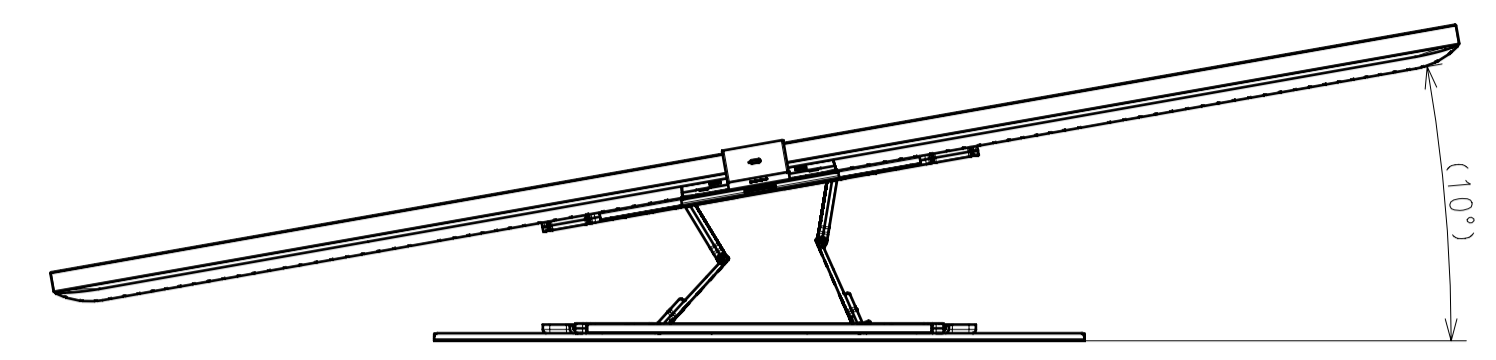
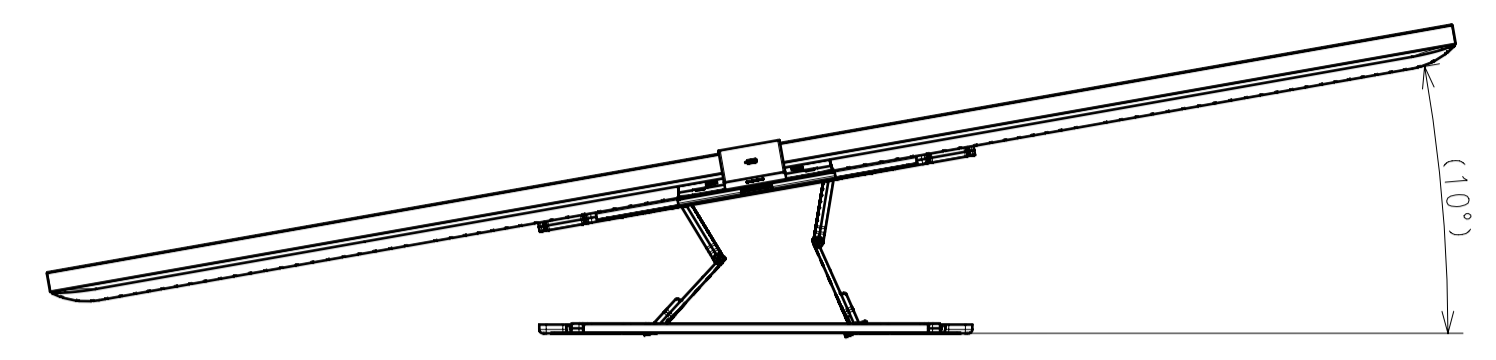


SONY STANDARD DRAWING

DESCRIPTION	LEGAL OWNER	SCALE
85(XR90) EXTERIOR VIEW	Sony Corporation	1:1
DESCRIPTION	PART NO.	SHEET/PAGES
85(XR90) EXTERIOR VIEW		5/6

SU-WL900

SU-WL905



SLIM

STANDARD

SLIM

STANDARD

65.8(66:SPEC)  
(2 5/8 inch:SPEC)  
\*China only

78.9(79:SPEC)  
(3 1/8 inch:SPEC)  
\*China only

75.8(76:SPEC)  
(3 inch:SPEC)  
\*China only

88.9(89:SPEC)  
(3 5/8 inch:SPEC)  
\*China only

61.6(62:SPEC)  
(2 1/2 inch:SPEC)

74.6(75:SPEC)  
(3 inch:SPEC)

71.6(72:SPEC)  
(2 7/8 inch:SPEC)

84.6(85:SPEC)  
(3 3/8 inch:SPEC)

