

SCREEN CONFIGURATION SUMMARY

PROJECT: WP25-00184 - INCEEL RW2

SCREEN: PRININCEEL-04914 - 2400-INCEEL-1.78-RW2-B05

SCREEN:

PRININCEEL-04914
Description: 2400-INCEEL-1.78-RW2-B05
Description 2: Overall size 2.670X1.649 mm
Screen Model: Inceel
Native Aspect Ratio: 1.78 Widescreen TV (16:9)
Fabric: Reference White 2
Screen Finishing: Border 5
Dimension Range: 2400 mm Viewing Area

OPTIONS:

Total Drop: Drop from 101 - 200 mm
Fabric roll assembly: Back fall
Screen finish option: White Matte
Screen mechanism: Somfy standard motor
Mechanism position option: Right
Voltage: 230V 50Hz
Instructions: Adeo Screen Manual

ACCESSORIES:

	QTY
Control System:	
AROL0004: Interface RS232-RF-12V-Dry contact for Screen	1

TOTAL, EXCLUDING FREIGHT & LOCAL TAXES:

Customer:

AWE EUROPE LTD
Alexander House 3A, Blenheim Road
EPSOM
KT19 9AP
GB

Phone: [REDACTED]

Email: [REDACTED]

Website: www.awe-europe.com

Comments:

SCREEN CONFIGURATION SUMMARY

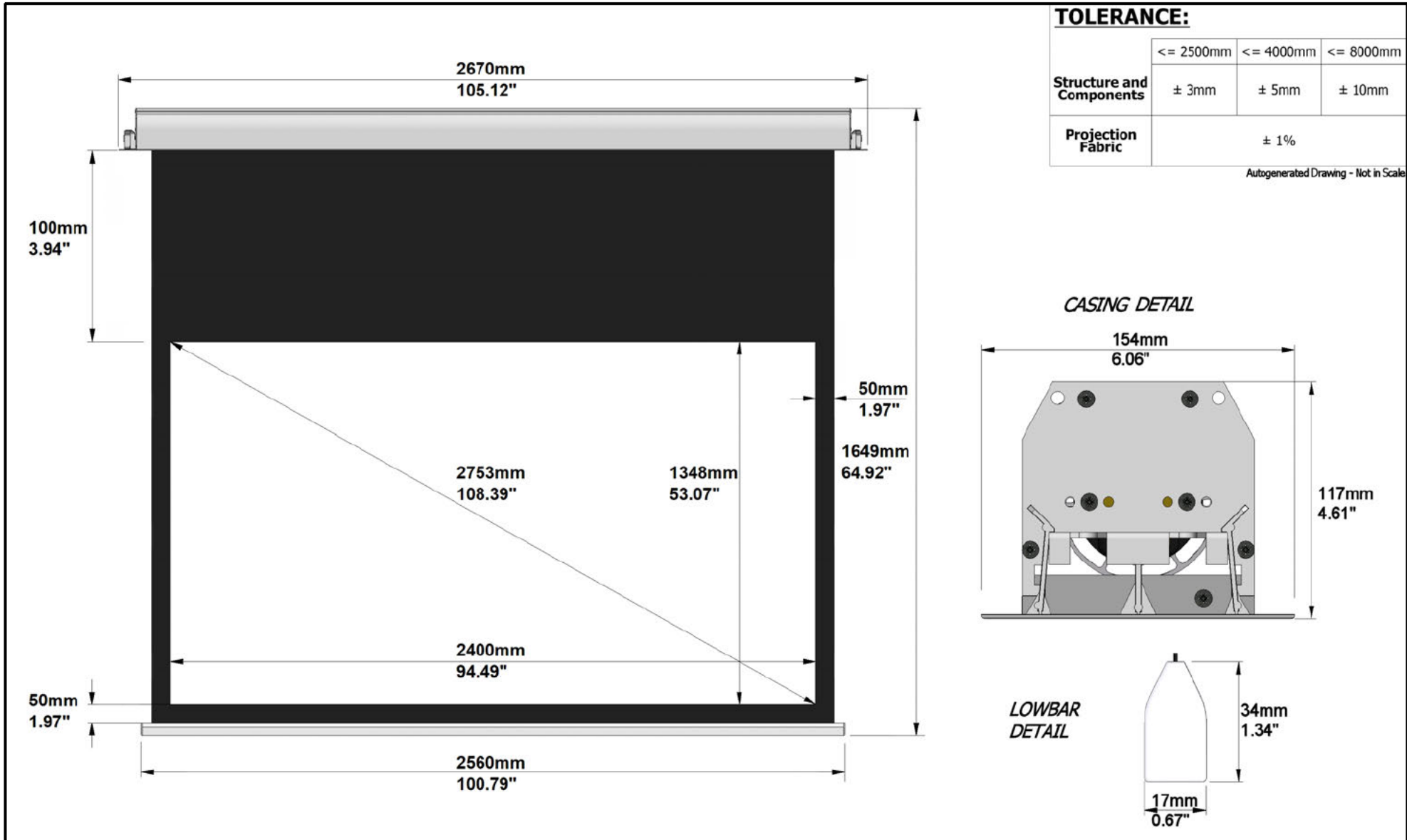
PROJECT: WP25-00184 - INCEEL RW2

SCREEN: PRININCEEL-04914 - 2400-INCEEL-1.78-RW2-B05

TOLERANCE:

	<= 2500mm	<= 4000mm	<= 8000mm
Structure and Components	± 3mm	± 5mm	± 10mm
Projection Fabric	± 1%		

Autogenerated Drawing - Not in Scale

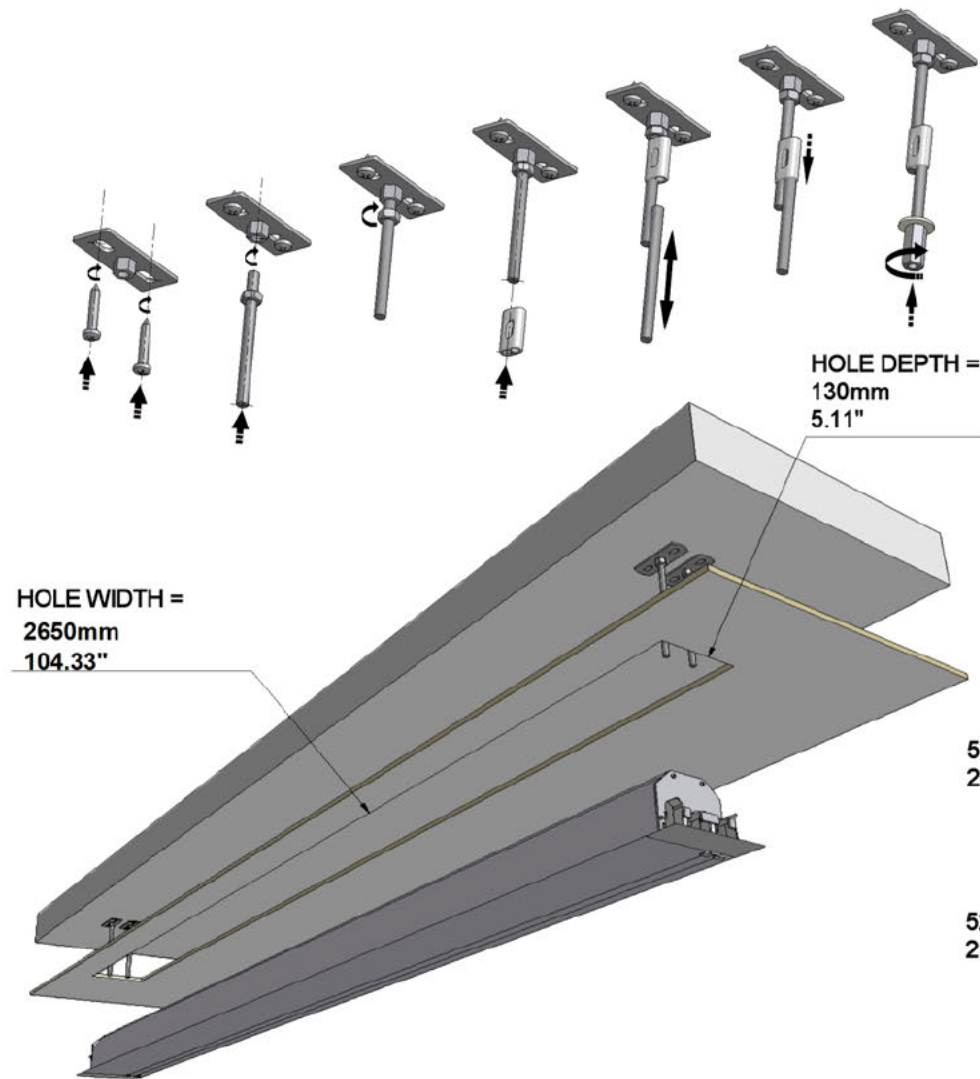


SCREEN CONFIGURATION SUMMARY

PROJECT: WP25-00184 - INCEEL RW2

SCREEN: PRININCEEL-04914 - 2400-INCEEL-1.78-RW2-B05

MOUNTING BRACKET AND INSTALLATION VIEW:



PACKAGING INFORMATION:

ESTIMATED SCREEN NET WEIGHT: 21.50Kg
47.30Lbs

	ESTIMATED SHIPPING DIMENSIONS				NUMBER OF BOXES	ESTIMATED SHIPPING WEIGHT	
	LENGTH	DEPTH	HEIGHT	PALLET HEIGHT		kg	Lbs
mm	2720mm	200mm	210mm	320mm	1	23.90	52.58
inches	107.09"	7.87"	8.27"	12.60"		kg	Lbs

Autogenerated Drawing - Not in Scale

