

SCREEN CONFIGURATION SUMMARY

PROJECT: WP25-00290 - INCEEL 131 VAC

SCREEN: PRININCEEL-02438 - 2900-INCEEL-1.78-VAC-B05

SCREEN:

PRININCEEL-02438
Description: 2900-INCEEL-1.78-VAC-B05
Description 2: Overall size 3.170X1.930 mm
Screen Model: Inceel
Native Aspect Ratio: 1.78 Widescreen TV (16:9)
Fabric: Vision Acoustik
Screen Finishing: Border 5
Dimension Range: 2900 mm Viewing Area

OPTIONS:

Fabric roll assembly: Back fall
Screen finish option: White Matte
Screen mechanism: Somfy standard motor
Mechanism position option: Right
Voltage: 230V 50Hz
Instructions: Adeo Screen Manual

ACCESSORIES:

QTY

Control System:
AROL0004: Interface RS232-RF-12V-Dry contact for Screen

1

TOTAL, EXCLUDING FREIGHT & LOCAL TAXES:

Customer:

AWE EUROPE LTD
Alexander House 3A, Blenheim Road
EPSOM
KT19 9AP
GB

Phone:

Email:

Website: www.awe-europe.com

Comments:

SCREEN CONFIGURATION SUMMARY

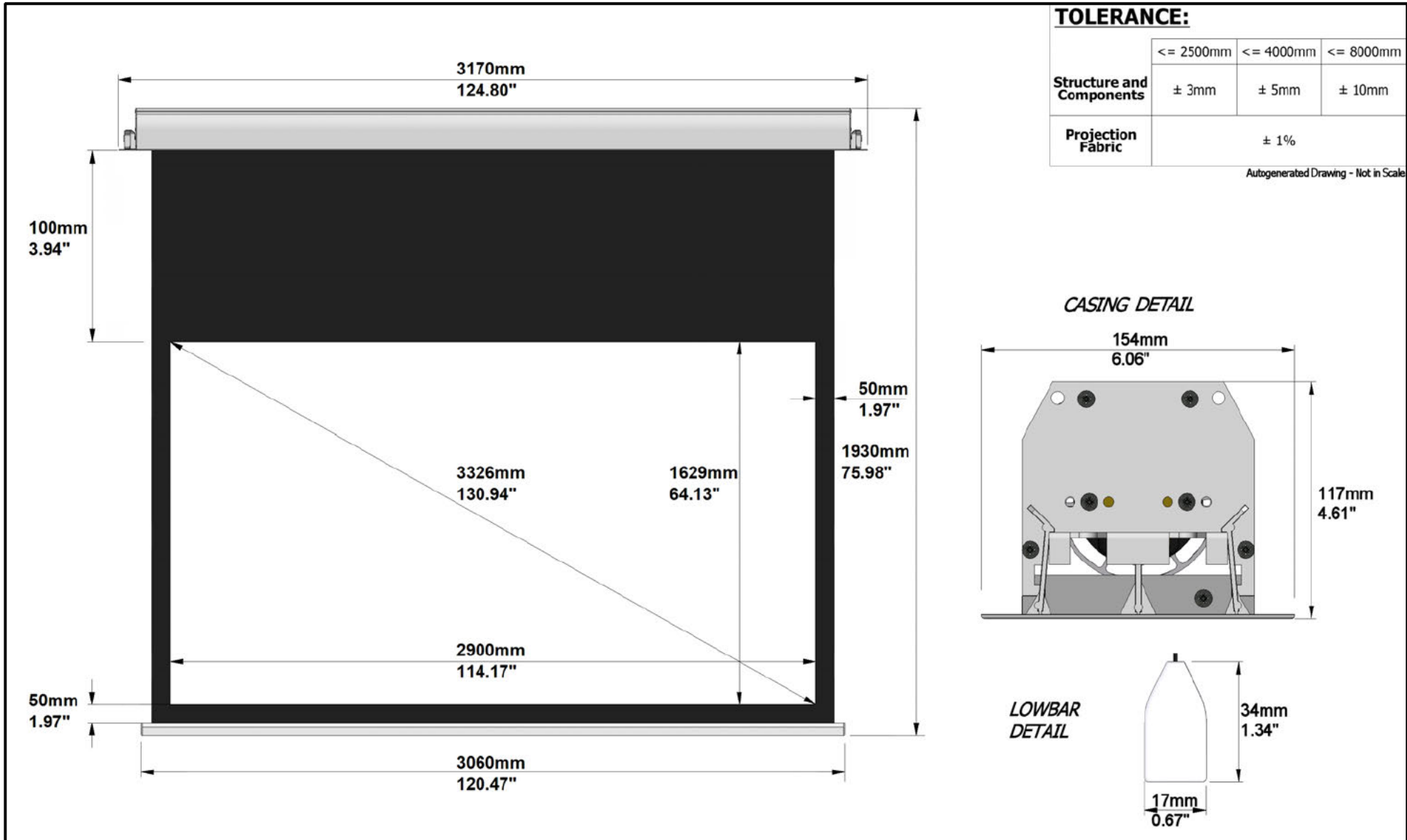
PROJECT: WP25-00290 - INCEEL 131 VAC

SCREEN: PRININCEEL-02438 - 2900-INCEEL-1.78-VAC-B05

TOLERANCE:

	<= 2500mm	<= 4000mm	<= 8000mm
Structure and Components	± 3mm	± 5mm	± 10mm
Projection Fabric	± 1%		

Autogenerated Drawing - Not in Scale

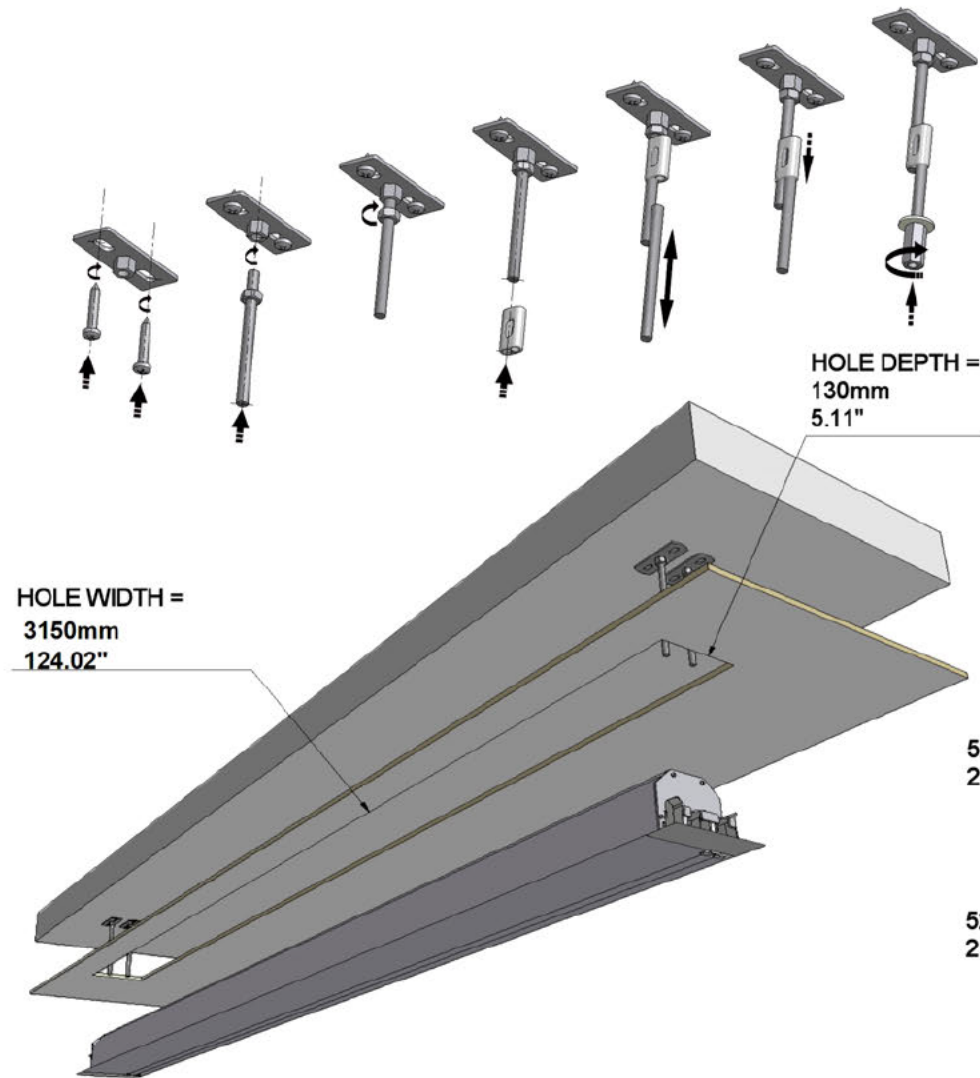


SCREEN CONFIGURATION SUMMARY

PROJECT: WP25-00290 - INCEEL 131 VAC

SCREEN: PRININCEEL-02438 - 2900-INCEEL-1.78-VAC-B05

MOUNTING BRACKET AND INSTALLATION VIEW:



PACKAGING INFORMATION:

ESTIMATED SCREEN NET WEIGHT: 26Kg
57.20Lbs

	ESTIMATED SHIPPING DIMENSIONS				NUMBER OF BOXES	ESTIMATED SHIPPING WEIGHT	
	LENGTH	DEPTH	HEIGHT	PALLET HEIGHT		kg	Lbs
mm	3220mm	200mm	210mm	320mm	1	28.90	63.58
inches	126.77"	7.87"	8.27"	12.60"			

Autogenerated Drawing - Not in Scale

