

# SCREEN CONFIGURATION SUMMARY

PROJECT: WP22-07577 - INCEEL 3150 RW2

SCREEN: PRININCEEL-03799 - 3150-INCEEL-1.78-RW2-C05

## SCREEN:

PRININCEEL-03799

Description: 3150-INCEEL-1.78-RW2-C05

Description 2: Overall size 3.670X2.071 mm

Screen Model: Inceel

Native Aspect Ratio: 1.78 Widescreen TV (16:9)

Fabric: Reference White 2

Screen Finishing: Tensio Classic Border 5

Dimension Range: 3150 mm Viewing Area

## OPTIONS:

Fabric Roll Assembly: Back Fall

Screen Finish Option: White Matte

Screen Mechanism: Somfy Standard Motor

Voltage: 230V 50Hz

Instructions: Adeo Screen Manual

## ACCESSORIES:

QTY

Control System:

AROL0004: Interface RS232-RF-12V-Dry contact for Screen - 1 interface control 1 motor (for Biformat 2 interface) 1

TOTAL, EXCLUDING FREIGHT & LOCAL TAXES:

## Customer:

AWE EUROPE LTD

Alexander House 3A, Blenheim Road

EPSOM

KT19 9AP

GB

Phone:

Email:

Website: [www.awe-europe.com](http://www.awe-europe.com)

## Comments:

# SCREEN CONFIGURATION SUMMARY

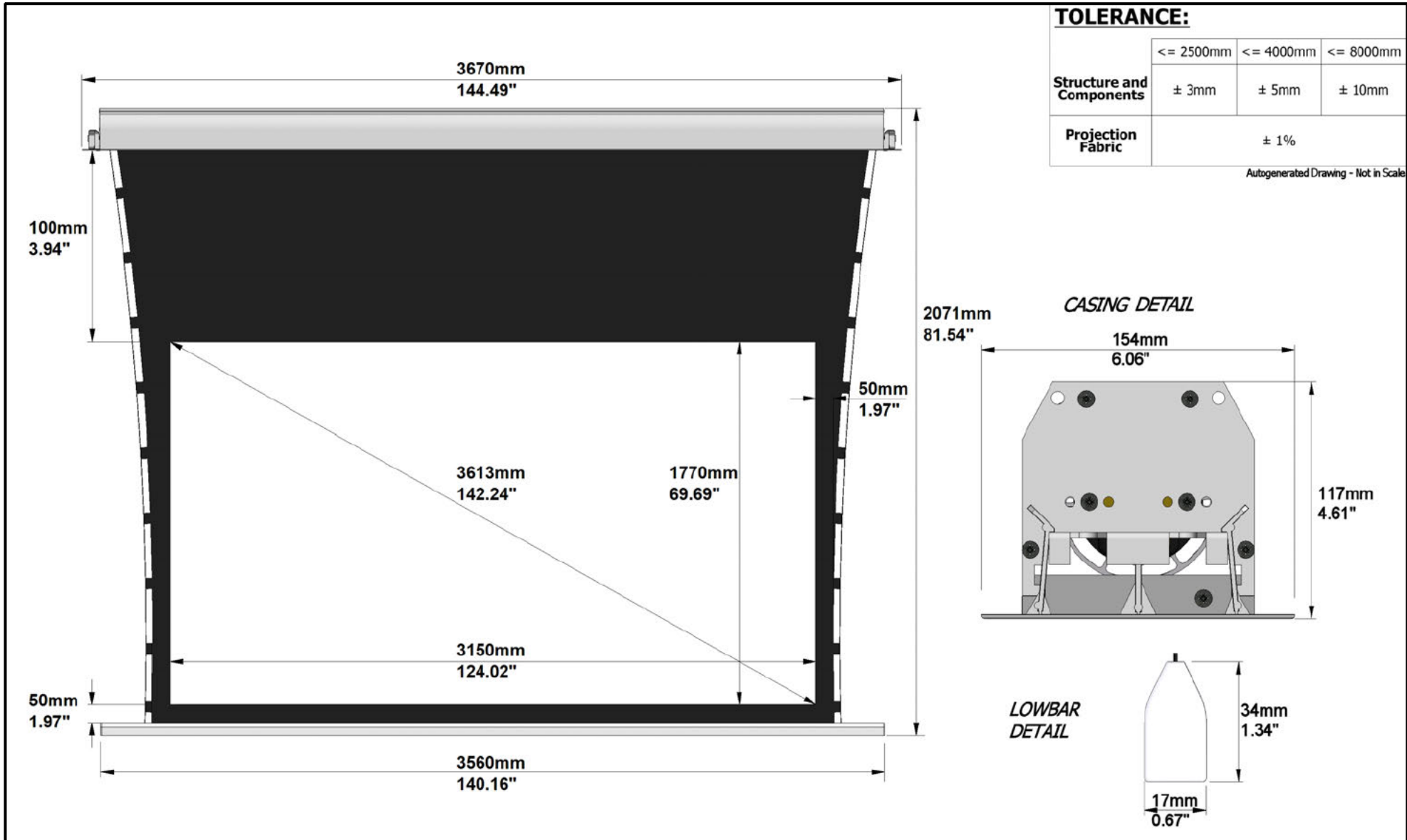
PROJECT: WP22-07577 - INCEEL 3150 RW2

SCREEN: PRININCEEL-03799 - 3150-INCEEL-1.78-RW2-C05

## TOLERANCE:

	<= 2500mm	<= 4000mm	<= 8000mm
Structure and Components	± 3mm	± 5mm	± 10mm
Projection Fabric	± 1%		

Autogenerated Drawing - Not in Scale

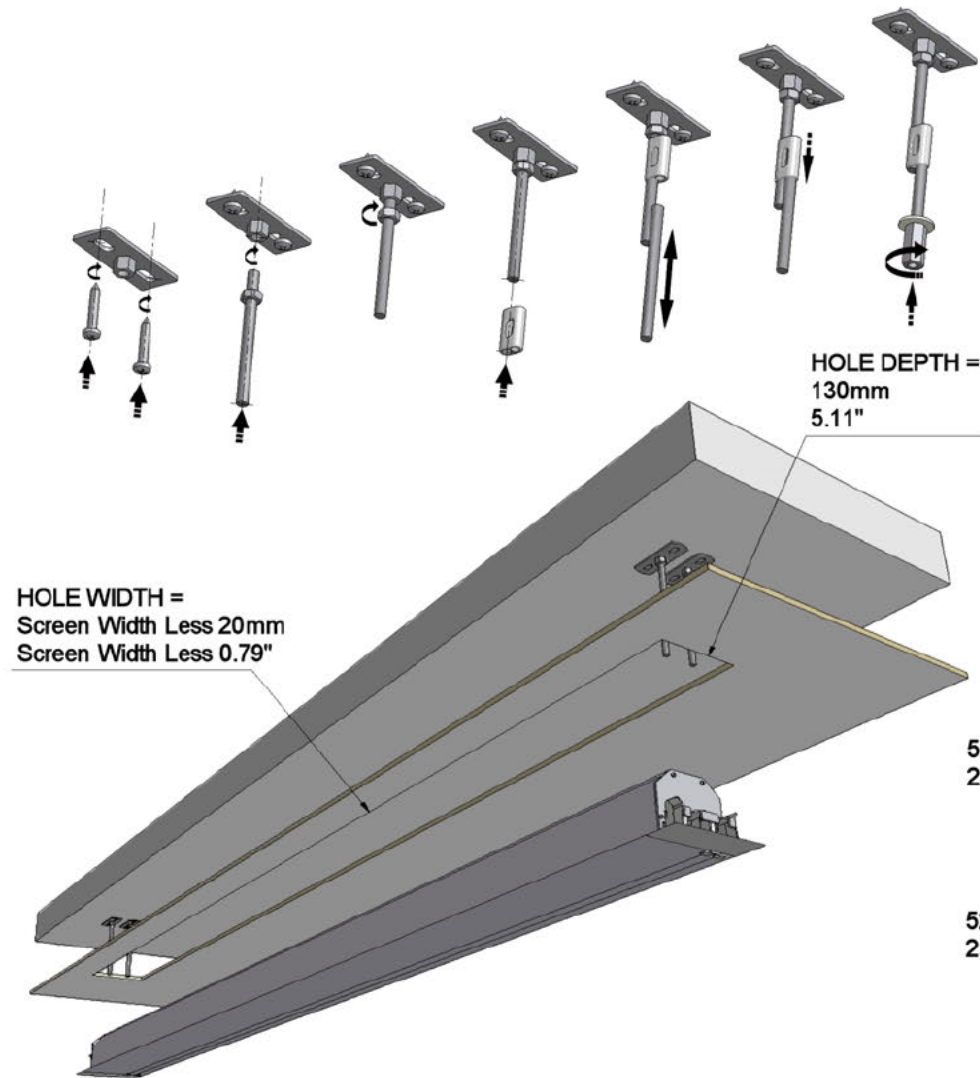


# SCREEN CONFIGURATION SUMMARY

PROJECT: WP22-07577 - INCEEL 3150 RW2

SCREEN: PRININCEEL-03799 - 3150-INCEEL-1.78-RW2-C05

## MOUNTING BRACKET AND INSTALLATION VIEW:



## PACKAGING INFORMATION:

ESTIMATED SCREEN NET WEIGHT: 28.20Kg  
62Lbs

	SHIPPING DIMENSIONS				NUMBER OF BOXES	TOTAL SHIPPING WEIGHT	
	LENGTH	DEPTH	HEIGHT	PALLET HEIGHT		kg	lbs
mm	3720mm	200mm	210mm	320mm	1	31.40	69.08
inches	146.46"	7.87"	8.27"	12.60"			

Autogenerated Drawing - Not in Scale

