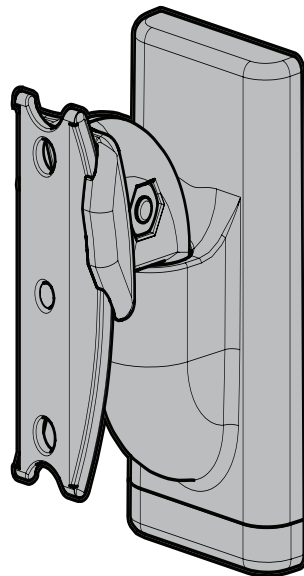


SANUS

WSWMU UNIVERSAL SPEAKER WALL MOUNT INSTRUCTION MANUAL



We'll Make It Stress-Free

If you have any questions along the way, just give us a call.

P: +31 (0) 495 580 852 • UK: (0) 800 056 2853 • AUS: +61 (0) 7 3299 7000 • US: 1 (800) 359 5520

We're ready to help!

Before getting started, let's make sure this product is perfect for you!

This mount is designed to support most wireless speakers, with similar mounting holes.

⚠ CAUTION: Avoid potential personal injuries and property damage!

- Check your speaker owner's manual to see if there are any special requirements for mounting your speaker.
- Please read through these instructions completely to be sure you're comfortable with this easy install process.
- Do not use this product for any purpose not explicitly specified by manufacturer.
- Manufacturer is not responsible for damage or injury caused by incorrect assembly or use.
- The wall must be capable of supporting five times the weight of the speaker and mount combined.
- If you do not understand these instructions or have doubts about the safety of the installation, assembly or use of this product, contact Customer Service.

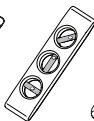
**Speaker Weight Limit
DO NOT EXCEED**

**10 lbs.
(4.53 kg)**

**Tools
Needed**



Pencil



Level



Screwdriver



Electric
Drill

Wood Stud Install



Stud Finder



Awl



1/8 in.
(3 mm)
Wood
Drill Bit

Concrete Install



Hammer



1/4 in.
(6.5 mm)
Masonry
Drill Bit

Drywall Install



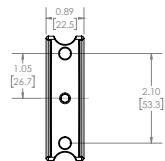
Hammer



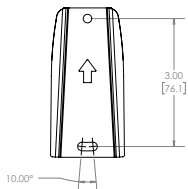
1/4 in.
(6.5 mm)
Drill Bit

Dimensions

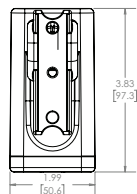
TV INTERFACE



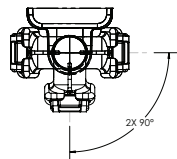
WALL PLATE



FULLY ASSEMBLED MOUNT

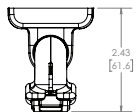


TOP VIEW - EXTENDED

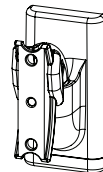


ATTACHED PRODUCT TO DETERMINE ACTUAL SWIVEL

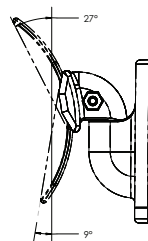
TOP VIEW - RETRACTED



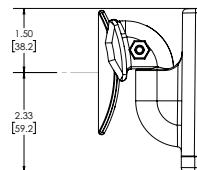
3-D



SIDE VIEW - EXTENDED



SIDE VIEW - RETRACTED



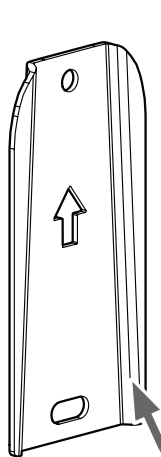
Supplied Parts and Hardware

⚠ WARNING: This product contains small items that could be a choking hazard if swallowed. Before starting assembly, verify all parts are included and undamaged. If any parts are missing or damaged, do not return the damaged item to your dealer; contact Customer Service. Never use damaged parts!

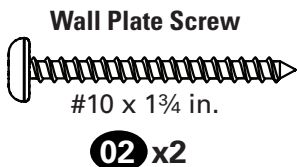
📄 NOTE: Not all hardware included will be used.

Quantities shown are for one speaker mount.

STEP 1 Parts and Hardware



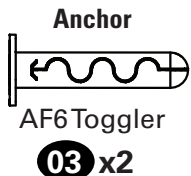
Wall Plate
01 x1



Wall Plate Screw

#10 x 1 3/4 in.

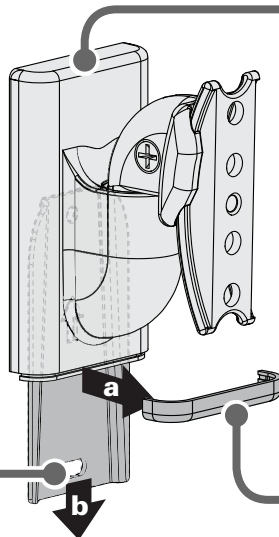
02 x2



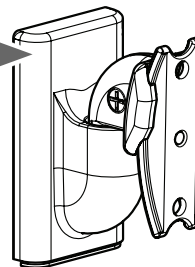
Anchor

AF6 Toggler

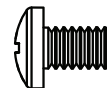
03 x2



STEP 2 Parts and Hardware



Mount
04 x1



Speaker Screw
1/4-20 x 10mm
05 x1

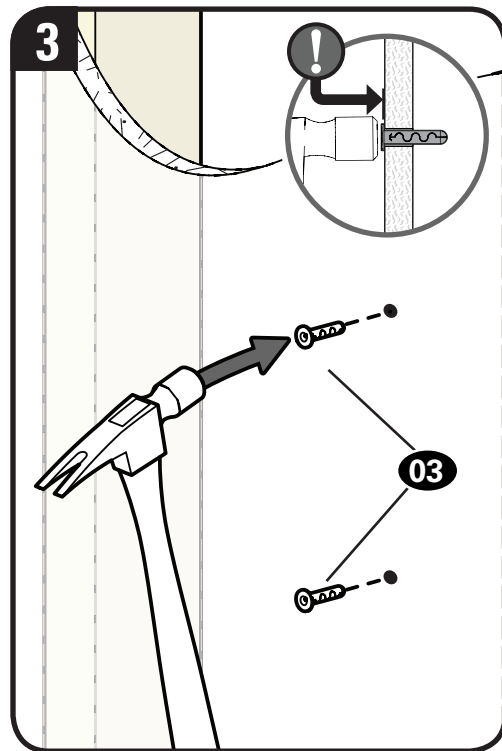
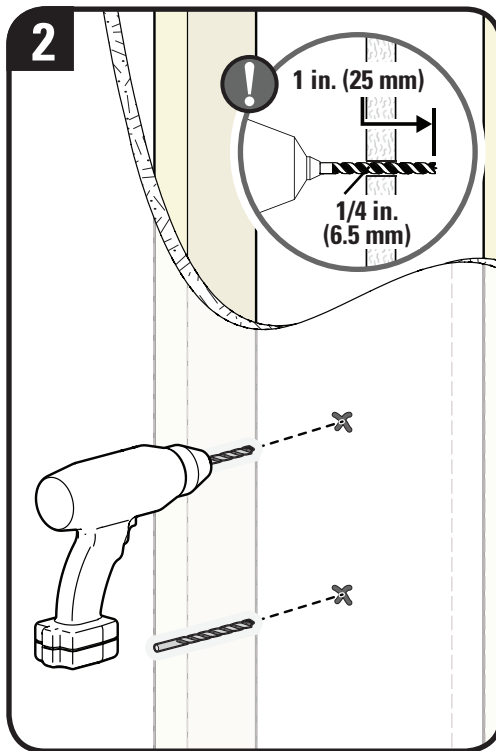
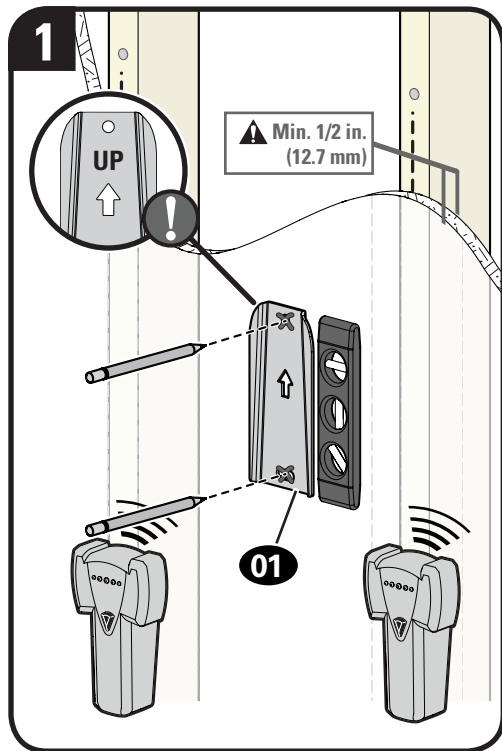
STEP 3 Part



Cap
06 x1

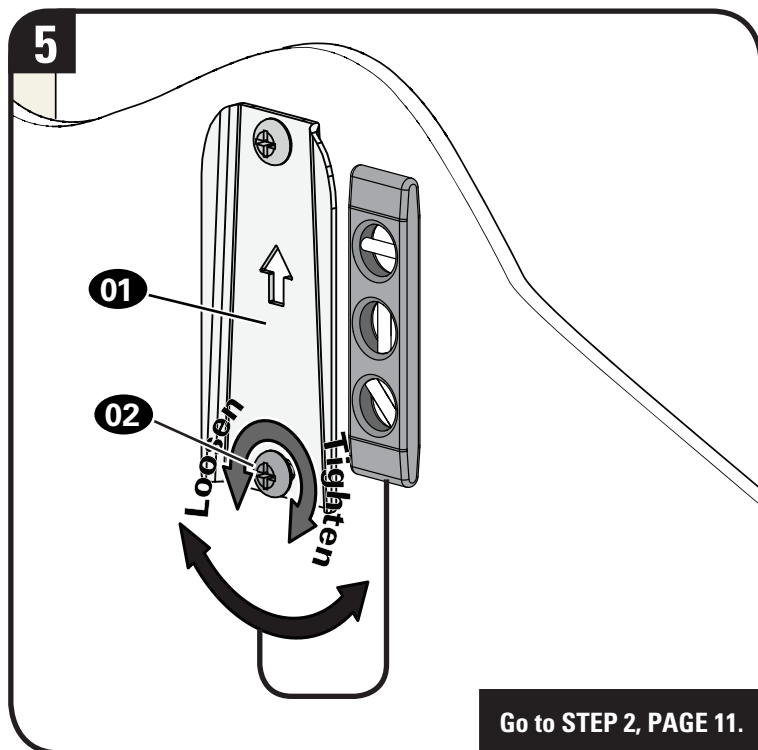
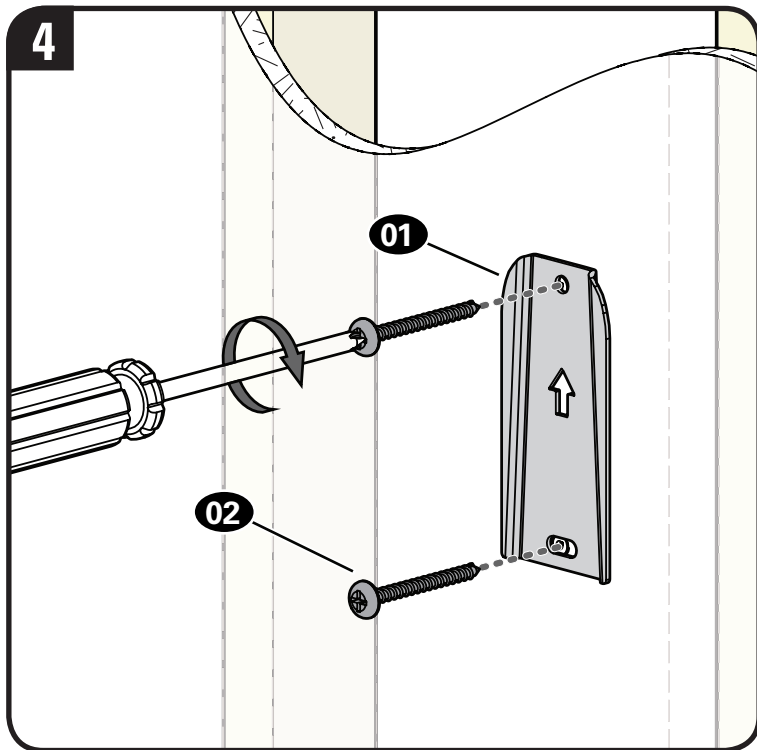
CAUTION: Avoid potential personal injury or property damage!

- Drywall covering the wall, must not be less than 1/2 in. (12.7 mm)



⚠ CAUTION: Avoid potential personal injury or property damage!

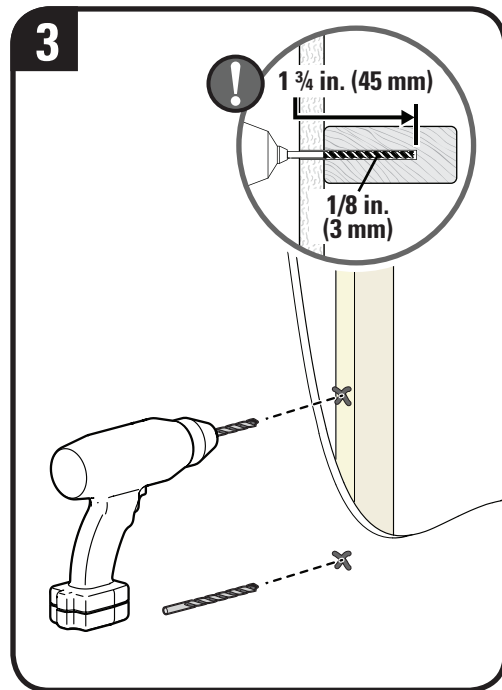
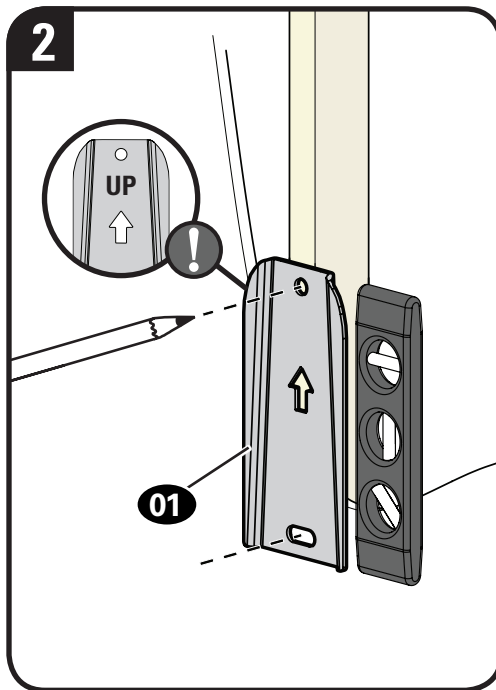
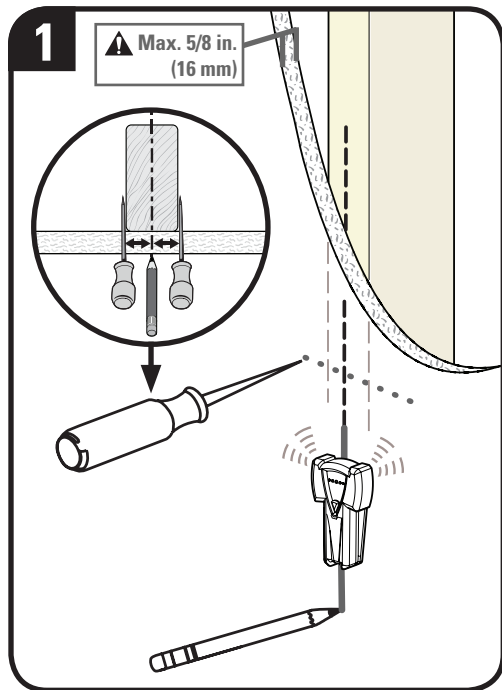
Both screws **02** MUST BE firmly tightened to prevent unwanted movement of the wall plate **01**. Ensure the wall plate is securely fastened to the wall before continuing on to the next step.



Go to STEP 2, PAGE 11.

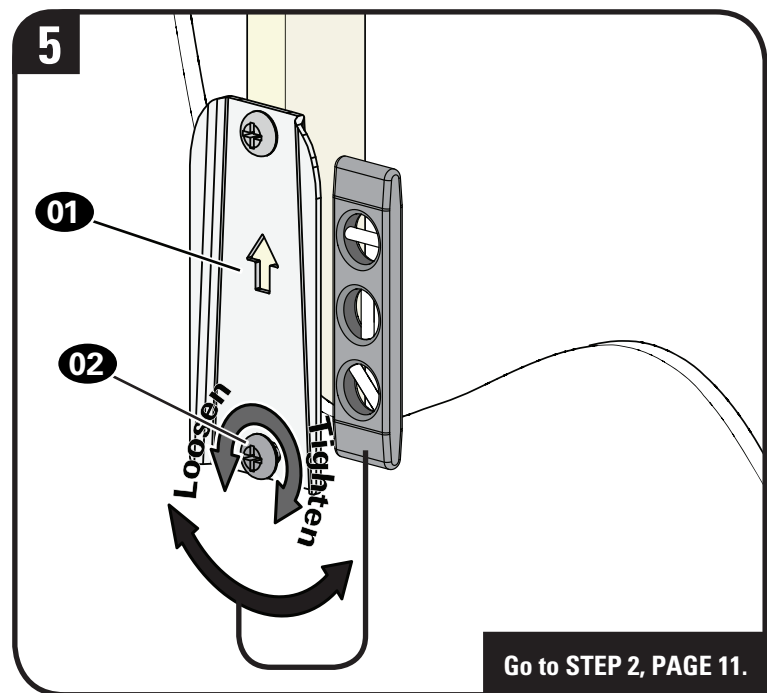
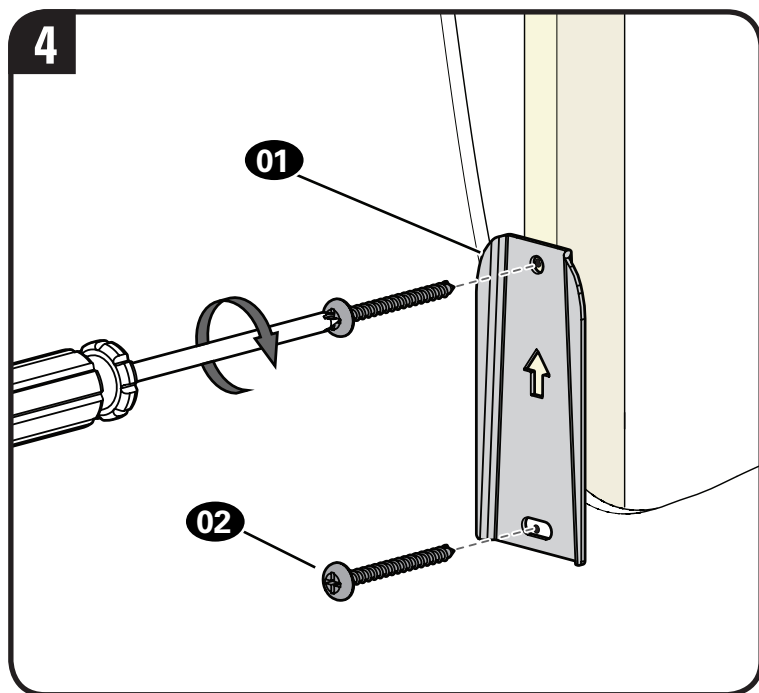
CAUTION: Avoid potential personal injury or property damage!

- Drywall covering the wall, must not exceed 5/8 in. (16 mm)
- Minimum wood stud size: nominal 2 x 4 in. (51 x 102 mm) actual 1½ x 3½ in. (38 x 89 mm)
- Stud center must be verified



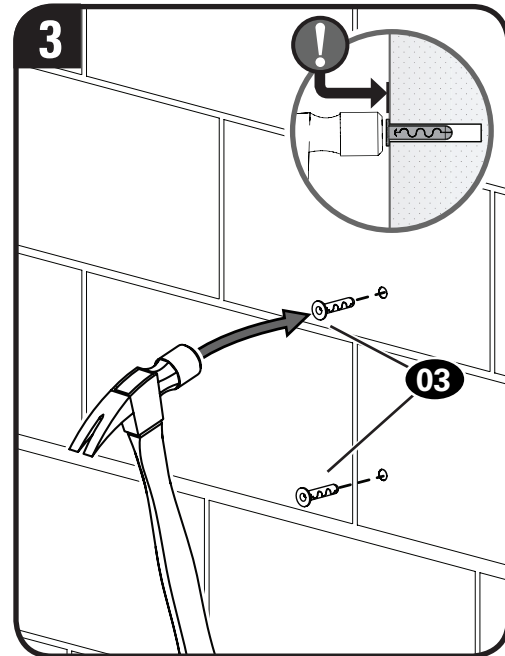
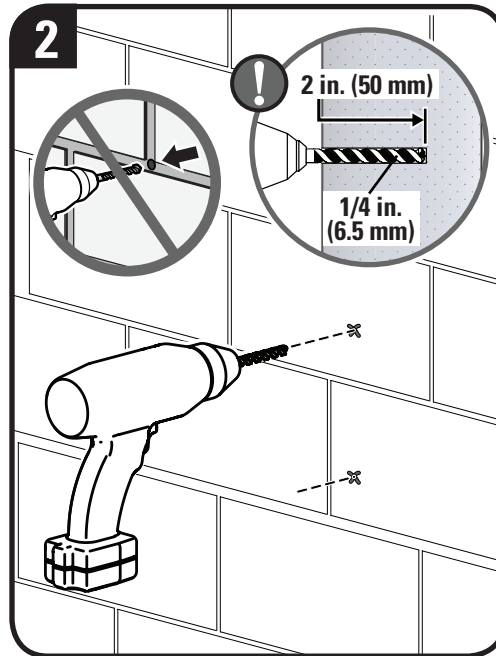
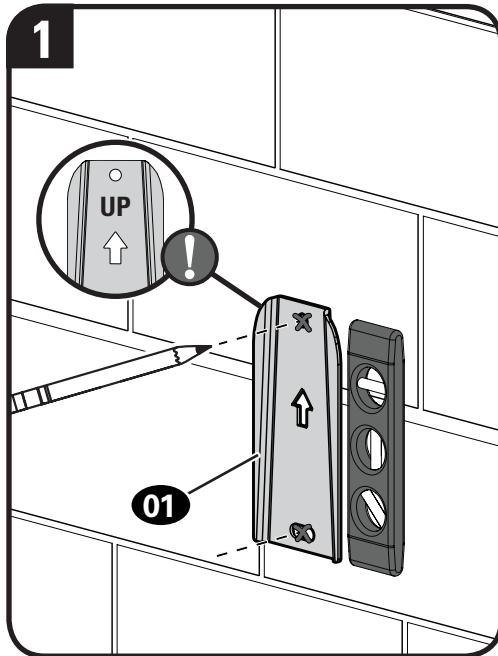
⚠ CAUTION: Avoid potential personal injury or property damage!

Both screws **02** MUST BE firmly tightened to prevent unwanted movement of the wall plate **01**. Ensure the wall plate is securely fastened to the wall before continuing on to the next step.



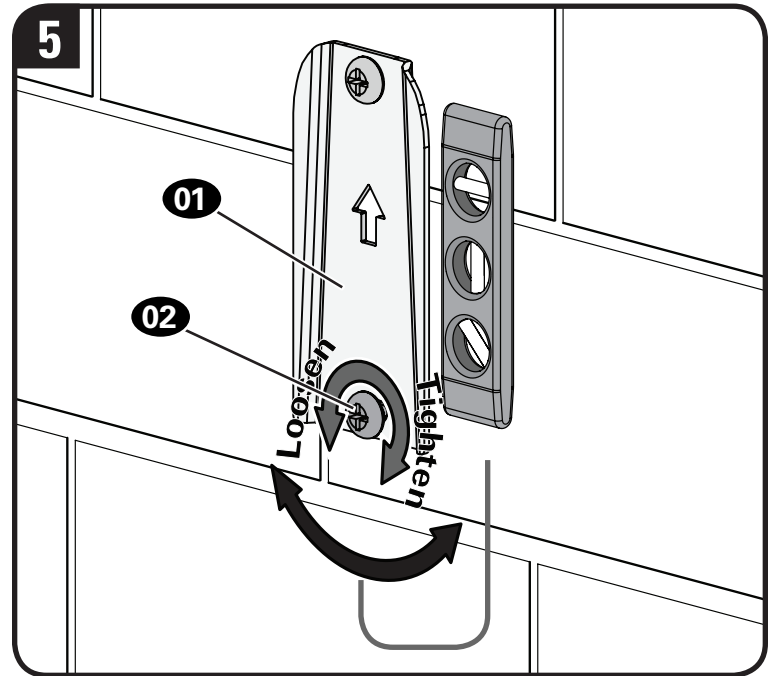
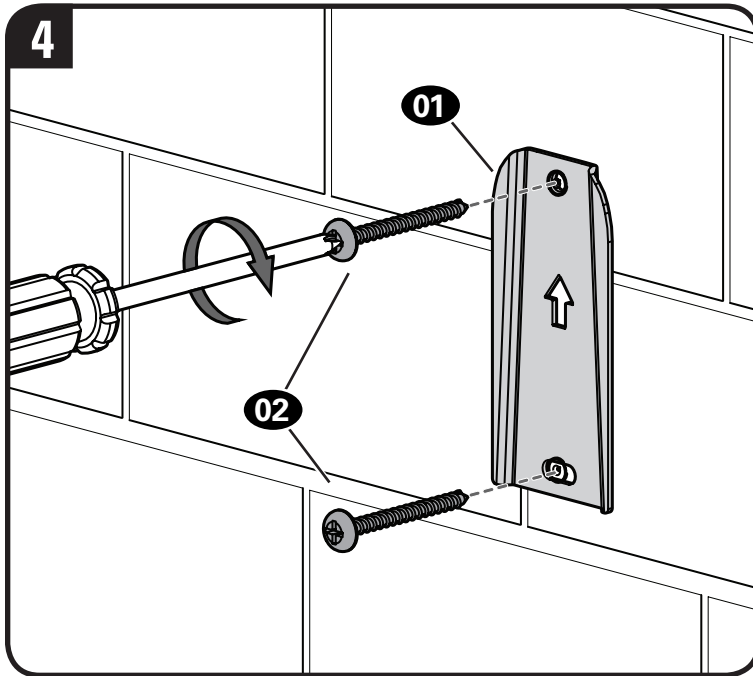
CAUTION: Avoid potential personal injury or property damage!

- Mount the wall plate **01** directly onto the concrete surface (no wall covering)
- Minimum **solid concrete** thickness: 8 in. (203 mm)
- Minimum **concrete block** size: 8 x 8 x 16 in. (203 x 203 x 406 mm)



⚠ CAUTION: Avoid potential personal injury or property damage!

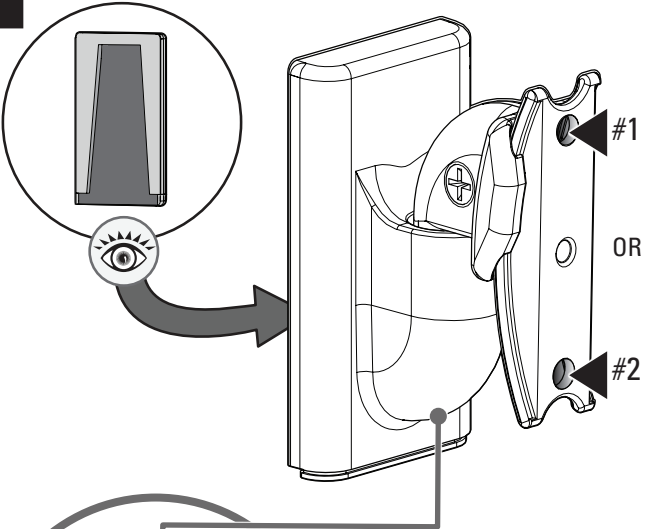
Both screws **02** MUST BE firmly tightened to prevent unwanted movement of the wall plate **01**. Ensure the wall plate is securely fastened to the wall before continuing on to the next step.



STEP 2

Attach Mount to Speaker

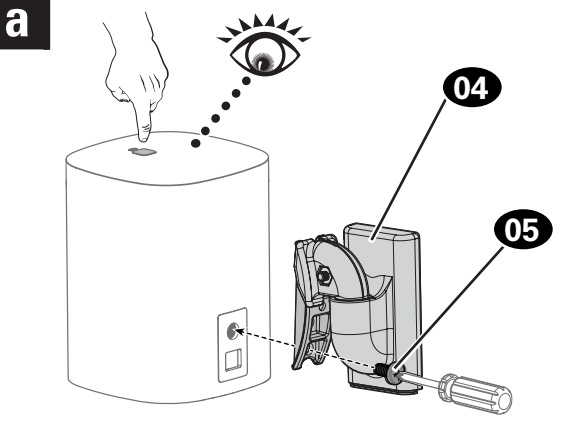
1



#1 OR #2

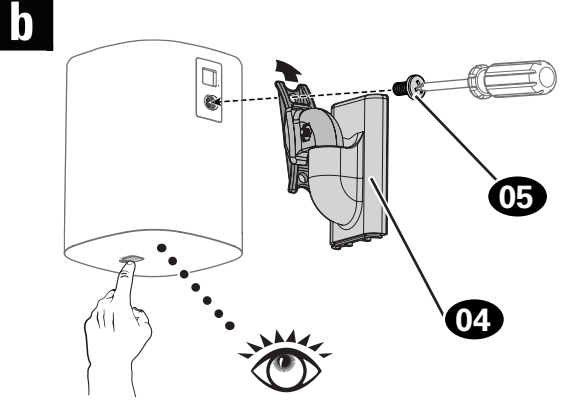
Speaker may be installed in either the right-side-up position **a** or up-side-down position **b**, depending on height placement.

a



04 05

b

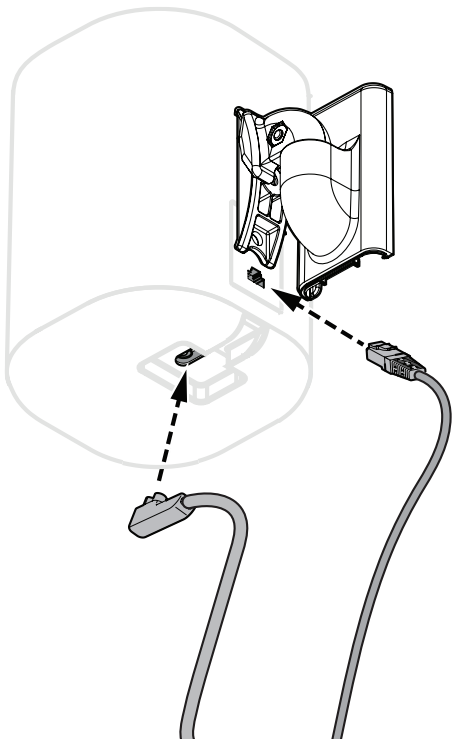


04 05

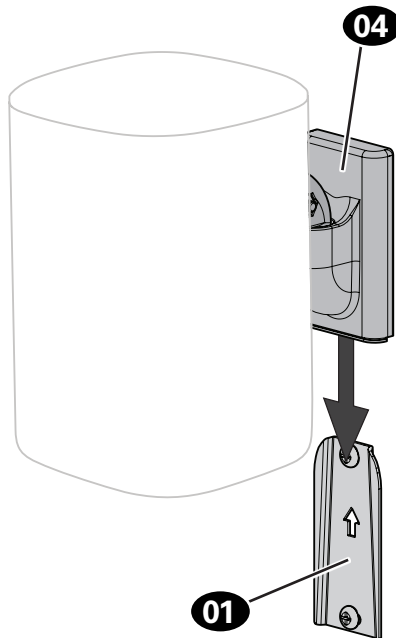
STEP 3

Mount Assembly to Wall Plate

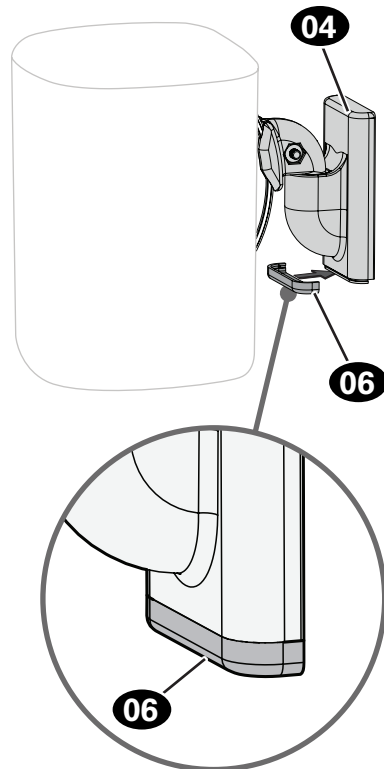
1 Install cables



2 Slide onto wall plate **01**.

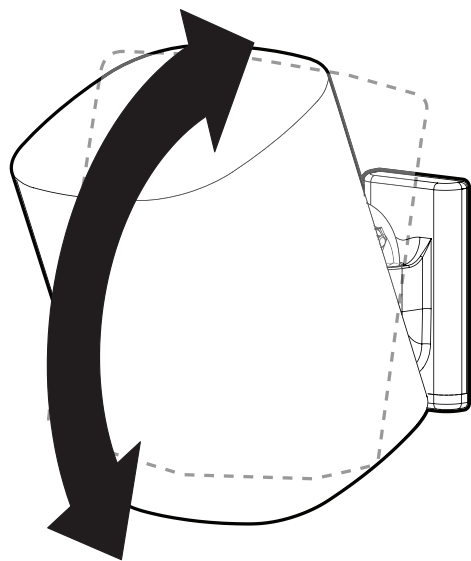


3 Slide cap **06** onto mount **04**.

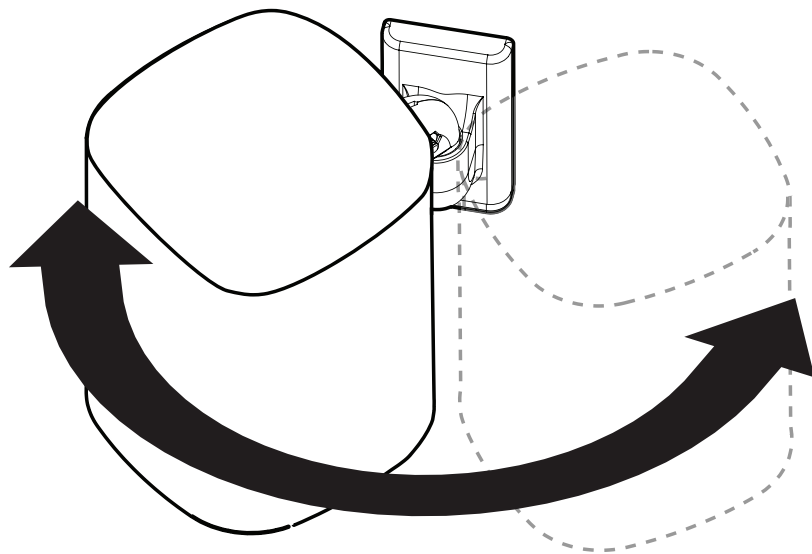


Adjustments

TILT

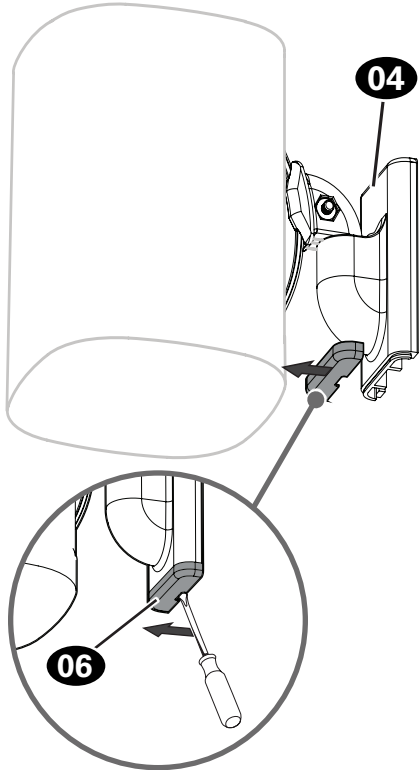


SWIVEL

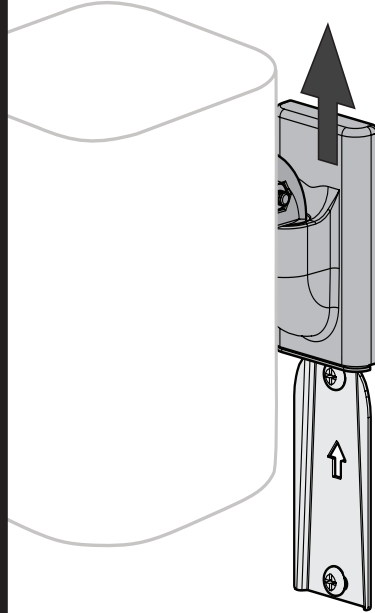


To Remove

1



2



3

