

# OLED G4

## 2024 models

*Wall-mount included*

OLED97G45LW

OLED83G45LW

OLED77G45LW

OLED65G45LW

OLED55G45LW

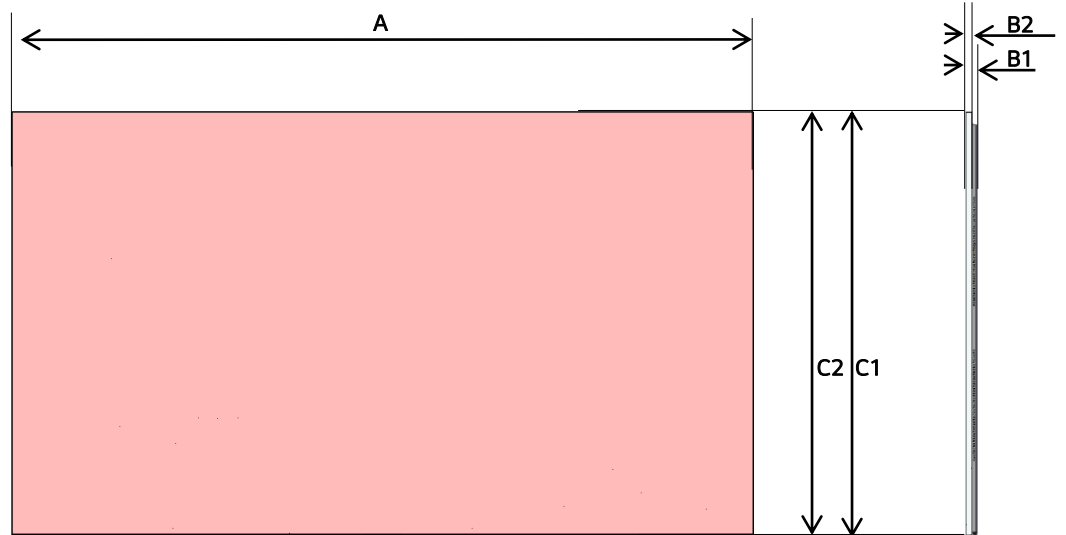
*Table stand included*

OLED65G46LS

OLED55G46LS

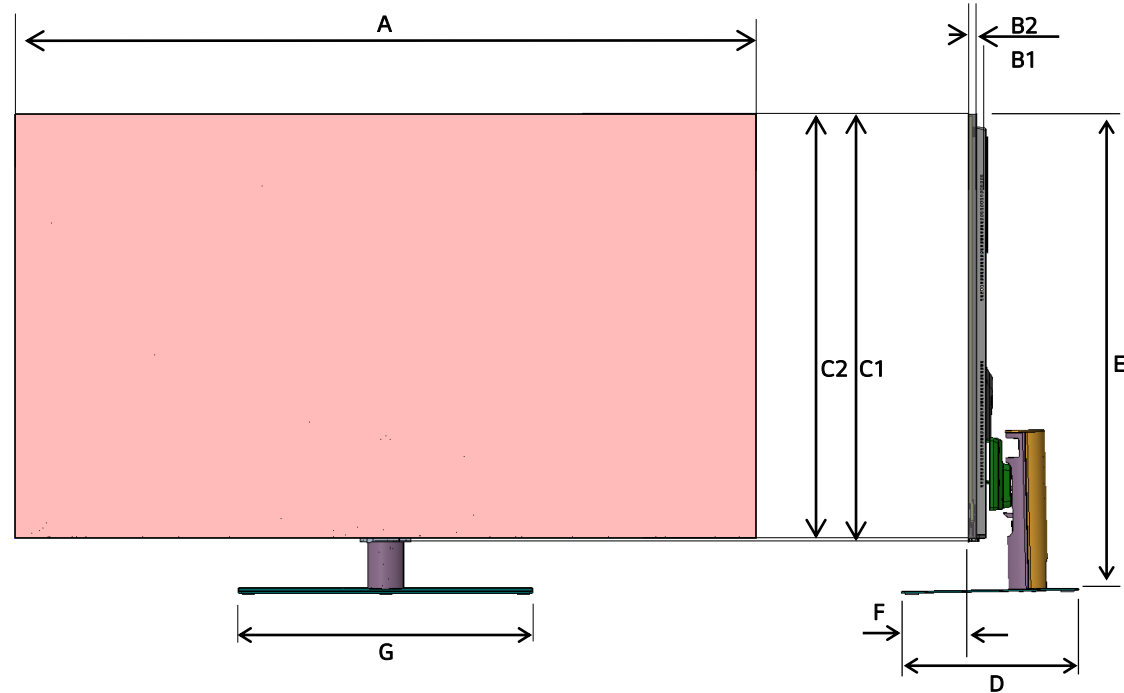
# Front & Side View – wall-mount included

FRONT (UNIT: mm)	55"	65"	77"	83"	97"
A (Set Width : W)	1222	1441	1712	1847	2155
B1 (Head, thickest depth : Wall mount surf.)	27.2	24.3	24.8	28.0	28.2
B2 (Head, slimmest depth)	13.6	13.6	13.6	13.6	13.6
C1 (Head height, Including protrusion: H)	703	826	982	1057	1230
C2 (Head height, Excluding protrusion)	698	821	976	1052	1223



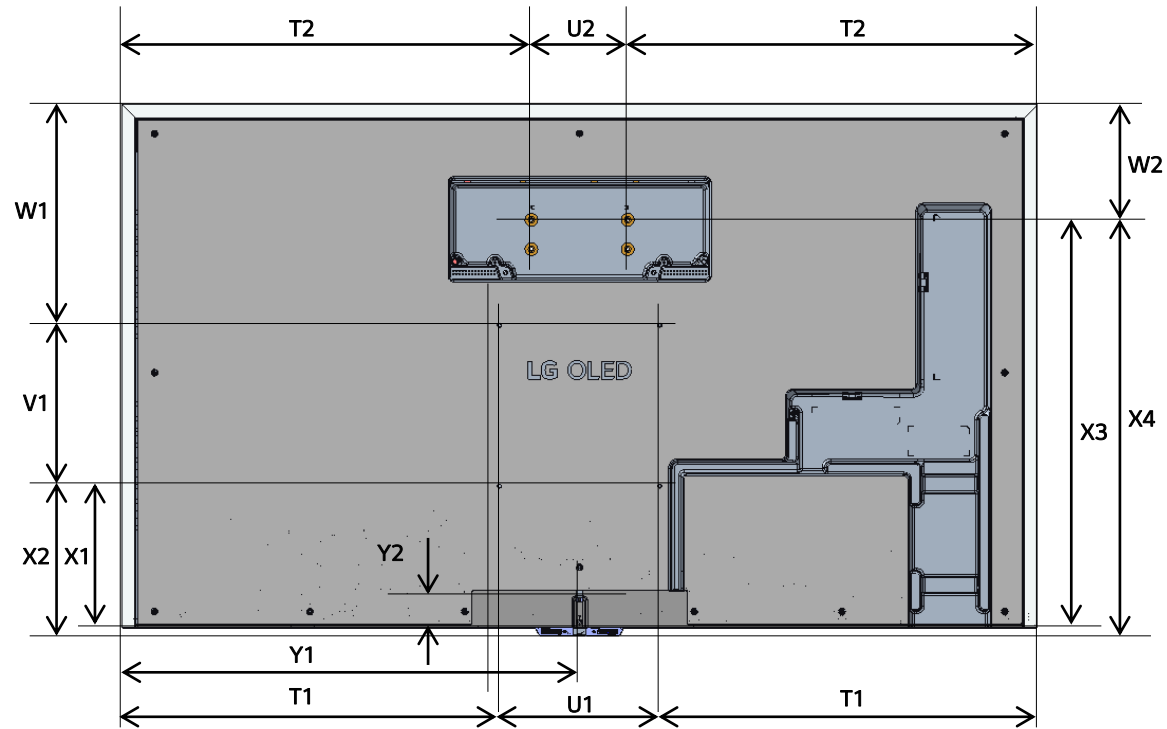
# Front & Side View – table-stand included

FRONT (UNIT: mm)	55"	65"
A (Set Width : W)	1222	1441
B1 (Head, thickest depth : Wall mount surf.)	27.2	24.3
B2 (Head, slimmest depth)	13.6	13.6
C1 (Head height, Including protrusion: H)	703	826
C2 (Head height, Excluding protrusion)	698	821
D (Depth, Including stand)	263	263
E (Height, Including stand (Min. / Max.))	742 / 787	865 / 910
F (Head, front surf ↔ Stand, front end)	103	106
G (Stand, horizontal outer length)	485	485



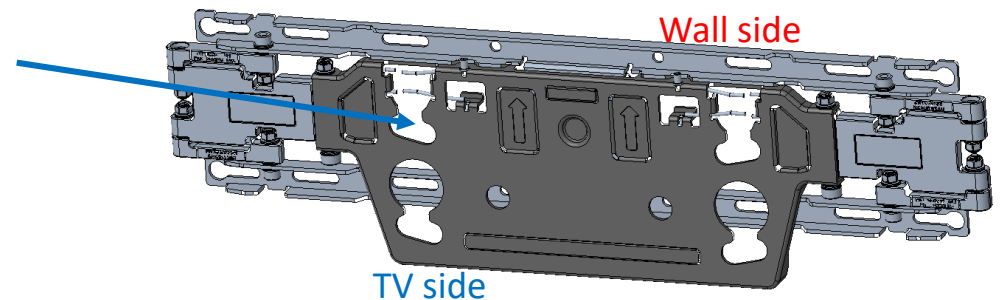
# Back View

BACK (UNIT: mm)	55"	65"	77"	83"
<b>VESA holes dimensions</b>				
T1 (Set Out ↔ VESA Wall mount hole)	461	570	706	724
U1 (VESA Wall mount Top Width)	300	300	300	400
V1 (VESA Wall mount Height)	200	300	300	400
W1 (Set Top ↔ VESA Wall mount hole)	376	307	412	387
X1 (Set Bottom ↔ VESA Wall mount hole)	122	214	265	265
X2 (Set Max Bottom ↔ VESA Wall mount hole)	127	219	270	270
<b>Included flush-fit wall mount brackets dimensions</b>				
T2 (Set Out ↔ Wall mount bracket attach point)	521	630	766	834
U2 (Wall mount attach points Top Width)	180	180	180	180
W2 (Set Top ↔ Wall mount bracket attach point)	116	150	215	256
X3 (Set Bottom ↔ Wall mount bracket attach point)	582	671	761	796
X4 (Set Max Bottom ↔ Wall mount bracket attach point)	587	676	767	801
<b>Power cord hole position dimensions</b>				
Y1 (Head, Left side ~ Power Cord Hole Center)	544	654	856	924
Y2 (Head, bottom side ~ Power Cord Hole Center)	56	56	57	59



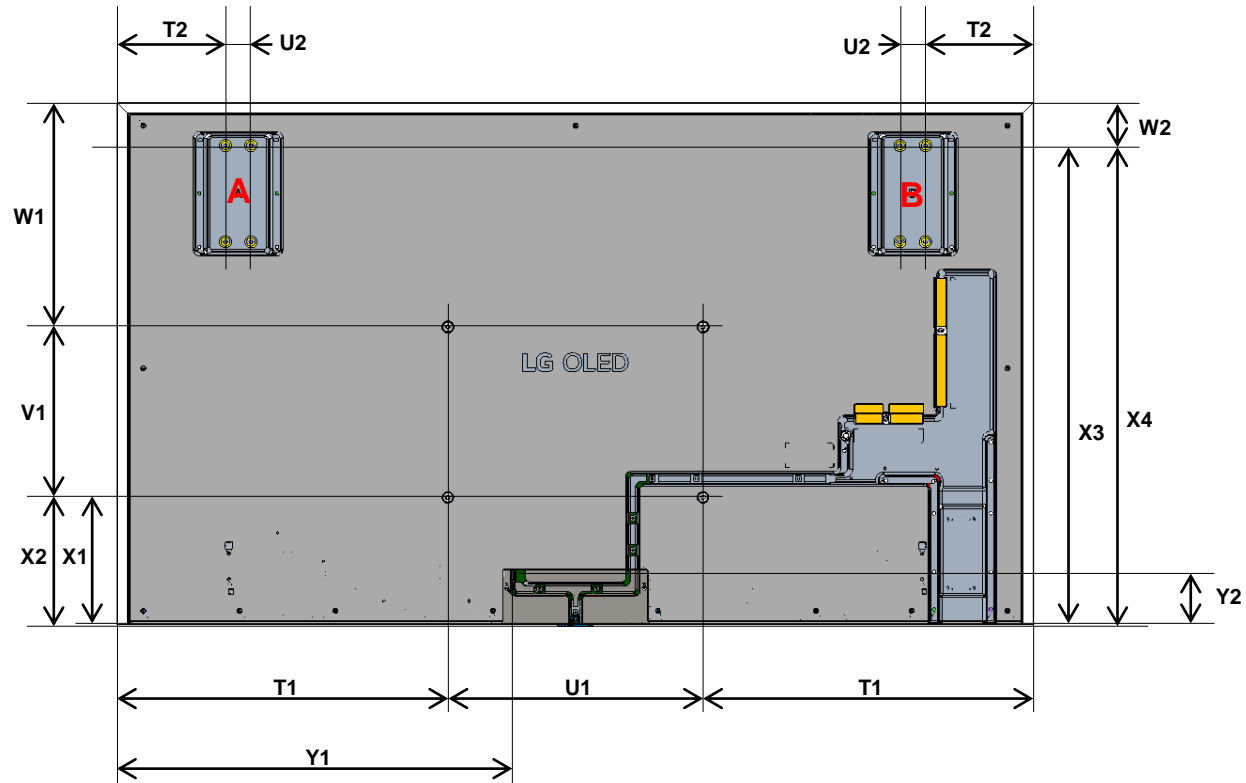
Note: flush-fit wall mount bracket (included with TV) attaches to points on the TV relating to T2, U2, W2, X3, X4 measurements. These points do not translate to attach points on the wall – the bracket has multiple options for securing to wall as shown in diagram. Use the included wall mount guide paper to position the bracket on the wall.

Other measurements above relate to standard VESA holes, which can be used with third party VESA brackets.



# Back View – 97"

Dimensions (UNIT: mm)	97"
<b>VESA holes dimensions</b>	
T1 (Set Out ↔ VESA Wall mount hole)	777
U1 (VESA Wall mount Width)	600
V1 (VESA Wall mount Height)	400
W1 (Set Top ↔ VESA Wall mount hole)	527
X1 (Set Bottom ↔ VESA Wall mount hole)	298
X2 (Set Max Bottom ↔ VESA Wall mount hole)	303
<b>Included flush-fit wall mount brackets dimensions</b>	
T2 (Set Out ↔ Wall bracket outer attach point)	254
U2 (Wall bracket attach points Width)	60
W2 (Set Top ↔ Wall bracket top attach point)	101
X3 (Set Bottom ↔ Wall bracket top attach point)	1124
X4 (Set Max Bottom ↔ Wall bracket top attach point)	1129
<b>Power cord hole position dimensions</b>	
Y1 (Head, Left side ~ Power Cord Hole Center)	943
Y2 (Head, bottom side ~ Power Cord Hole Center)	142



Note: flush-fit wall mount brackets (shown left, included with the TV) attach to points on the TV relating to measurements indicated in the table above and as indicated by A and B in the TV diagram. These points do not translate to attach points on the wall – the brackets have multiple options for securing to wall as shown in diagram. Use the included wall mount guide paper to position the brackets on the wall and then select drill points.

Other measurements above relate to standard VESA holes, which can be used with third party VESA brackets.

