

StingRay

Environmentally Durable Sound



**NO
RUSTY
GRILLES!**

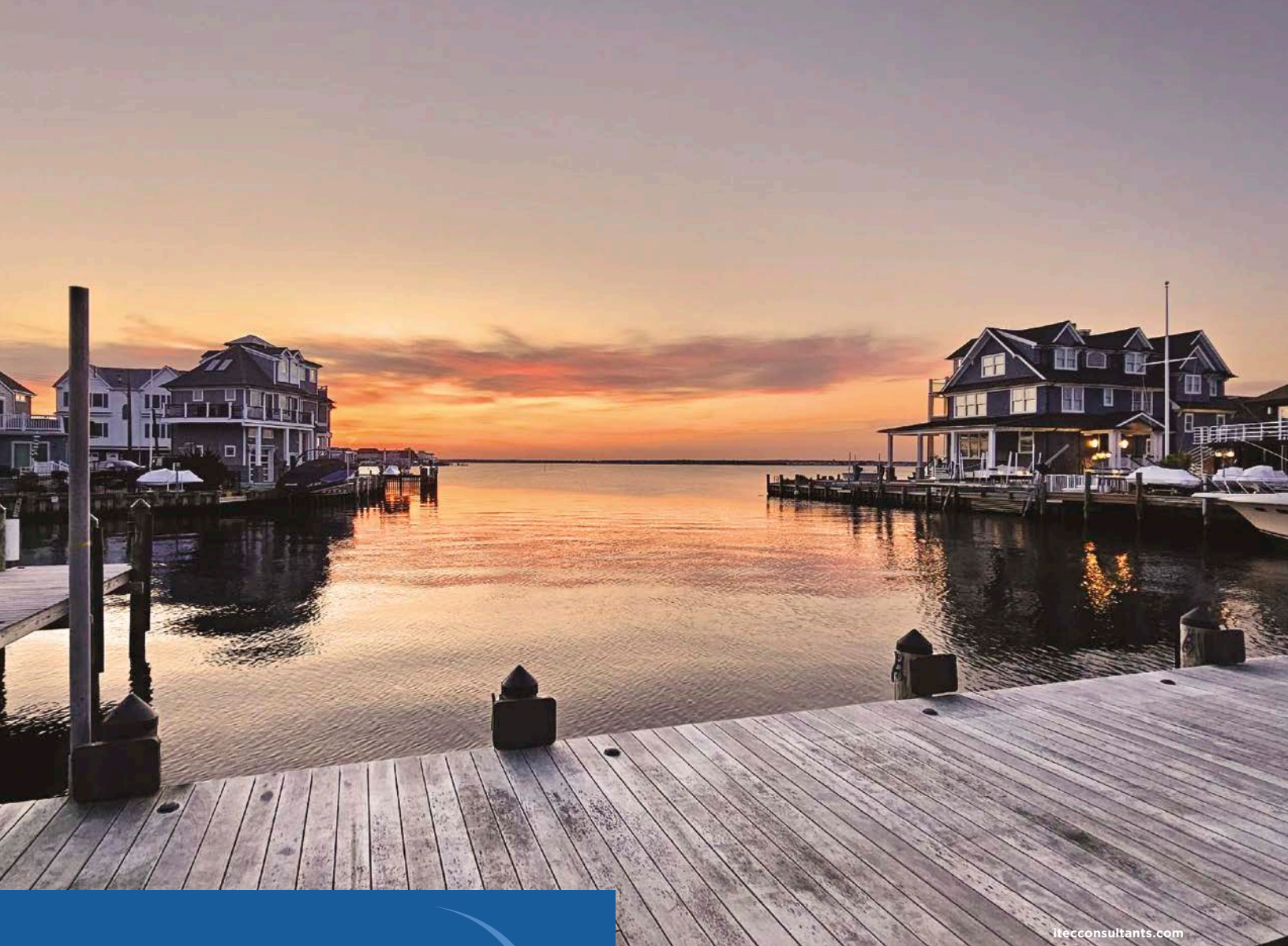


soundzgoodtxk.com



auxcity.ca

STEALTH ACOUSTICS



iteconsultants.com

StingRay 

Environmentally Durable Sound

INVISIBLE IMPERVIOUS SPEAKERS

StingRay speakers are known for raising the bar in outdoor audio durability and sound quality. StingRay outdoor speakers deliver smooth mid and high-frequency response with a solid, rich bass extension. They are ideal for luxury residential, commercial, and marine applications.

StingRay speakers combine direct coupled motor technology with an acoustic lever technology, driven by a traditional woofer to energize the entire FidelityGlass™ active surface of the speaker panel resulting in crisp highs and impactful bass.

The sleek design and versatile mounting options mean the speakers won't be an eyesore, and to further enhance the aesthetic, Stealth Acoustics offers custom finishing options so your speakers can **Blend In!** or **Stand Out!**



HIGH PERFORMANCE AUDIO

StingRay 83



OUTDOOR SUBWOOFER

StingRay 430



FULL RANGE, 8" 3-WAY HIGH PERFORMANCE SPEAKER

The StingRay83 is Stealth Acoustics' highest-performing outdoor full-range speaker featuring deep bass and sparkling highs combined with ultra-wide dispersion characteristics.

StingRay83 speakers feature an advanced driver set that incorporates an acoustically coupled, high-power, 8" cone woofer with directly-coupled high and mid-frequency drivers for frequency extension ranging from 40Hz to 20kHz.

The StingRay83 contains two independent protection circuits (low and high-frequency sections) that automatically reset upon reduction of excessive amplifier power.

Recommended Applications:

Outdoor Cinema LCR, Cinema Surround, Premium Distributed Audio

OUTDOOR SUBWOOFER

StingRay430 is a high-powered, environmentally protected outdoor subwoofer system utilizing eight acoustically coupled, high-power, 8" cone woofers (2 per side) to create space-filling, outdoor bass for frequency extension ranging from 20Hz to 100Hz.

Using acoustic lever principals, the StingRay430 provides exceptional bass output by trading excursion for surface area to generate bass.

Recommended Applications:

Premium Outdoor Subwoofer

TRULY ENVIRONMENTAL - IP CERTIFIED

Stealth's proprietary FidelityGlass™ flat-front radiating surface ensures the StingRay's internal components are fully isolated from any intrusion of dust or moisture, allowing them to achieve an unprecedented environmental protection rating of IP-68 as measured to IEC standards (IP-65 for SR430 Subwoofer). StingRay speakers can withstand rain, snow, sleet, hail, sun, and dust in temperatures ranging from 0° to 150° F (-17 to 65° C).

OUTDOOR DISTRIBUTED AUDIO

StingRay 8

StingRay 6



FULL RANGE, 8" 2-WAY SPEAKER

StingRay8 is Stealth's premier outdoor full-range speaker featuring deep bass and sparkling highs combined with ultra-wide dispersion characteristics.

The SR8 incorporates an acoustically coupled, high-power, 8" cone woofer with one directly-coupled high-frequency driver for frequency extension ranging from 18kHz to 45Hz.

The StingRay8 contains two independent protection circuits (low and high-frequency sections) that automatically reset upon reduction of excessive amplifier power.

Recommended Applications:

Outdoor Distributed Audio, Cinema Surround, Sound Masking

FULL RANGE, 6" 2-WAY SPEAKER

The StingRay6 is the smallest member of the Stingray series and is best suited for outdoor distributed audio/background music applications.

The SR6 incorporates an acoustically coupled, high-power, 6.5" cone woofer with one directly-coupled high-frequency driver for frequency extension ranging from 18kHz to 50Hz.

The StingRay6 contains two independent protection circuits (low and high-frequency sections) that automatically reset upon reduction of excessive amplifier power.

Recommended Applications:

Outdoor Background Distributed Audio



2-CHANNEL AMPLIFIER

The SA2400-MKII is a 2-channel, high-current amplifier. DSP settings for all Stealth speakers are preprogrammed for easy deployment.

Power Output (per channel - both channels driven):

310 watts @ 8Ω < 0.05 THD
450 watts @ 4Ω < 0.05 THD



MONAURAL AMPLIFIER

The SA255-MKII is a monaural amplifier with a low pass filter designed specifically to power Stealth's invisible and outdoor subwoofers.

Mono Power Output:

250 watts @ 8Ω < 0.05 THD
350 watts @ 4Ω < 0.05 THD

INVISIBLE UNDER EAVE AUDIO

StingRay 



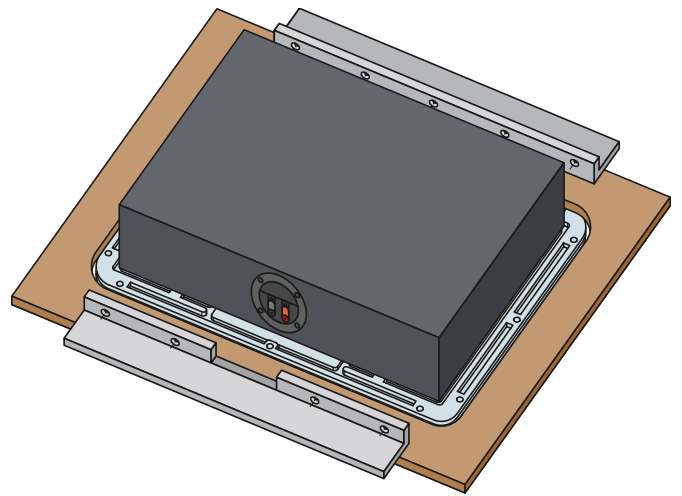
StingRay Soffit Kit
Invisible Speakers

STINGRAY SOFFIT SPEAKER KIT

Replace ugly conventional speakers that deteriorate in the elements with Stealth Acoustics Soffit Kit speakers for high performance, clean aesthetics, and lasting results.

The flush-mounted Soffit Kits feature a specialized SR8 or SRX83 speaker with an integrated back box, mounting hardware, and a router template for cutting a precise opening for installation.

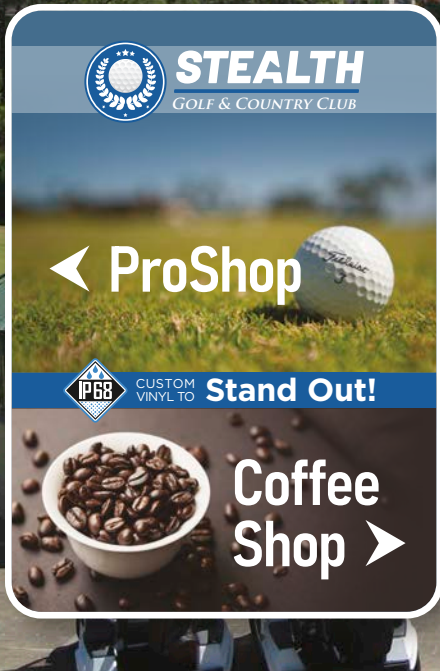
Installation is simple. After cutting an opening, the speaker fits into place and is securely mounted using the included hardware. Seam filler hides the perimeter and screw heads, and the Soffit Kit speakers become nearly invisible once painted to match the eaves.



▶ No More Rusty Grilles!

World's Only INVISIBLE Soffit Speaker





CUSTOM FINISH OPTIONS

StingRay speakers are available in white or black factory finishes suitable for many installations, and their unique design makes them a perfect choice for projects that need to **Blend In!** or **Stand Out!**

Utilize StingRay speakers by applying optional camouflaging imagery, custom artwork, or commercial branding directly to its face*. Clients may supply digital artwork or work with Stealth's in-house design department to create artwork that can hide this unique speaker in plain sight or make a bold audio-visual statement.

For a more traditional approach, standard exterior grade latex paint may be applied to StingRay speakers at the project site to achieve an exact color match the with the home or installation surroundings.



*Only the flat radiating diaphragm of the speaker will receive the custom artwork leaving a thin border of the speaker's body color visible from the front. The sides and rear of the speaker will be visible off-axis. Specify speaker body color (white or black) when ordering StingRay speakers with custom artwork.



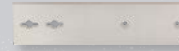
ACCESSORIES



Heavy Duty U-Bracket



Swivel Mount



Standard Bracket
(included)



Ground Stake

MOUNTING ACCESSORIES

Each StingRay speaker ships with a color-matched dead-hang bracket for easy on-wall mounting. Optional mounting accessories include a heavy-duty U-bracket for overhead installations, a landscape ground stake, and a swivel mount.

EXPERT GRADE OUTDOOR SPEAKERS & SUBWOOFERS

	STINGRAY 83 3-way Full Range Expert Grade Speaker	STINGRAY 8 2-Way Full Range Speaker	STINGRAY 6 2-Way Full Range Speaker	STINGRAY 430 Outdoor Subwoofer
Frequency Response	40Hz to 20kHz	45Hz to 18kHz	50Hz to 18kHz	20Hz to 100Hz
Power Capacity	160 watts RMS	160 watts RMS	120 watts RMS	400 watts RMS
Min. Rec. Power	80 watts	80 watts	60 watts	200 watts
Protection	(2) independent self-resetting devices (low and high/mid frequency)	(2) independent self-resetting devices (low and high frequency)	(2) independent self-resetting devices (low and high frequency)	-
Sensitivity	83 dB (1 meter @ 1 watt)	83 dB (1 meter @ 1 watt)	83 dB (1 meter @ 1 watt)	86 dB (1 meter @ 1 watt)
High Freq. Driver	(1) 1" (25 mm) neodymium driver	(1) 1½" (30 mm) neodymium driver	(1) 1½" (30 mm) neodymium driver	-
Midrange Freq. Driver	(1) 1½" (30 mm) neodymium driver	-	-	-
Low Freq. Driver	(1) 1½" (38 mm) voice coil 8" (203 mm) woofer	(1) 1½" (38 mm) voice coil 8" (203 mm) woofer	(1) 1" (25 mm) voice coil 6½" (165 mm) woofer	(8) 1½" (38 mm) voice coil 8" (203 mm) woofer
Magnet	(1) ceramic 20 oz.	(1) ceramic 20 oz.	(1) ceramic 15 oz.	(8) ceramic 20 oz.
System Impedance	8Ω nominal	8Ω nominal	8Ω nominal	4Ω nominal
Polar Dispersion	170 degrees horizontal & vertical	170 degrees horizontal & vertical	170 degrees horizontal & vertical	360 degrees horizontal & vertical
Width	14¾" (375 mm)	14¾" (375 mm)	14¾" (378 mm)	17¼" (438 mm)
Height	20¾" (530 mm)	20¾" (530 mm)	10¾" (276 mm)	17¼" (438 mm)
Depth	3⅞" (98 mm)	3⅞" (98 mm)	3⅞" (98 mm)	31¾" (788 mm)
Weight	15 lbs. (7 kg) each	15 lbs. (7 kg) each	12 lbs. (6 kg) each	145 lbs. (65 kg) each
Crossover	Passive 3-way	Passive 2-way	Passive 2-way	-

StingRay

Environmentally Durable Sound

Speaker Application Guide	Outdoor					
	SR83	SR8	SR6	SR83-SK	SR8-SK	SR430 - Sub
Residential Audio						
Cinema LCR						
Cinema Surround / ATMOS / FX						
2-Channel / Listening Rooms						
Subwoofer - Performance / Cinema						
Subwoofer - Background						
Distributed Audio						
Premium & Primary Zones						
Secondary Zones						
Background & Small Rooms						
High Ceiling & Entryway						
Outdoor Zones - Invisible						
Outdoor Zones - Visible						
Commercial Audio						
Constant Voltage (CVS)						
Sound Reinforcement						
Sound Masking						

STANDARD 5-YEAR WARRANTY

Each Stealth speaker panel is covered against defects in manufacturing under manufacturer's warranty for a period of 5 years. The warranty coverage is limited to the repair or replacement of the speaker panel. Removal and installation is not covered. Since the condition of use is beyond our control, the user and/or installer assumes all risk. The installer is responsible for proper use, preparation and placement of materials, and bonding to any substrate.



We Are ENVIRONMENTAL Speakers

T 888.865.6800
F 360.424.8872



A Division of Dimensional Communications, Inc.
1220 Anderson Road | Mount Vernon, WA 98274

StealthAcoustics.com