

When aesthetics are a vital necessity in the décor of your home and office spaces, Adeo responds with Inceel, the screen that is visible only when it is in use. Owing to the innovative assembly system the structure is positioned inside a false ceiling and the characteristic threaded bars are height-adjusted by means of a thread lock to suit individual practical requirements. This technique allows a quick and straightforward installation at a reasonable cost, whether carried out autonomously or by third parties.

Practicality meets aesthetics: by applying two plugs on the ends of the case the anchoring system is hidden and the visual impact significantly reduced, thereby favouring an overall harmonization with the surrounding ambient.

Inceel is the ideal solution for enjoying total and uncluttered freedom in one's home or office spaces: the screen is there but it doesn't show.

Available with 50 or 70 mm lateral black borders.

See page  for Technical data



### Create your own screen with the PSS

- > **Personalized dimensions:** width and height
- > **Motor type:** standard motor or radio integrated motor (optional)
- > **Case:** available only with case
- > **Case color:** standard in White Matte. Optional in any other color for an extra cost
- > **Standard Drop:** from 5 to 45 cm
- > **Projection surface fall:** back (standard), front or reverse-roll (optional)
- > **Side of command/motor:** right only

### Projection Surfaces (see page 6)

- > Reference White 2 / Reference Grey 2
- > Ambient Grey 2
- > Vision White / Vision White Pro
- > Vision Acoustik
- > Vision Rear DB available only without black borders
- > Chroma Key, only without black borders

### Standard Accessories

- > Kit containing eight 50 cm threaded bars for installation with maximum height of 1 m
- > Unipolar switch
- > Remote control (only for radio integrated version)
- > End plates for closing the plasterboard

### Optional Accessories

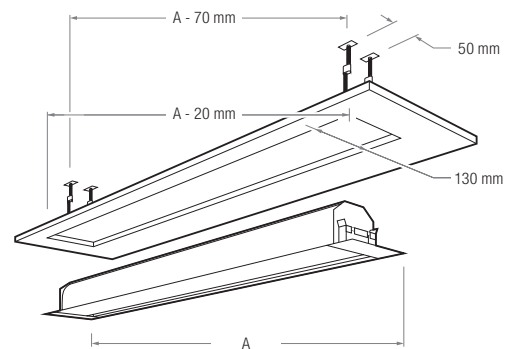
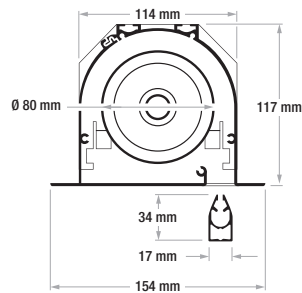
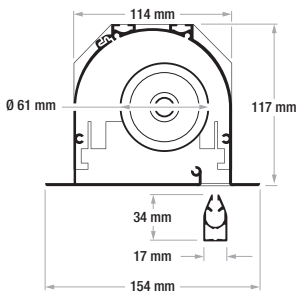
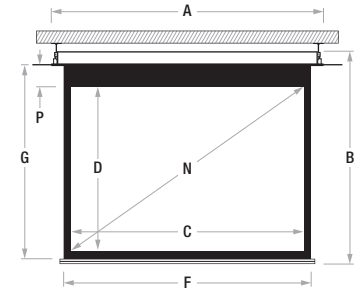
- > Interface to drive the screen in radio frequency with remote control (not included), 12V trigger, unipolar switch, dry contact or RS232
- > Receiver and infrared remote control
- > Extension brackets for screens up to 60 cm

### PSS Formats

1:1	1.33:1	1.60:1	1.78:1	2.35:1	2.37:1	2.40:1
	4:3	16:10	16:9	21:9		

## Inceel 50 mm borders

Aspect ratio	Viewing Width	Viewing Height	Diagonal Inches	Overall Width	Overall Height	Surface Width	Surface Height	Standard Drop	Total Maximum Drop	Packaging Dimensions	Net Weight	Gross Weight
	C	D	N	A	B	F	G	P	mm	mm	kg	kg
<b>1,00</b> (1:1)	1900	1900	<b>106</b>	2170	2151	2000	2000	50	50	2183x200x210	17	22
	2100	2100	<b>117</b>	2370	2351	2200	2200	50	50	2383x200x210	18	23
	2400	2400	<b>134</b>	2670	2651	2500	2550	50	50	2683x200x210	19	24
	2900	2900	<b>161</b>	3170	3201	3000	3050	100	100	3183x200x210	21	26
<b>1,33</b> (4:3)	1900	1429	<b>94</b>	2170	1680	2000	1529	50	450	2183x200x210	17	22
	2100	1579	<b>103</b>	2370	1830	2200	1679	50	450	2383x200x210	18	23
	2400	1805	<b>118</b>	2670	2056	2500	1905	50	350	2683x200x210	19	24
	2900	2180	<b>143</b>	3170	2481	3000	2330	100	450	3183x200x210	21	26
<b>1,6</b> (16:10)	1900	1188	<b>88</b>	2170	1439	2000	1288	50	450	2183x200x210	16	21
	2100	1313	<b>97</b>	2370	1564	2200	1413	50	450	2383x200x210	17	22
	2400	1500	<b>111</b>	2670	1751	2500	1600	50	450	2683x200x210	18	23
	2900	1813	<b>135</b>	3170	2064	3000	1913	50	450	3183x200x210	20	25
<b>1,78</b> (16:9)	1900	1067	<b>86</b>	2170	1318	2000	1167	50	450	2183x200x210	16	21
	2100	1180	<b>95</b>	2370	1431	2200	1280	50	450	2383x200x210	17	22
	2400	1348	<b>108</b>	2670	1599	2500	1448	50	450	2683x200x210	18	23
	2900	1629	<b>131</b>	3170	1880	3000	1729	50	450	3183x200x210	20	25
<b>2,35</b> (21:9)	1900	809	<b>81</b>	2170	1060	2000	909	50	450	2183x200x210	16	21
	2100	894	<b>90</b>	2370	1145	2200	994	50	450	2383x200x210	17	22
	2400	1021	<b>103</b>	2670	1272	2500	1121	50	450	2683x200x210	18	23
	2900	1234	<b>124</b>	3170	1485	3000	1334	50	450	3183x200x210	20	25
<b>2,37</b>	1900	1447	<b>145</b>	3670	1748	3500	1597	100	450	3683x200x210	22	27
	3400	1660	<b>167</b>	4170	1961	4000	1810	100	450	4183x200x210	24	29
	1900	802	<b>81</b>	2170	1053	2000	902	50	450	2183x200x210	16	21
	2100	886	<b>90</b>	2370	1137	2200	986	50	450	2383x200x210	17	22
<b>2,40</b>	2400	1013	<b>103</b>	2670	1264	2500	1113	50	450	2683x200x210	18	23
	2900	1224	<b>124</b>	3170	1475	3000	1324	50	450	3183x200x210	20	25
	3400	1435	<b>145</b>	3670	1736	3500	1585	100	450	3683x200x210	22	27
	3900	1646	<b>167</b>	4170	1947	4000	1796	100	450	4183x200x210	24	29
<b>2,40</b>	1900	792	<b>81</b>	2170	1043	2000	892	50	450	2183x200x210	16	21
	2100	875	<b>90</b>	2370	1126	2200	975	50	450	2383x200x210	17	22
	2400	1000	<b>102</b>	2670	1251	2500	1100	50	450	2683x200x210	18	23
	2900	1208	<b>124</b>	3170	1459	3000	1308	50	450	3183x200x210	20	25
<b>2,40</b>	3400	1417	<b>145</b>	3670	1718	3500	1567	100	450	3683x200x210	22	27
	3900	1625	<b>166</b>	4170	1926	4000	1775	100	450	4183x200x210	24	29



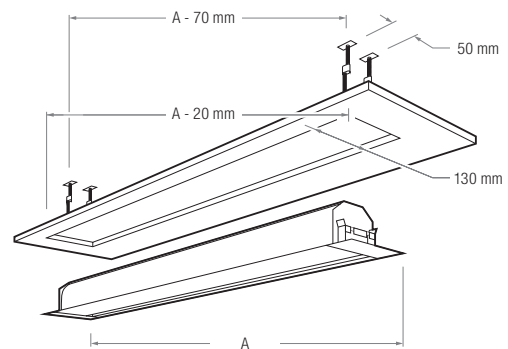
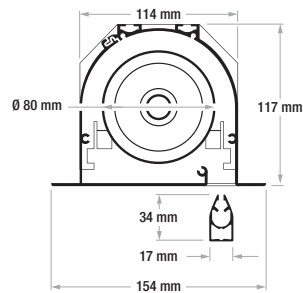
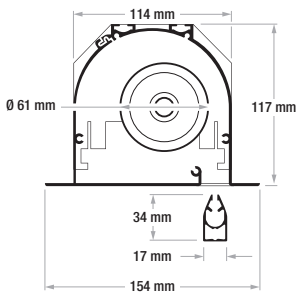
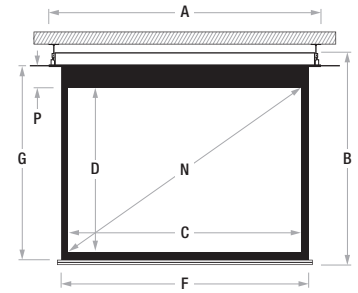
In certain circumstances, due to the surface's height, it is necessary to use a case with the rolling tube of 80 mm.



Surface Fireproof Certifications

## Inceel 70 mm borders

Aspect Ratio	Viewing Width	Viewing Height	Diagonal Inches	Overall Width	Overall Height	Surface Width	Surface Height	Standard Drop	Total Maximum Drop	Packaging Dimensions	Net Weight	Gross Weight
	C	D	N	A	B	F	G	P	mm	mm	kg	kg
1.00 (1:1)	1860	1860	104	2170	2151	1960	2000	70	70	2183x200x210	17	22
	2060	2060	115	2370	2351	2160	2200	70	70	2383x200x210	18	23
	2360	2360	131	2670	2651	2460	2530	70	70	2683x200x210	19	24
	2860	2860	159	3170	3181	2960	3030	100	100	3183x200x210	21	26
1.33 (4:3)	1860	1398	92	2170	1689	1960	1538	70	450	2183x200x210	17	22
	2060	1549	101	2370	1840	2160	1689	70	450	2383x200x210	18	23
	2360	1774	116	2670	2065	2460	1914	70	350	2683x200x210	19	24
	2860	2150	141	3170	2471	2960	2320	100	450	3183x200x210	21	26
1.60 (16:10)	3360	2526	166	3670	2847	3460	2696	100	400	3683x200x210	23	30
	1860	1163	86	2170	1454	1960	1303	70	450	2183x200x210	16	21
	2060	1288	96	2370	1579	2160	1428	70	450	2383x200x210	17	22
	2360	1475	110	2670	1766	2460	1615	70	450	2683x200x210	18	23
1.78 (16:9)	2860	1788	133	3170	2079	2960	1928	70	450	3183x200x210	20	25
	3360	2100	156	3670	2421	3460	2270	100	400	3683x200x210	22	27
	3860	2413	179	4170	2734	3960	2583	100	400	4183x200x210	24	29
	1860	1045	84	2170	1336	1960	1185	70	450	2183x200x210	16	21
2.35 (21:9)	2060	1157	93	2370	1448	2160	1297	70	450	2383x200x210	17	22
	2360	1326	107	2670	1617	2460	1466	70	450	2683x200x210	18	23
	2860	1607	129	3170	1898	2960	1747	70	450	3183x200x210	20	25
	3360	1888	152	3670	2209	3460	2058	100	450	3683x200x210	22	27
2.37	3860	2169	174	4170	2490	3960	2339	100	450	4183x200x210	24	29
	1860	791	80	2170	1082	1960	931	70	450	2183x200x210	16	21
	2060	877	88	2370	1168	2160	1017	70	450	2383x200x210	17	22
	2360	1004	101	2670	1295	2460	1144	70	450	2683x200x210	18	23
2.40	2860	1217	122	3170	1508	2960	1357	70	450	3183x200x210	20	25
	3360	1430	144	3670	1751	3460	1600	100	450	3683x200x210	22	27
	3860	1643	165	4170	1964	3960	1813	100	450	4183x200x210	24	29
	1860	785	79	2170	1076	1960	925	70	450	2183x200x210	16	21
2.40	2060	869	88	2370	1160	2160	1009	70	450	2383x200x210	17	22
	2360	996	101	2670	1287	2460	1136	70	450	2683x200x210	18	23
	2860	1207	122	3170	1498	2960	1347	70	450	3183x200x210	20	25
	3360	1418	144	3670	1739	3460	1588	100	450	3683x200x210	22	27
2.40	3860	1629	165	4170	1950	3960	1799	100	450	4183x200x210	24	29
	1860	775	79	2170	1066	1960	915	70	450	2183x200x210	16	21
	2060	858	88	2370	1149	2160	998	70	450	2383x200x210	17	22
	2360	983	101	2670	1274	2460	1123	70	450	2683x200x210	18	23
2.40	2860	1192	122	3170	1483	2960	1332	70	450	3183x200x210	20	25
	3360	1400	143	3670	1721	3460	1570	100	450	3683x200x210	22	27
	3860	1608	165	4170	1929	3960	1778	100	450	4183x200x210	24	29



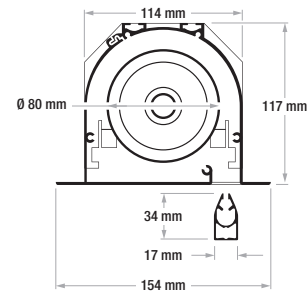
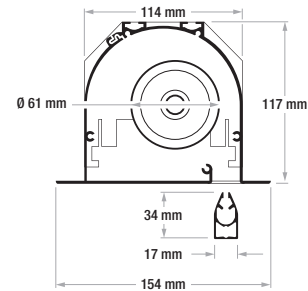
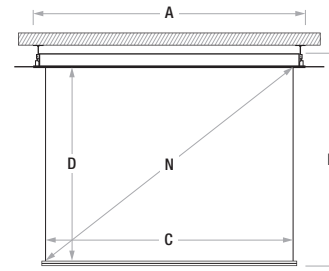
In certain circumstances, due to the surface's height, it is necessary to use a case with the rolling tube of 80 mm.



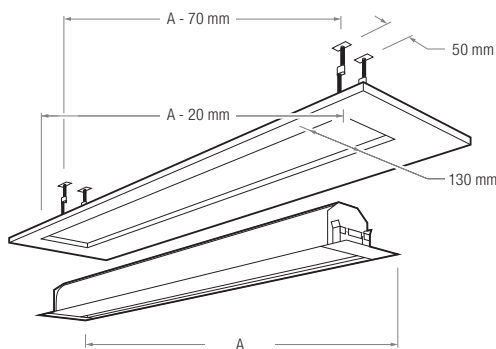
Surface  
Fireproof  
Certifications

## Inceel Without borders

Aspect ratio	Viewing Width	Viewing Height	Diagonal Inches	Overall Width	Overall Height	Packaging Dimensions	Net Weight	Gross Weight
	C	D	N	A	B			
1,00 (1:1)	1800	1800	100	1970	1951	1983x200x210	16	21
	2000	2000	111	2170	2151	2183x200x210	17	22
	2200	2200	122	2370	2351	2383x200x210	18	23
	2500	2500	139	2670	2651	2683x200x210	19	24
	3000	3000	167	3170	3151	3183x200x210	21	26
1,33 (4:3)	2000	1504	99	2170	1655	2183x200x210	17	22
	2200	1654	108	2370	1805	2383x200x210	18	23
	2500	1880	123	2670	2031	2683x200x210	19	24
	3000	2256	148	3170	2407	3183x200x210	21	26
	3500	2632	172	3670	2783	3683x200x210	23	30
1,60 (16:10)	2000	1250	93	2170	1401	2183x200x210	16	21
	2200	1375	102	2370	1526	2383x200x210	17	22
	2500	1563	116	2670	1714	2683x200x210	18	23
	3000	1875	139	3170	2026	3183x200x210	20	25
	3500	2188	162	3670	2339	3683x200x210	22	27
1,78 (16:9)	2000	1124	90	2170	1275	2183x200x210	16	21
	2200	1236	99	2370	1387	2383x200x210	17	22
	2500	1404	113	2670	1555	2683x200x210	18	23
	3000	1685	135	3170	1836	3183x200x210	20	25
	3500	1966	158	3670	2117	3683x200x210	22	27
2,35 (21:9)	2000	851	86	2170	1002	2183x200x210	16	21
	2200	936	94	2370	1087	2383x200x210	17	22
	2500	1064	107	2670	1215	2683x200x210	18	23
	3000	1277	128	3170	1428	3183x200x210	20	25
	3500	1489	150	3670	1640	3683x200x210	22	27
2,37	2000	844	85	2170	995	2183x200x210	16	21
	2200	928	94	2370	1079	2383x200x210	17	22
	2500	1055	107	2670	1206	2683x200x210	18	23
	3000	1266	128	3170	1417	3183x200x210	20	25
	3500	1477	150	3670	1628	3683x200x210	22	27
2,40	2000	833	85	2170	984	2183x200x210	16	21
	2200	917	94	2370	1068	2383x200x210	17	22
	2500	1042	107	2670	1193	2683x200x210	18	23
	3000	1250	128	3170	1401	3183x200x210	20	25
	3500	1458	149	3670	1609	3683x200x210	22	27
4000	1667	171	4170	1818	4183x200x210	24	29	



In certain circumstances, due to the surface's height, it is necessary to use a case with the rolling tube of 80 mm.



Surface Fireproof Certifications