

marantz

Quick Start Guide

MODEL  | Integrated Amplifier

Before you begin

What's in the box

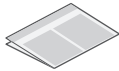
Quick Start Guide



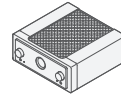
Safety instructions



Warranty
(for North America
model only)



Amplifier



Power cord



Remote control
(RC004PMND)

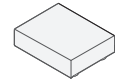


2× R03/AAA batteries



Required for setup

Source device
(e.g., a CD player,
network audio player,
or turntable)



Speakers



Speaker cables



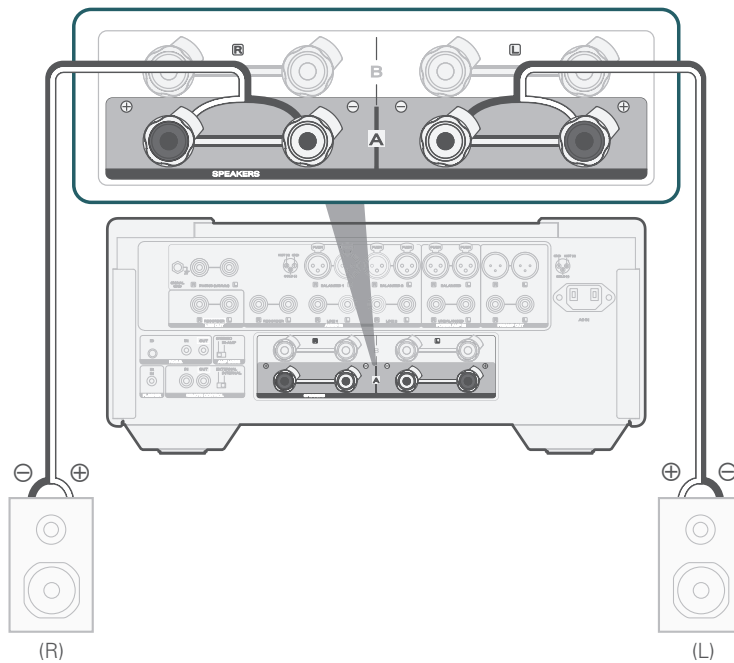
Audio cable



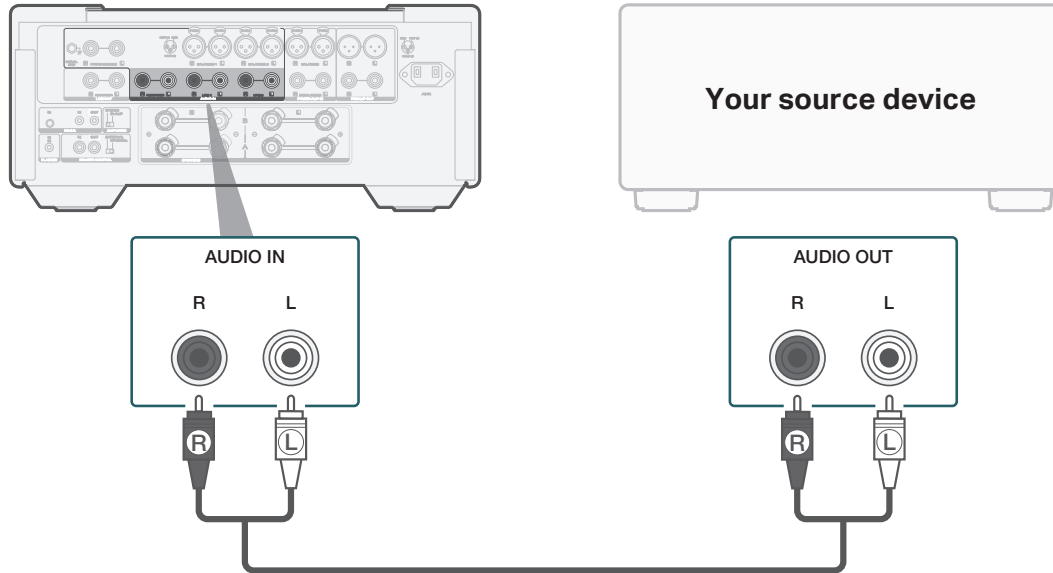
Setup

1 Connect the speakers to MODEL 10

Connect your speaker cables between the MODEL 10 and your speakers.



2 Connect your source device

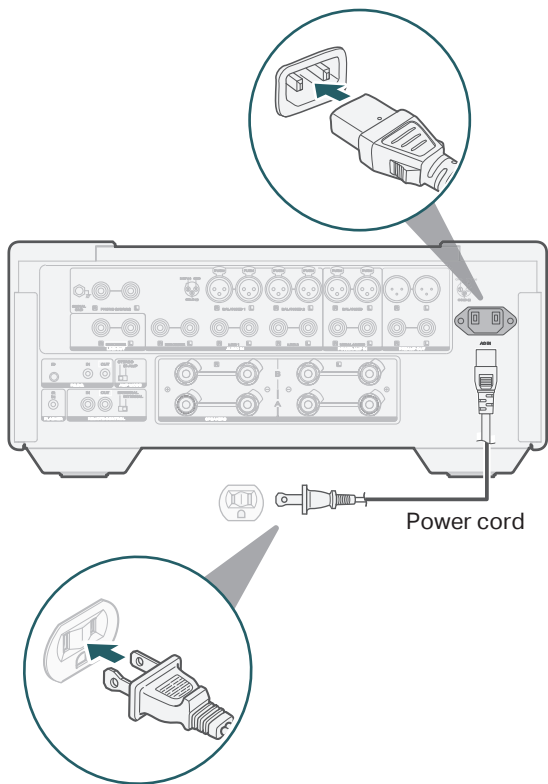


- For details, see the online owner's manual.
manuals.marantz.com/MODEL10/NA/EN/

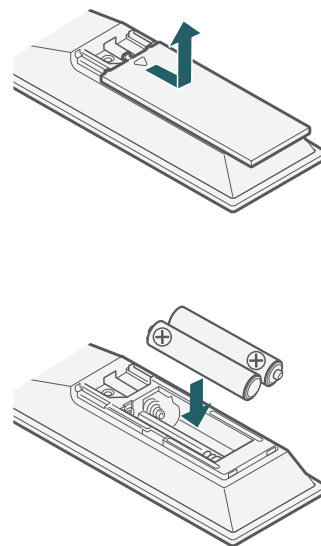


3 Connect to power

Connect the power cable between the MODEL 10 and a wall outlet.



4 Install batteries in the remote control



- Batteries can be taken out in reversed order.

5 Begin source playback

- 1 Press AMP.
Switch the remote control operating mode to this unit.



- 2 Press the power (⏻) button.



- 3 Set the input source to the matching input or your source device (e.g., Line 1, Line 2, or Phono).



- 4 Ensure source device is connected to power and play content.

- 5 Adjust the volume.



Contact Marantz



1-800-654-6633

We hope you will enjoy your Marantz product for years to come. If you ever have any question or need any support, just get in touch via the free helpline. We are happy if you are happy.

In case you can't reach the helpline please check the support section on **www.marantz.com** for more information.

Owner's manual

Refer to the online manual for other functions, information and operation procedure details.

manuals.marantz.com/MODEL10/NA/EN/



marantz