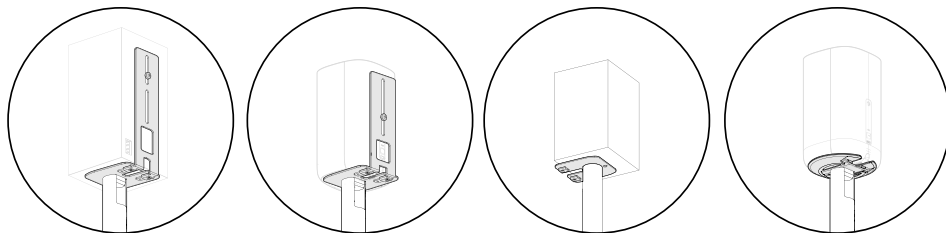


SANUS®

A brand of  Legrand

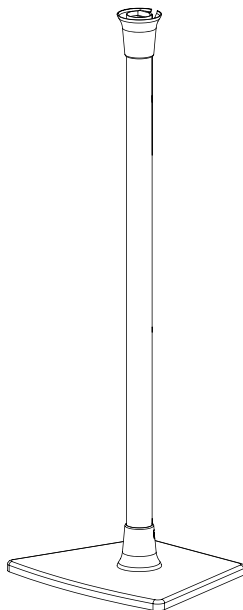


BSSU2 Speaker Stand

Works with Roku®, Sonos® Era 100™,
Samsung®, Sony®, Denon®, and others.

INSTRUCTION MANUAL

Texto en español, página 22



We'll Make It Stress-Free

If you have any questions along the way,
just give us a call.

+1 (800) 359-5520

We're ready to help!

IMPORTANT SAFETY INSTRUCTIONS

— PLEASE READ ENTIRE MANUAL PRIOR TO USE — SAVE THESE INSTRUCTIONS

Before getting started, let's make sure this product is perfect for you!

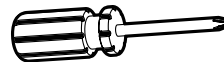
⚠ CAUTION: Avoid potential personal injuries and property damage!

- Check your speaker owner's manual to see if there are any special requirements for mounting your speaker.
- Please read through these instructions completely to be sure you're comfortable with this easy install process.
- Do not use this product for any purpose not explicitly specified by manufacturer.
- Manufacturer is not responsible for damage or injury caused by incorrect assembly or use.
- If you do not understand these instructions or have doubts about the safety of the installation, assembly or use of this product, contact Customer Service at US: +1 (800) 359-5520

**Speaker
Weight Limit**
**DO NOT
EXCEED**



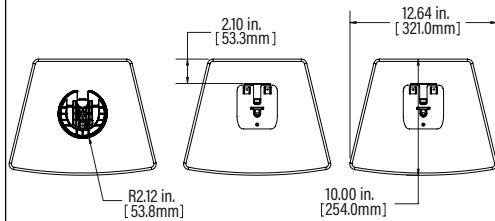
Tool Needed



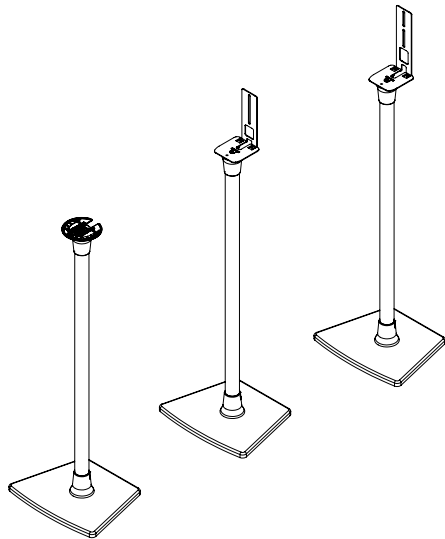
Screwdriver

Dimensions

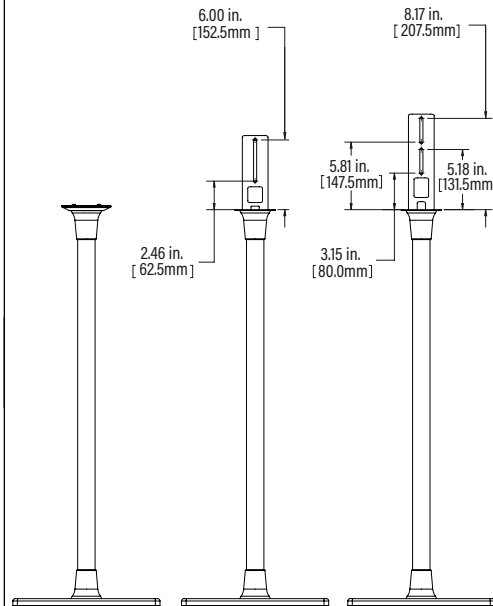
TOP VIEW



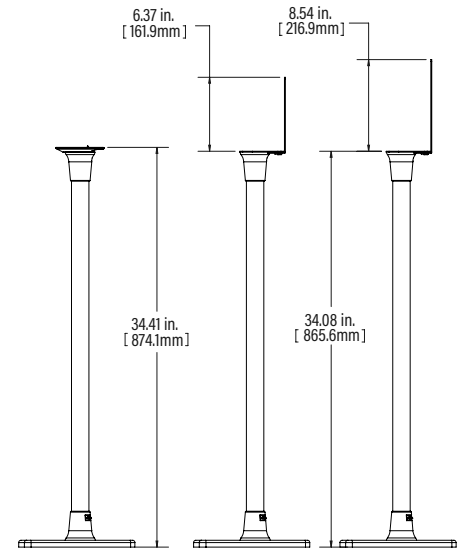
3-D



FRONT VIEW



SIDE VIEW



Parts and Hardware

⚠ WARNING: This product contains small items that could be a choking hazard if swallowed.

Before starting assembly, verify all parts are included and undamaged. If any parts are missing or damaged, do not return the damaged item to your dealer; contact Customer Service. Never use damaged parts!

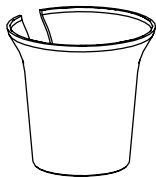
📄 NOTE: Not all hardware included will be used.

Quantities shown are for one speaker stand.

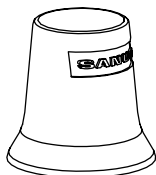
STEP 1



Tube
01 x1

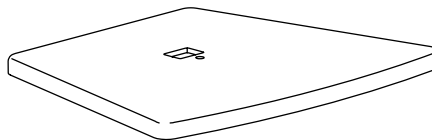


Top Collar
02 x1

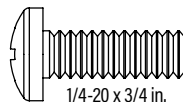


Bottom Collar
03 x1

STEP 2



Base
04 x1



**Base Assembly
Screw**

05 x1

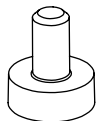
1/4-20 x 3/4 in.



Lock Washer

06 x1

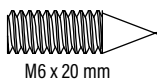
STEP 4



Rubber Pad

07 x4

OPTIONAL



M6 x 20 mm

Carpet Spike

08 x4



M6

Jam Nut

09 x4

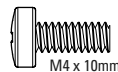
STEP 5-A

Speaker Screws

[only one size fits your speaker]

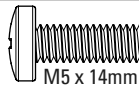
x1 14

M4 Speaker Screw

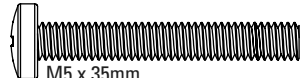


M4 x 10mm

M5 Speaker Screws



M5 x 14mm

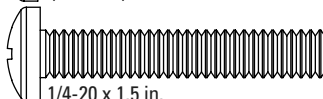


M5 x 35mm

1/4-20 Speaker Screws

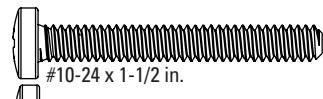


1/4-20 x 1/2 in.



1/4-20 x 1.5 in.

#10 Speaker Screws



#10-24 x 1-1/2 in.



#10-24 x 3/8 in.



Top Bracket (5-A)

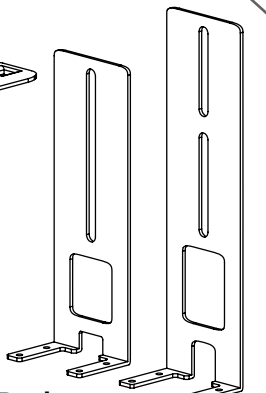
10 x1



M4 x 8mm

Back Bracket Screw

11 x2



Back Bracket Short

12 x1

Back Bracket Long

13 x1

Spacer [if needed]

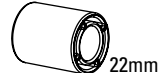
x1 15 each



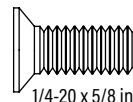
2.5mm



5mm



22mm



1/4-20 x 5/8 in.

Top Bracket Screw (5-A & 5-B)

16 x1

STEP 5-B



Speaker Bracket

17 x1

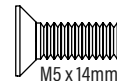


Top Bracket (5-B)

18 x1

E100 Speaker Screws

19 x1



M5 x 14mm

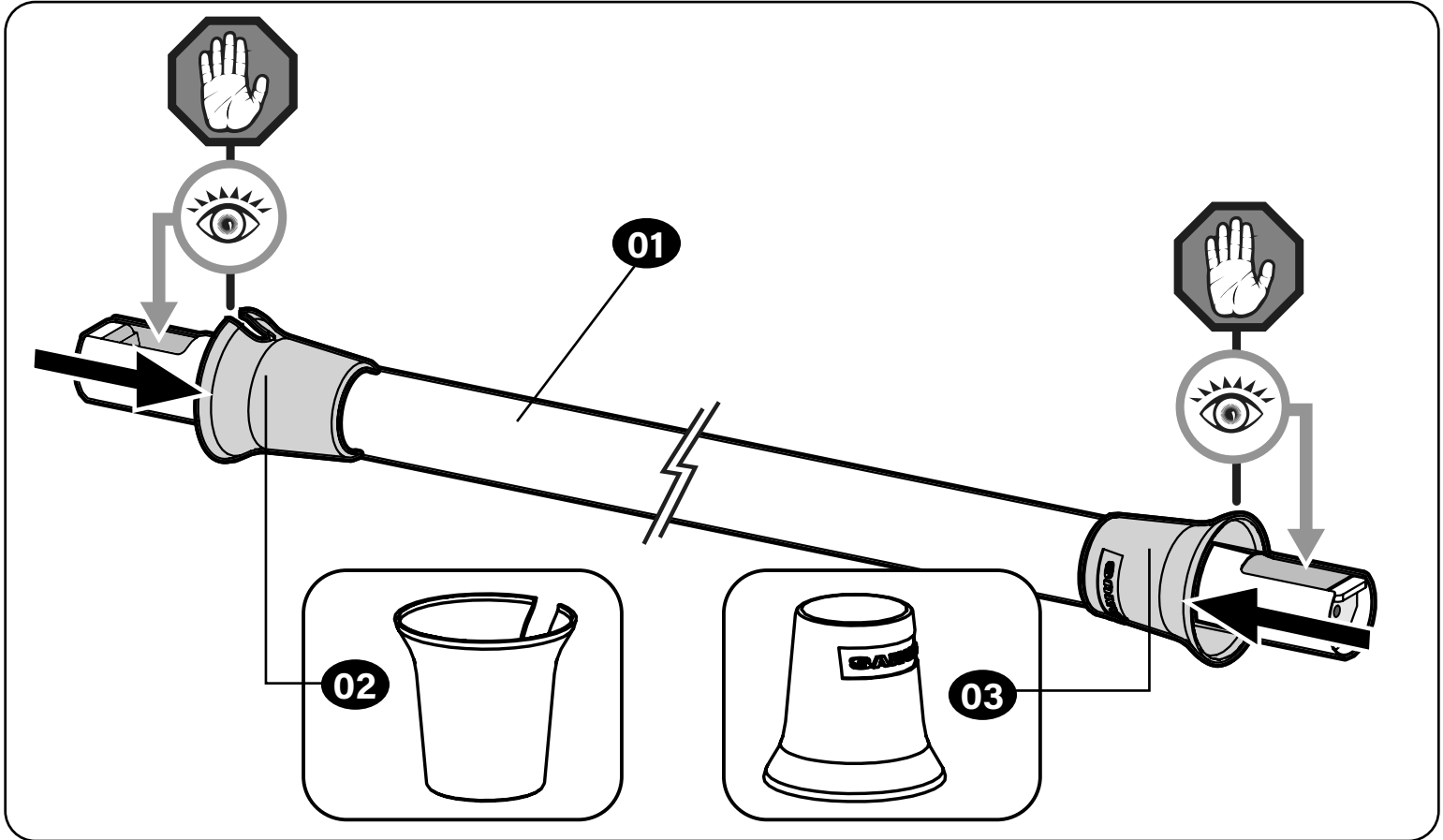
20 x1



10-24 x 3/8 in.

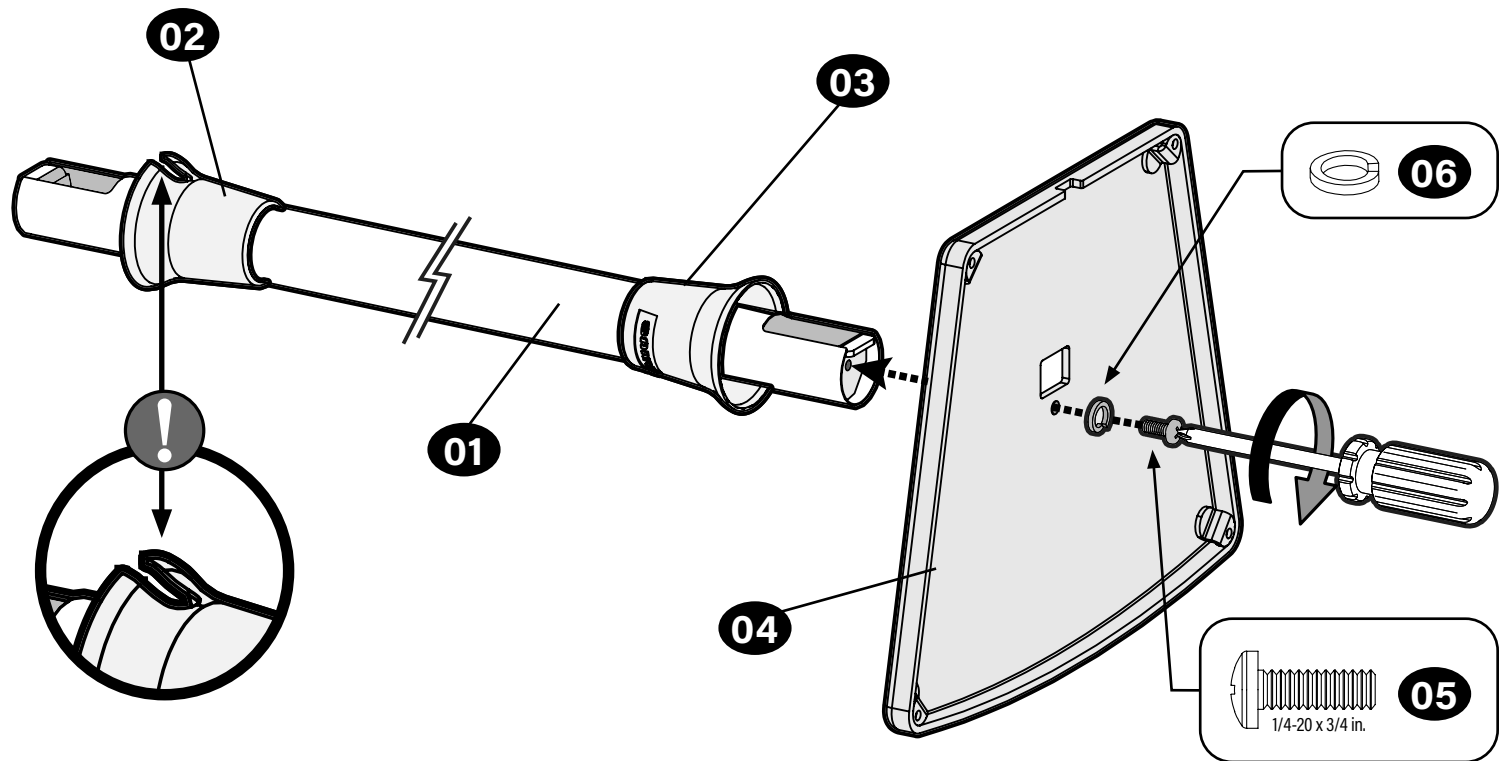
STEP 1

Slide Collars onto Tube



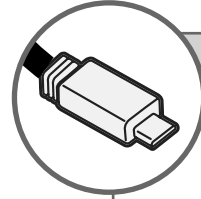
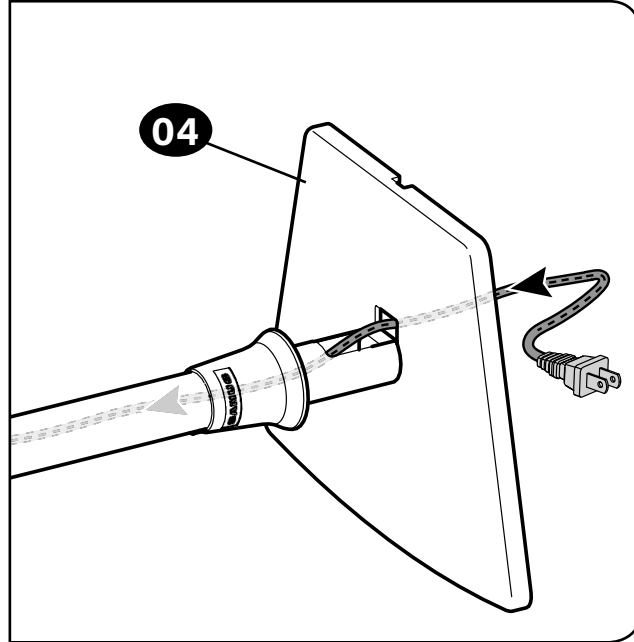
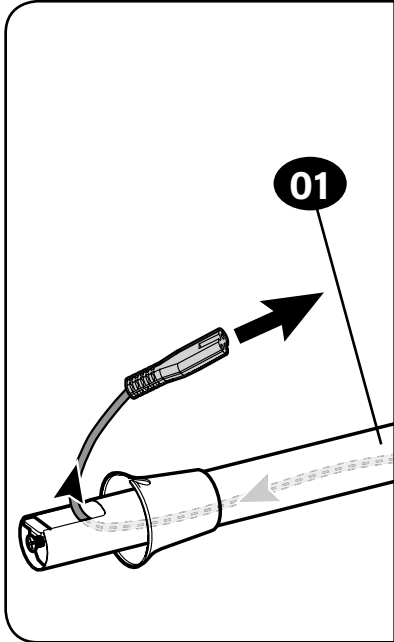
STEP 2

Attach Base to Tube




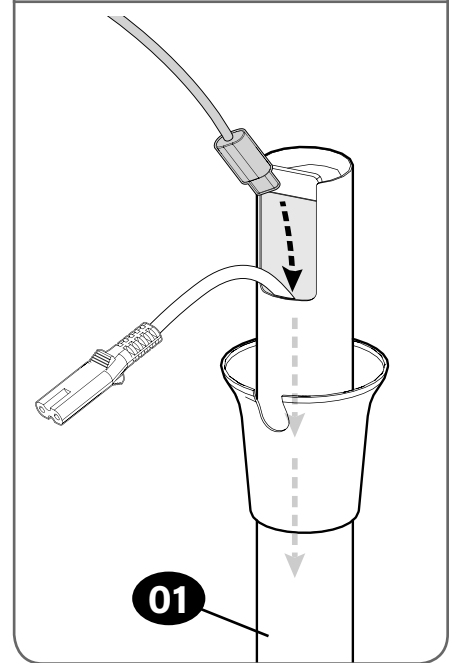
STEP 3

Route Speaker Power Cable



USB [OPTIONAL]

 **NOTE:** USB, if required (see your speaker manual), installs easier AFTER the power cable.

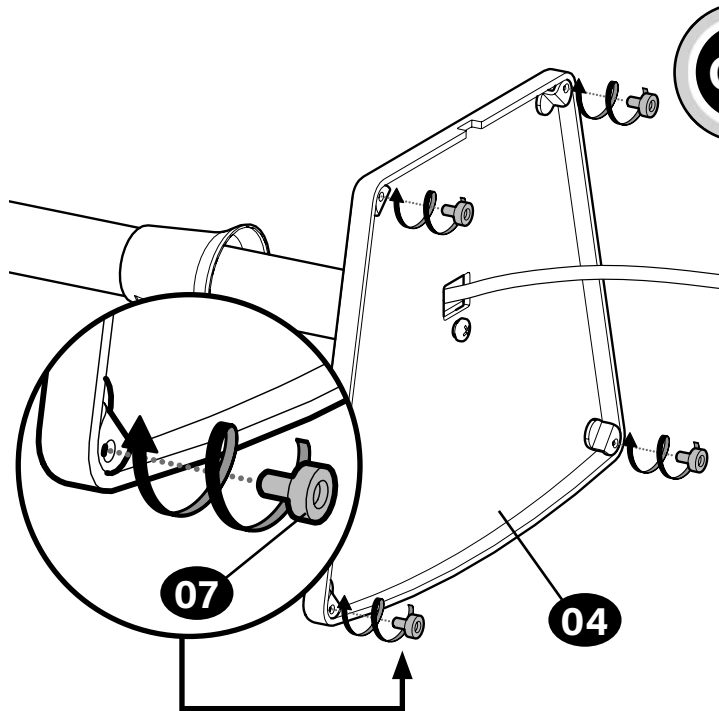


STEP 4

Install Rubber Pads -or- Carpet Spikes

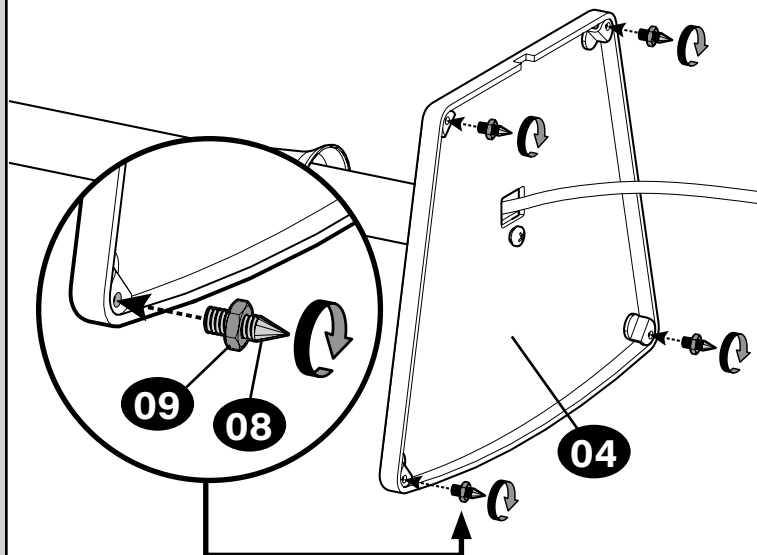
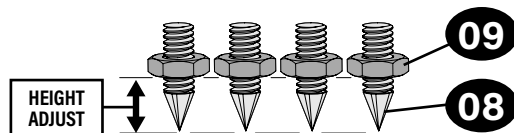
Rubber Pads

Twist rubber pads **07** into the base **04**.

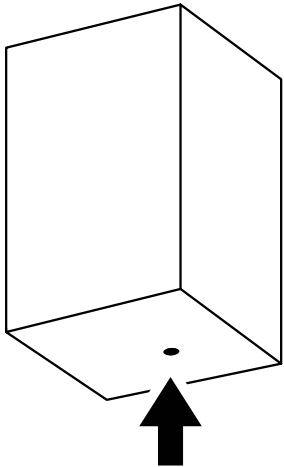
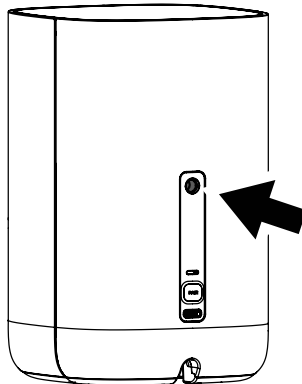
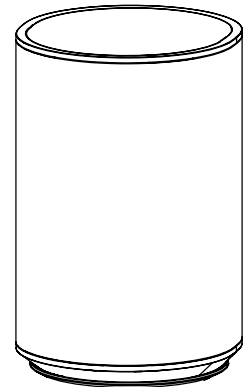


Optional Carpet Spikes

⚠ WARNING: The ends of carpet spikes **08** are sharp and may scratch flooring, damage wiring, or be hazardous to children.

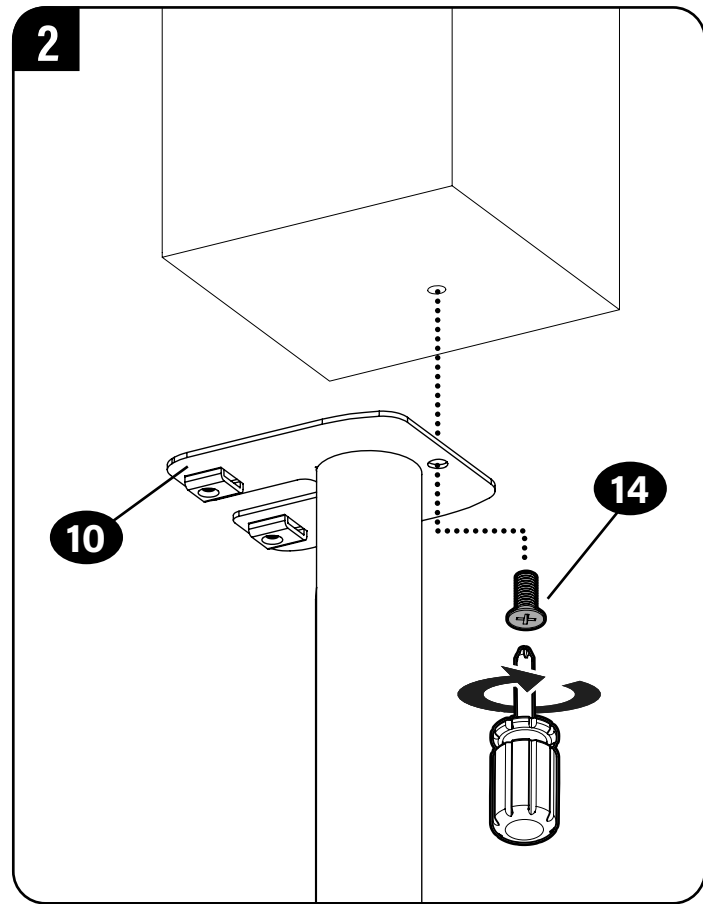
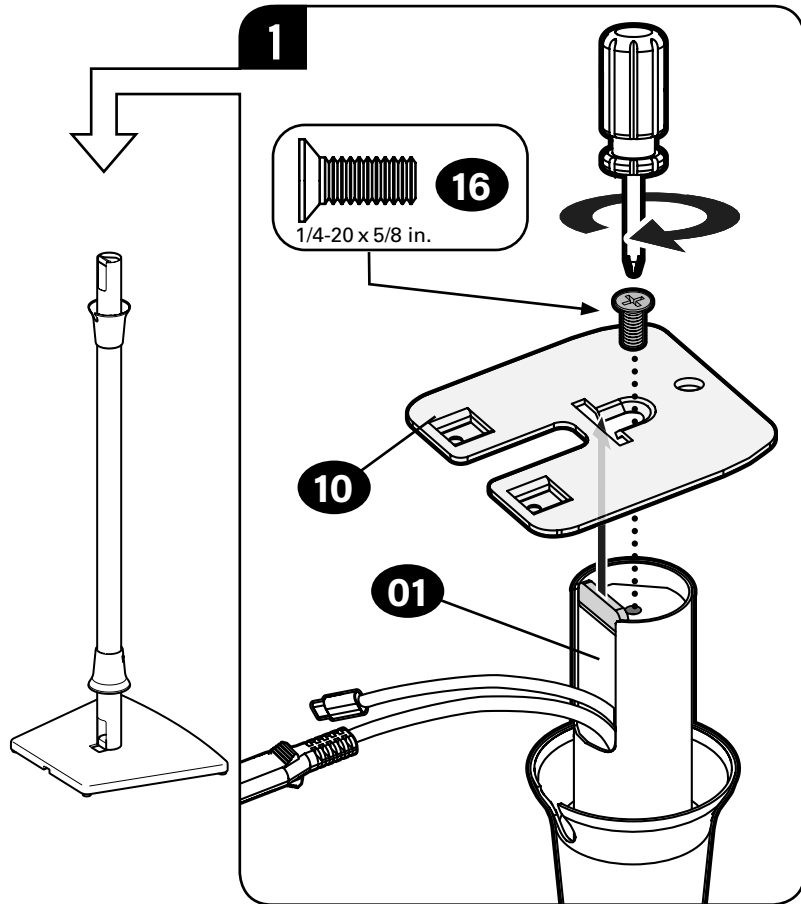


Follow the next steps based on your speaker style.

STEP 5-A [PAGE 11]**Bottom-mounted
Speakers****STEP 5-B [PAGE 12]****Back-mounted
Speakers****STEP 5-C [PAGE 16]****Sonos® Era 100™**

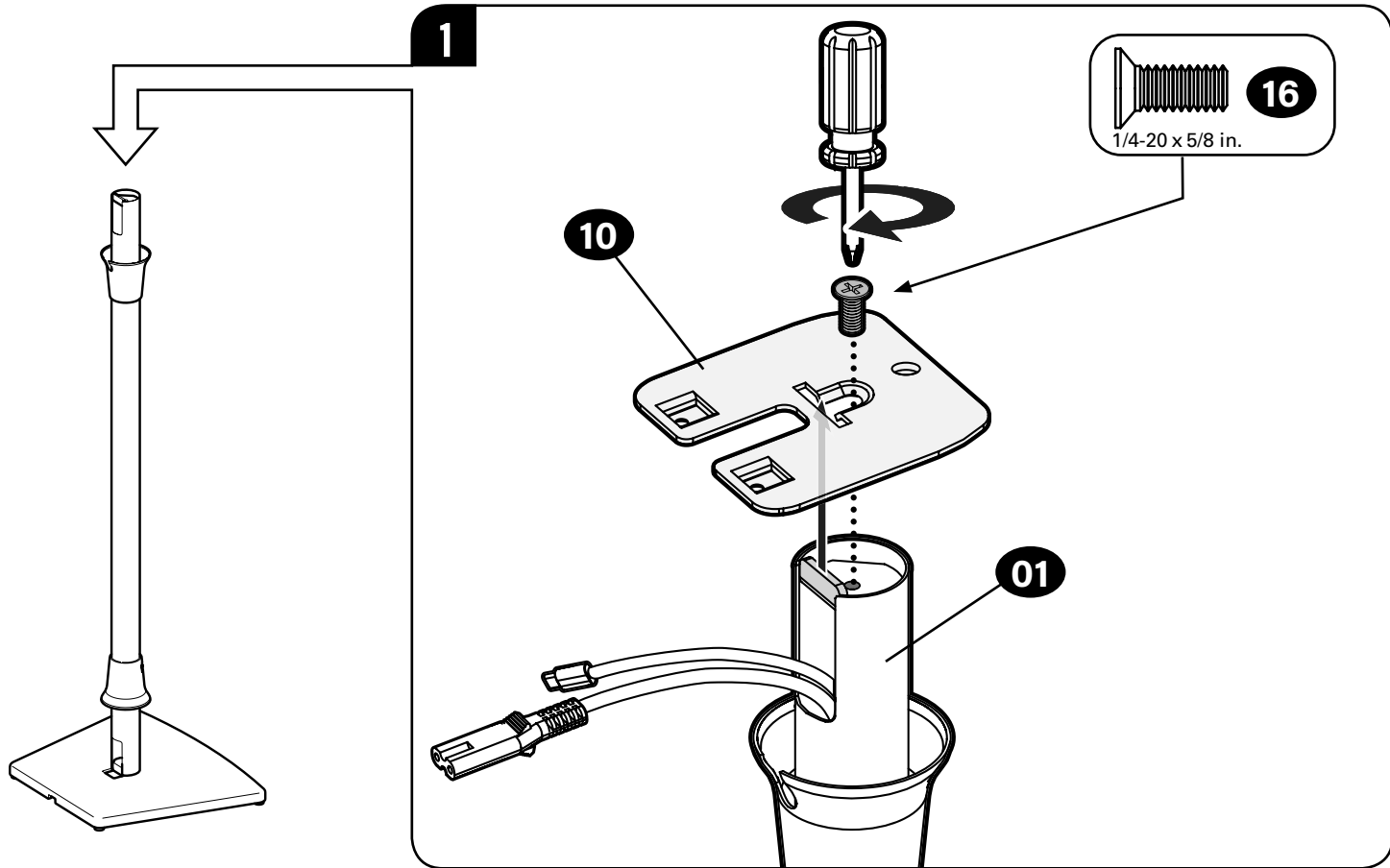
STEP 5-A

Bottom-Mounted Speakers



STEP 5-B

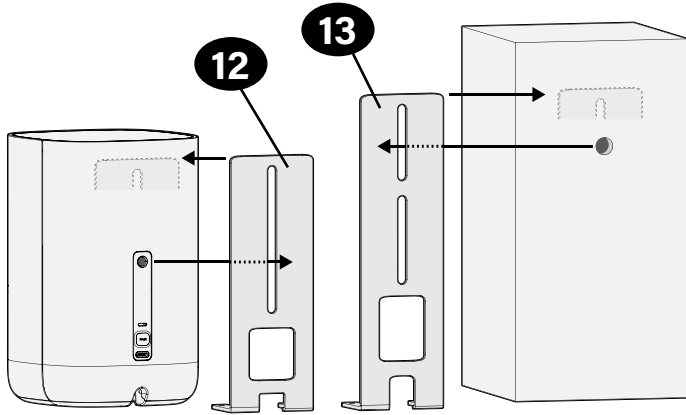
Back-Mounted Speakers



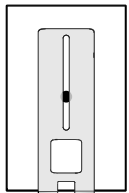
2



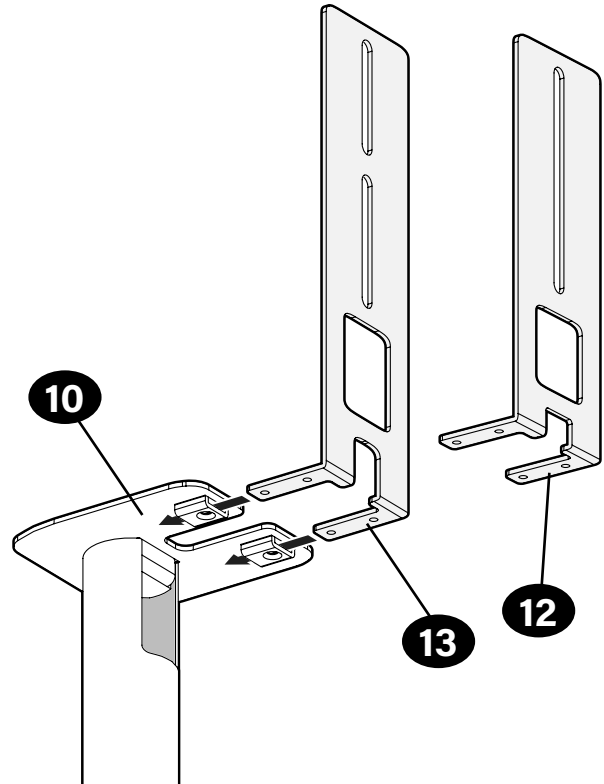
NOTE: Use the speaker bracket **12** or **13** that best fits your speaker.




! IMPORTANT: Speaker must be centered on bracket **12** / **13**.

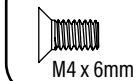
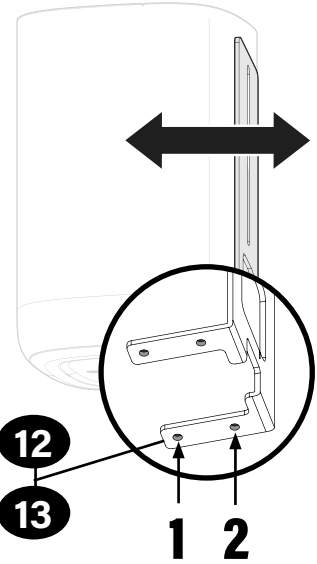


3

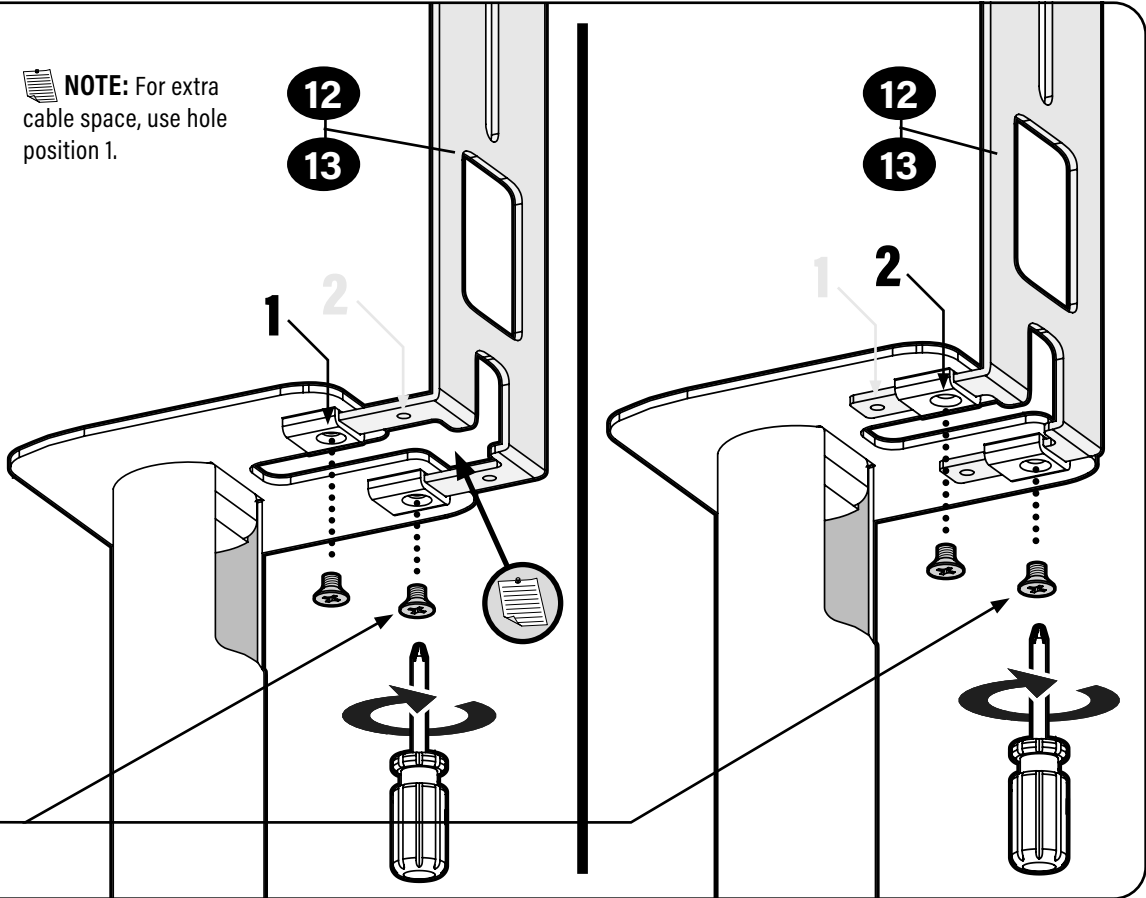


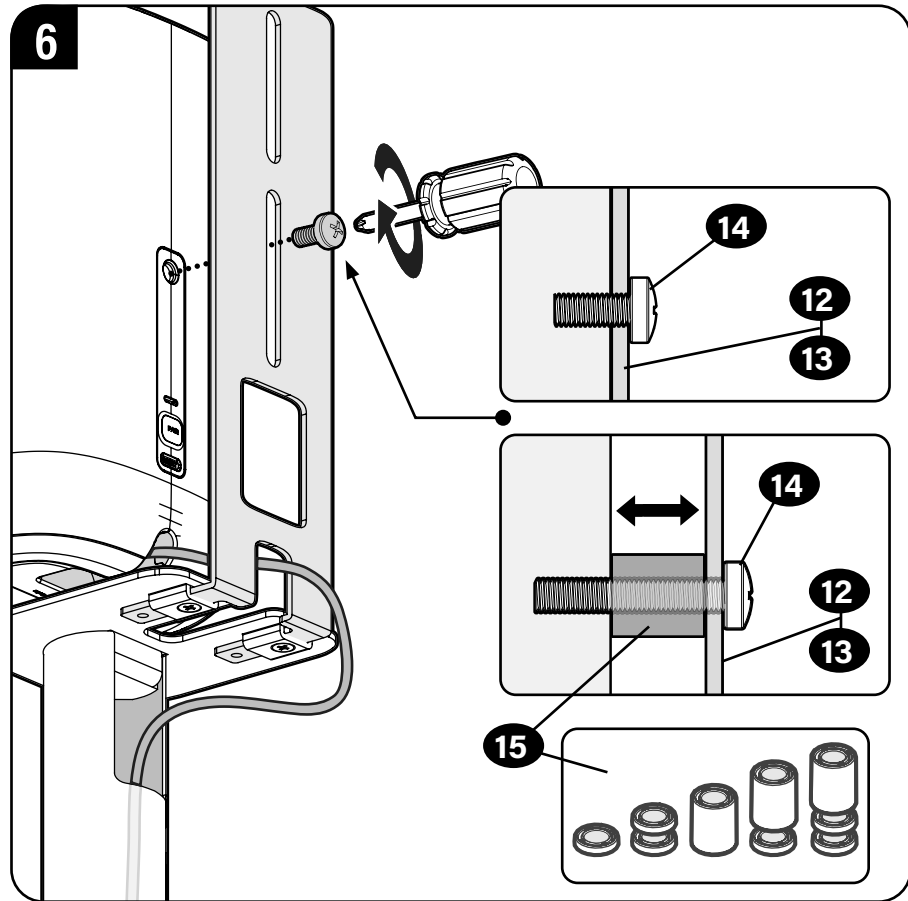
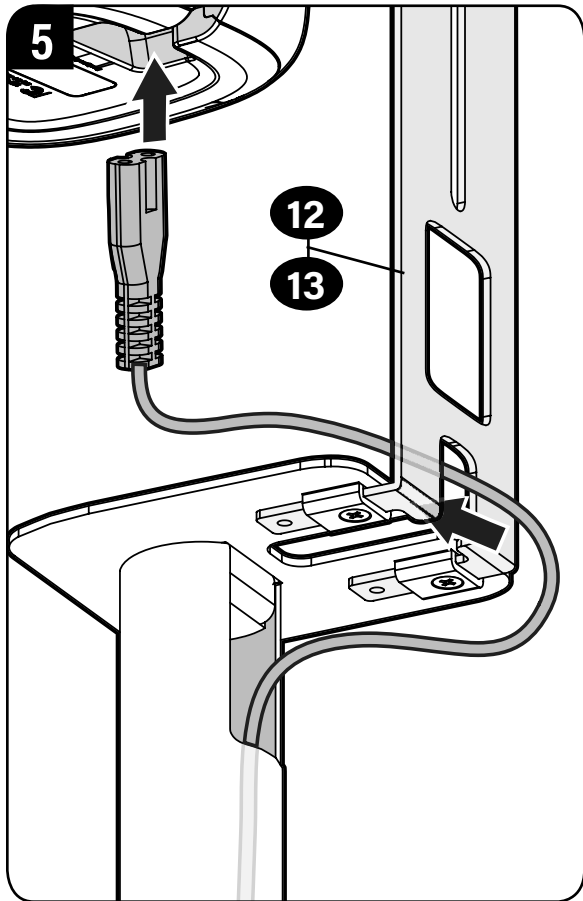
4

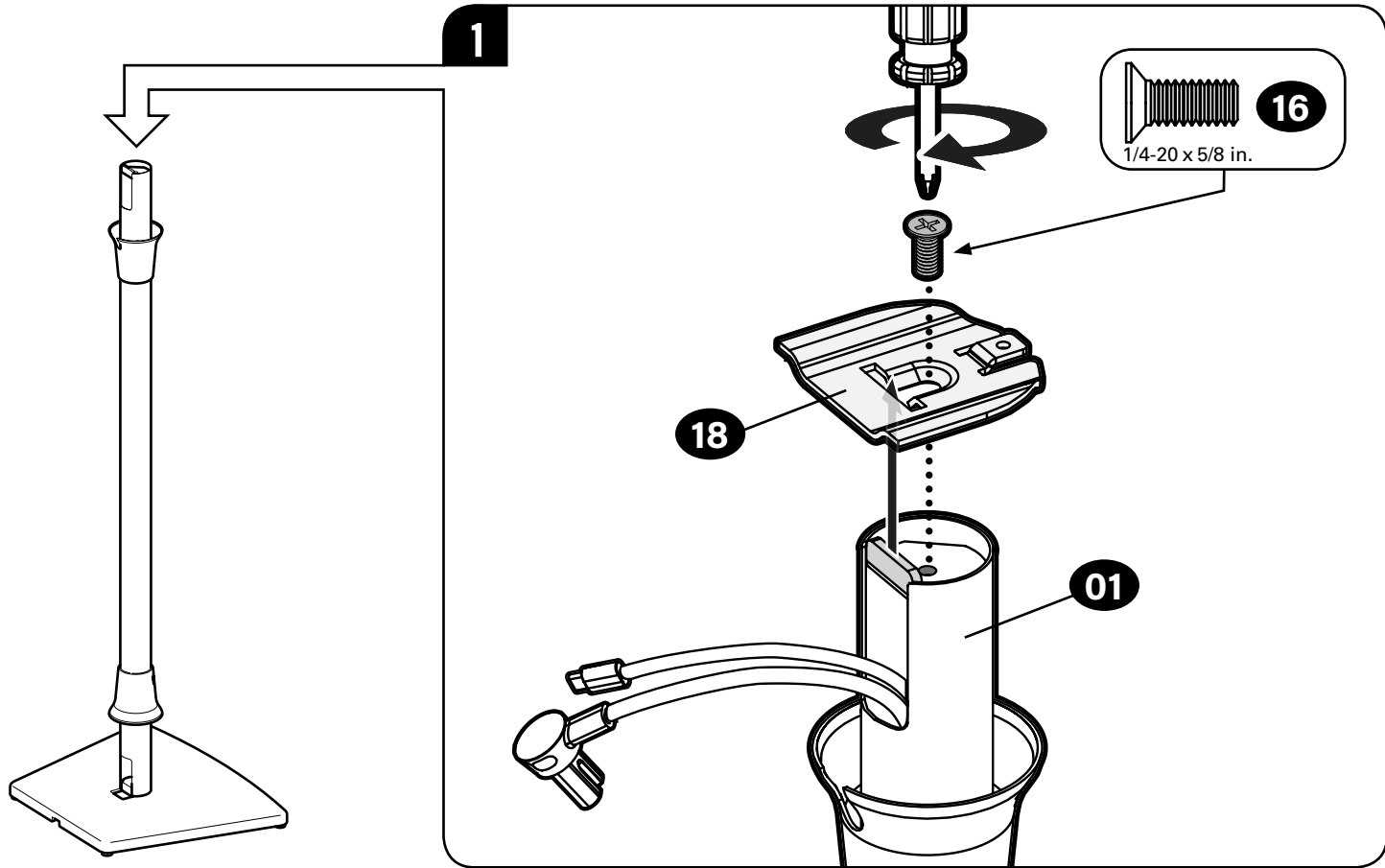
 **NOTE:** For extra cable space, use hole position 1.

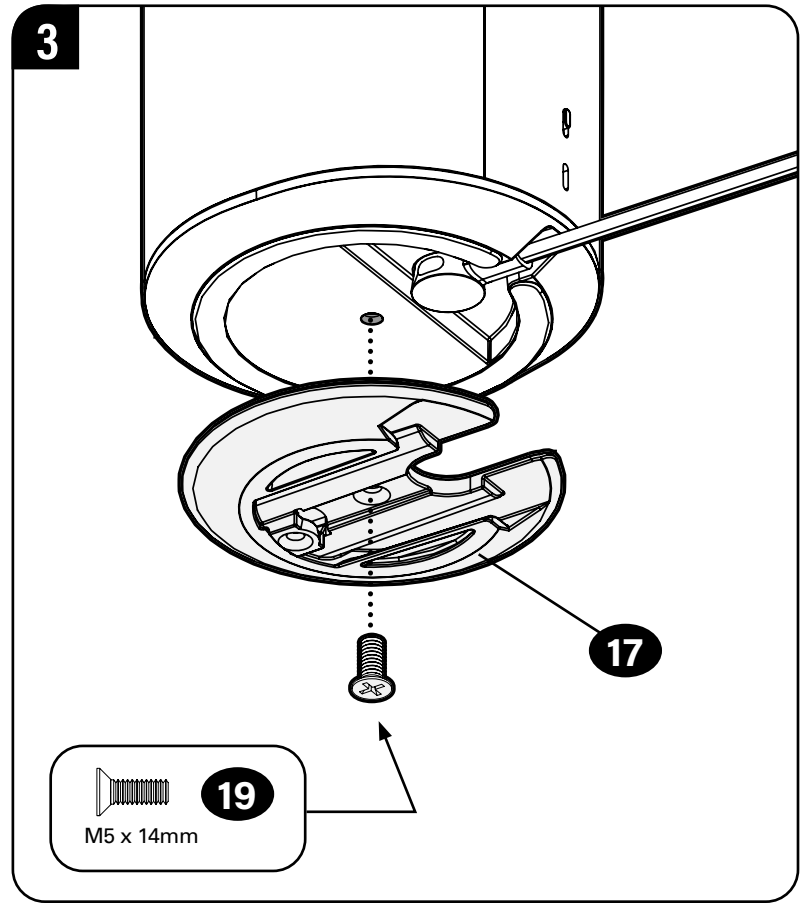
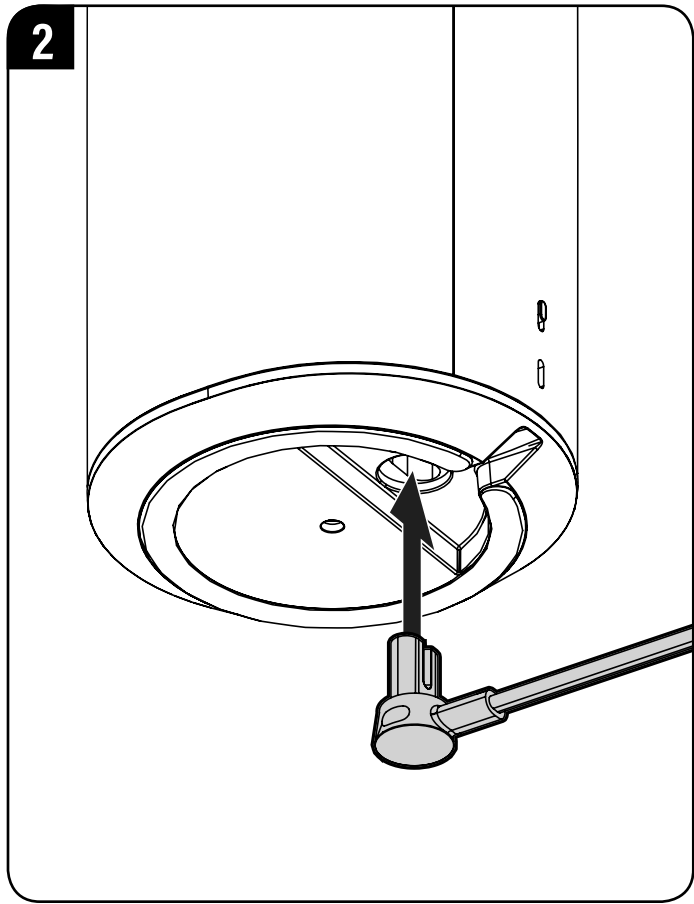


11

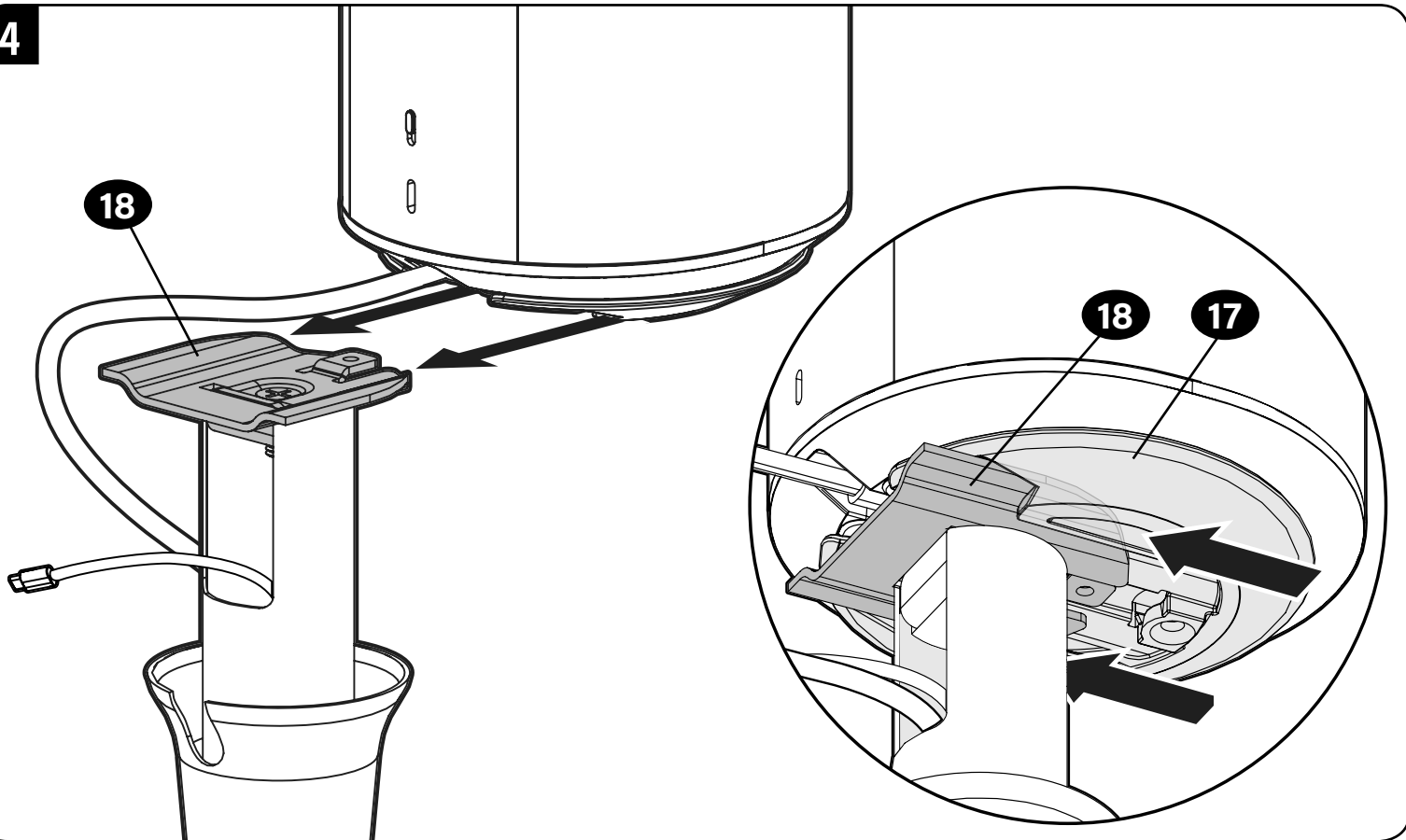




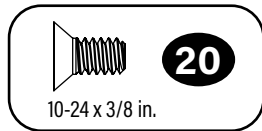
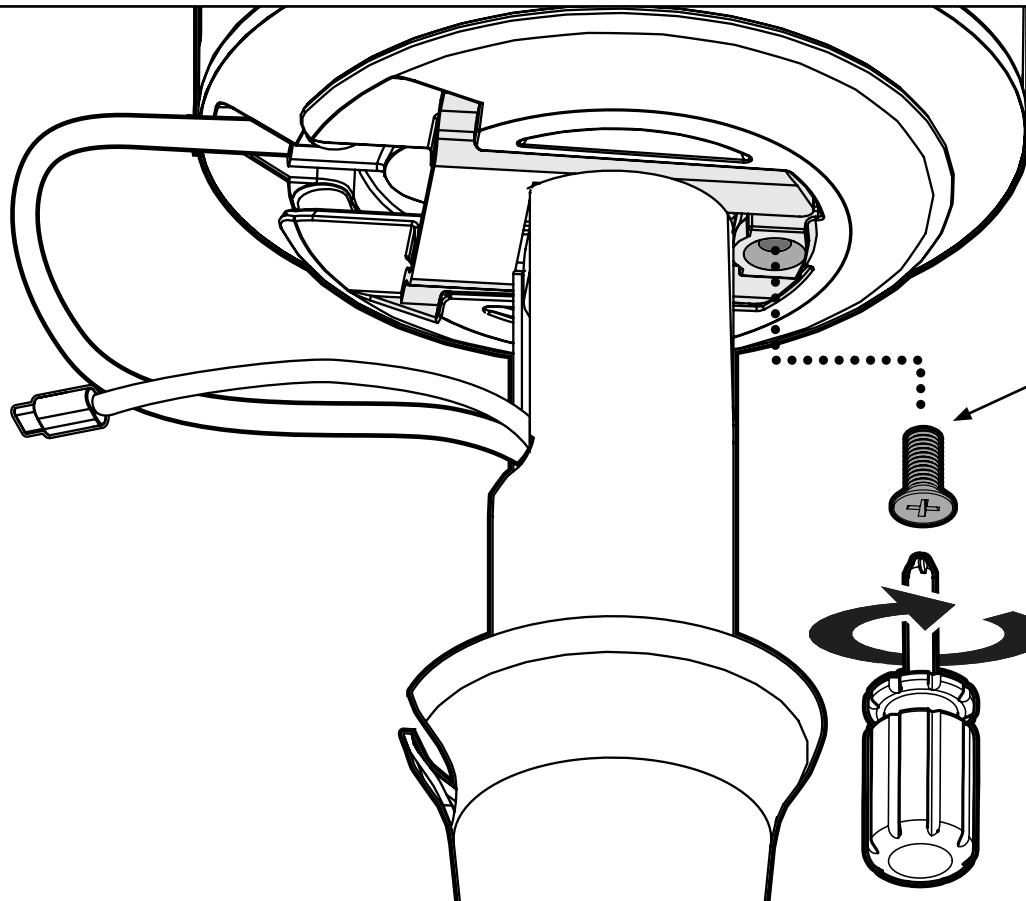




4

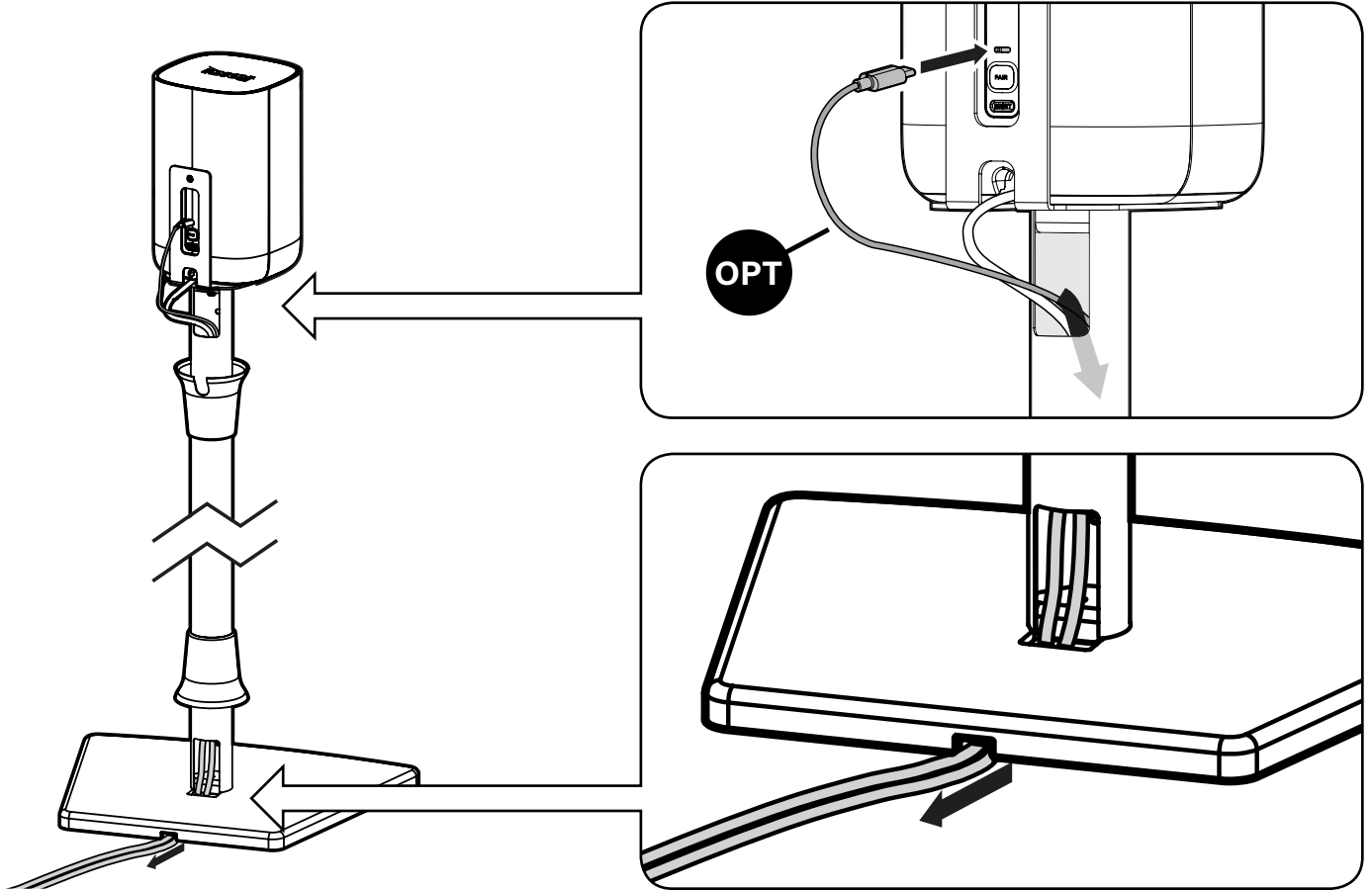


5



STEP 6

Adjust Cables



STEP 7

Position Collars

