

OUTDOOR SUBWOOFER



Recommended Applications:

- Added Bass for Outdoor Audio Systems
- Outdoor Home Theater
- Marine Audio Systems
- Sound Masking Systems

Performance:

- 400 Watts RMS
- 20Hz to 100Hz (see Figure 1)
- 200W minimum recommended power

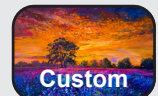
Factory Finish Options:

The StingRay is available in Matte White, and Matte Black.

Custom Finish Options:

Finish options may include paint or exterior grade adhesive vinyl appliques (not included).

Finish Options:



The Stealth Acoustics StingRay 430™ is a monaural environmentally protected outdoor subwoofer speaker system.

The StingRay 430™ features Stealth's proprietary Fidelity Glass™ radiating surface made from extremely durable and impenetrable glass fiber that resists elements like salt water, sunlight or harsh temperatures, while providing low frequency sound.

The StingRay 430™ offers powerful advantages over traditional outdoor subwoofers. The speaker is impervious to the elements and can be placed in almost any outdoor setting. Rated at IP-66, the StingRay 430™ does not allow dust or moisture to enter the device, making it perfect for any outdoor application where wide coverage, low frequency sound and ultimate environmental durability are required.

Traditional input terminals have been replaced with a waterproof cable exit and a sunlight/moisture resistant 2' cable pigtail. UG rated butt splice connectors are provided for superior corrosion resistance connections to feed wiring.

The Stealth Acoustics StingRay 430™ incorporates a total of 8 acoustically coupled, high-power, 8" cone woofers and a passive radiator.

Using acoustic lever principals, the StingRay 430™ provides exceptional bass output from 20Hz to 100Hz by trading off excursion for surface area to propagate bass waveforms. Each of the 4 sides of the speaker has 326 sq. in. (2,103 sq. cm) of active area for a total of 1,304 sq. in. (8,413 sq. cm).

The StingRay 430™ is offered in matte black, and matte white, or may be custom painted or vinyl wrapped to match almost any environment.

Stealth Acoustics recommends the companion models SA255 350-watt subwoofer amplifier/crossover Or the SA2400 450-watt amplifier/DSP as a matched amplifier for the Stingray 430™ speaker.

Stealth Acoustics also offers a line of full-range outdoor speakers that when combined with the Stingray 430™, deliver a complete, outdoor audio solution

The Stealth Acoustics StingRay 430™ is covered by a 5 year manufacturer's warranty.

Architectural & Engineering Specifications

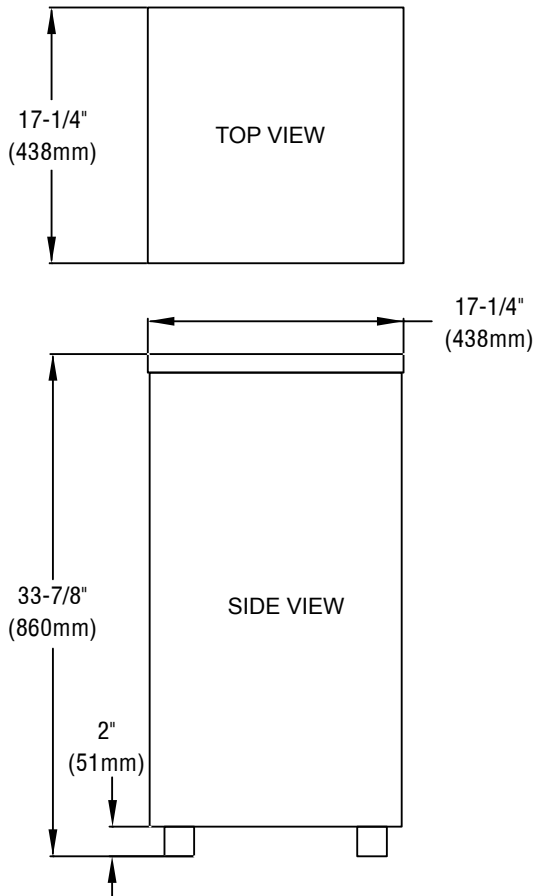
The outdoor subwoofer low frequency flat-panel system shall be hermetically sealed with an operating range from 20Hz to 100Hz

The subwoofer shall be made up of 4 panels with each panel having a total radiating surface of 326 sq. in. (2,103 sq. cm). Each panel shall be driven by two 8" (203 mm) woofers with a nominal system impedance of 4Ω Total power handling is 400 watts RMS according to EIA standard RS-426-A.

The subwoofer shall be environmentally stable for outdoor usage and shall resist particulates and moisture to IEC ingress protection rating of IP-66 The loudspeaker shall measure 17¼" (438 mm) × 17¼" (438 mm) × 31" (788 mm)

Speaker finishing methods shall consist of factory standard matte black, matte white, or custom finished using paint or exterior-grade vinyl graphics as specified.

The loudspeaker shall be the Stealth Acoustics model SR430 (*specify standard white, standard black, or any custom finishing requirements*). The subwoofer shall carry a 5 year manufacturer's warranty.



Product Specifications

Frequency Response:

20Hz to 100Hz (see Figure 1)

Power Capacity:

400 watts RMS
200 watts minimum recommended power

Sensitivity:

86 dB (1 watt / 1 meter)

Driver Components:

Low-frequency: Eight 1½" (38 mm) voice coil 8" (203 mm) woofer, 20 oz. (622 gr) ceramic magnet

System Impedance:

4Ω nominal

Polar Dispersion:

360 degrees vertical and horizontal

Dimensions:

Width: 17¼" (438 mm)
Length: 17¼" (438 mm)
Height: 31¾" (788 mm)

Temperature Range:

Capable of full operation between
0°F (-17°C) to 150°F (60°C)

Environmental Protection Rating:

Ingress Protection (IP) rating of IP-66 per CEI/IEC 60529

Product Weight:

145 lbs. (65 kg) each

Shipping Weight:

176 lbs. (80 kg) each on pallet

Optional Accessories:

SA255 Stealth Acoustic Monaural Amplifier
SA2400 Stealth Acoustic High Current
2-Channel Amplifier with DSP

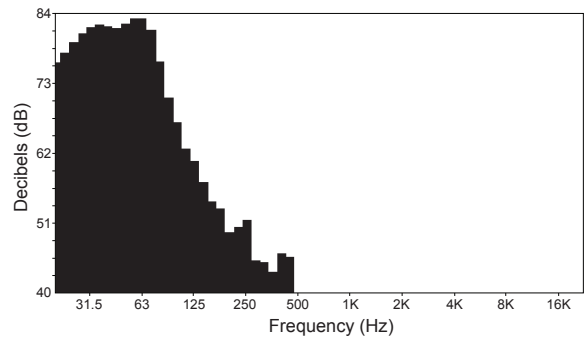


Figure 1: On-axis frequency response.