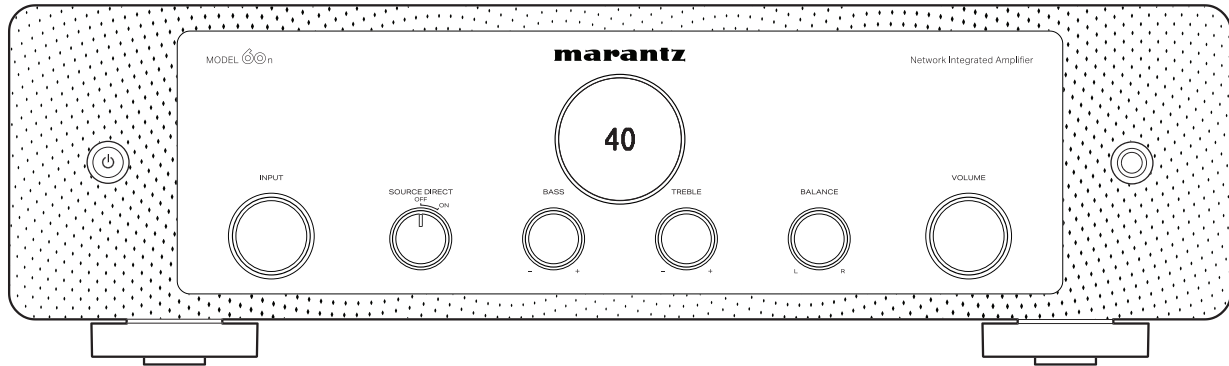


marantz



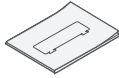
MODEL 60n | Network Integrated Amplifier

QUICK START GUIDE

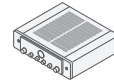
Before you begin

What's in the box

Quick Start Guide



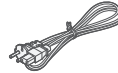
Network Integrated Amplifier



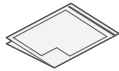
Safety Instructions



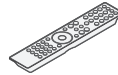
Power cord



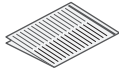
Cautions on Using Batteries



Remote control (RC006PM)



Notes on radio



2× R03/AAA batteries



External antennas for Bluetooth®/Wi-Fi® connectivity



Required for setup

Speakers



Speaker cables



Mobile device

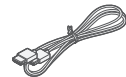


Wi-Fi router and Internet connection



Optional

HDMI® cable



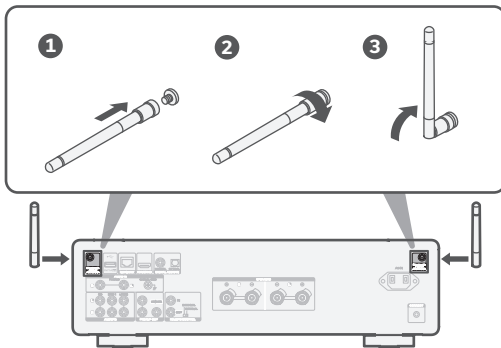
Ethernet cable



Setup

1 Connect the antennas

- 1 Place the antenna squarely over the antenna terminal in the upper-left and upper-right corner of the rear panel.
- 2 Turn the antenna clockwise until it is fully connected. Do not over tighten.
- 3 Rotate the antenna upwards for the best possible reception.

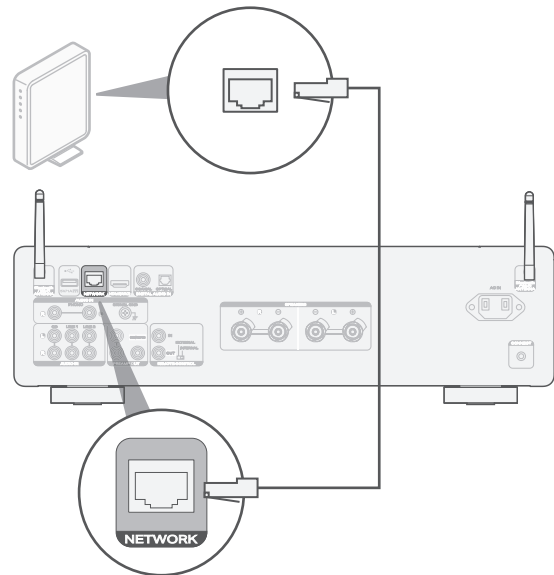


NOTE

The antennas are required for both Bluetooth and Wi-Fi functions.

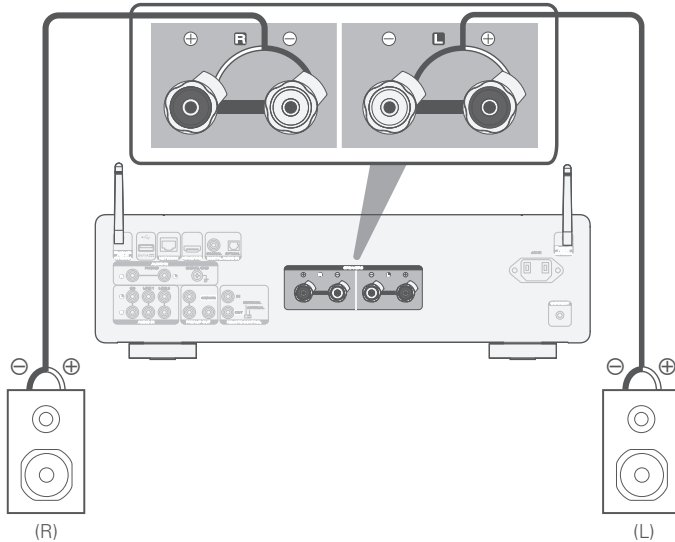
Optional

If you are connecting MODEL 60n to a wired network, connect an Ethernet cable (not included) between the amplifier and your router. Do not connect the Ethernet cable if you are connecting the amplifier to a wireless network.



2 Connect your speakers

Connect your speaker cables between the MODEL 60n and your speakers.



3 Connect TV audio (optional)

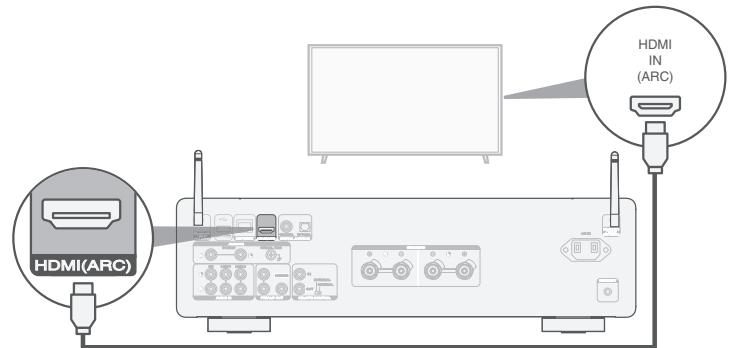
- 1 Connect one end of the HDMI cable to the TV port labeled "ARC" or "eARC".

The MODEL 60n does not support eARC functionality, however you can still connect it to an eARC port to use ARC functionality.

- 2 Connect the other end of the HDMI cable to the HDMI (ARC) port on the back of the MODEL 60n.

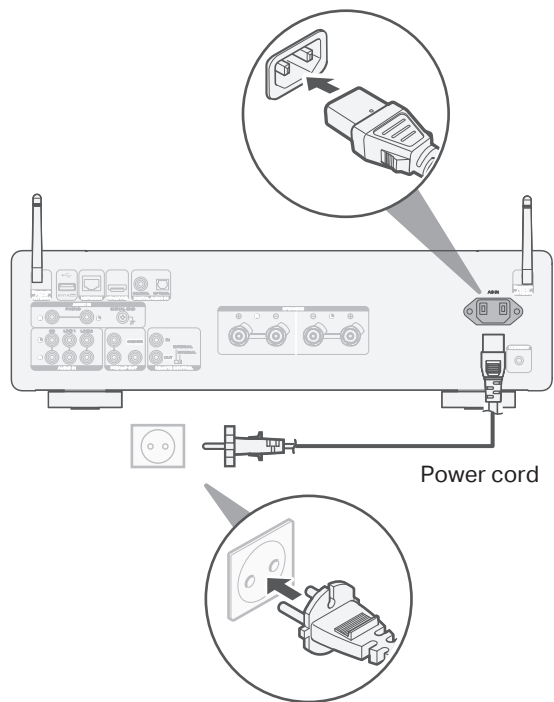
NOTE

- The TV connection is used to pass audio to the MODEL 60n from your TV's built-in sources (tuner, smart TV apps, etc.) and HDMI devices connected to your TV. The MODEL 60n does not generate any video output.
- Make sure the audio output section in your TV settings menu is set to output only 2ch PCM audio. Dolby Digital and DTS audio are not supported.

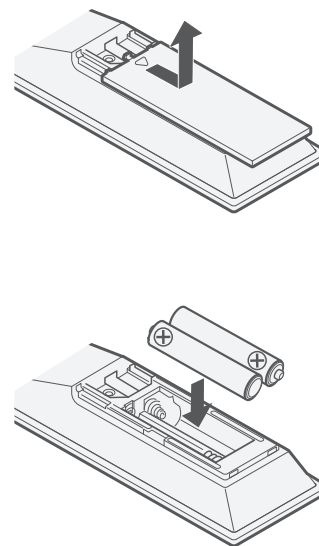


4 Connect to power

Connect the power cable between the MODEL 60n and a wall outlet.



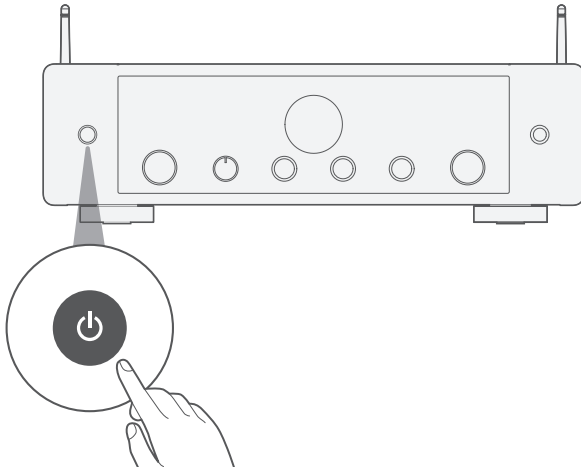
5 Install batteries in the remote control



- Batteries can be taken out in reversed order.

6 Turn the MODEL 60n on

Press the power on/standby button.



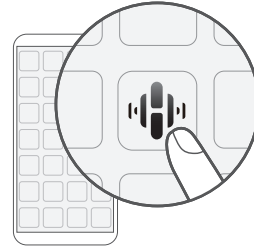
7 Use the HEOS app to complete MODEL 60n setup

First time setting up HEOS Built-in device

- 1 Go to the Apple App Store, Google Play or Amazon App Store and search for "HEOS" to download and install.




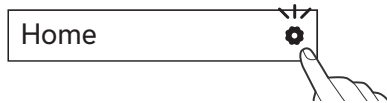
- 2 Launch the HEOS app and follow the instructions in the app.



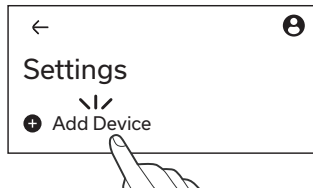
I have setup at least one HEOS built-in device on my network

If you already have the HEOS app and have setup at least one HEOS built-in device, please follow the steps below to add the MODEL 60n to your wireless network.

- 1 Select the Settings  icon in the upper-right corner of the main "Home" menu to display the Settings menu.



- 2 Select "Add Device" from the HEOS app's Settings menu and follow the instructions:

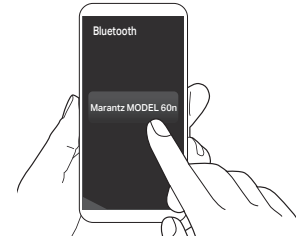


Playing music - Bluetooth

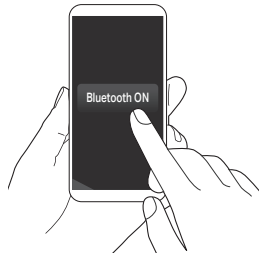
- 1 Press Bluetooth to select Bluetooth.
When you use it for the first time, the player automatically enters pairing mode.



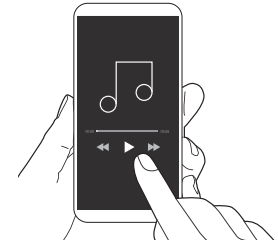
- 3 Select "Marantz MODEL60n" from the Bluetooth device list on your mobile device.



- 2 Activate Bluetooth on your mobile device.



- 4 Play music using any app on your device.



- To pair with other Bluetooth devices, press and hold Bluetooth on the remote control for at least 3 seconds.

Contact Marantz



00800-43674357

We hope you will enjoy your Marantz product for years to come. If you ever have any question or need any support, just get in touch via the free helpline. We are happy if you are happy.

In case you can't reach the helpline please check the support section on **www.marantz.com** for more information.

Owner's manual

Refer to the online manual for other functions, information and operation procedure details.

manuals.marantz.com/MODEL60n/EU/EN/



EN

DE

FR

IT

ES

NL

SV

RU

PL

Trademark information



Apple, AirPlay, iPad, iPad Air, iPad Pro, iPhone and Mac are trademarks of Apple Inc., registered in the U.S. and other countries. The trademark "iPhone" is used in Japan with a license from Aiphone K.K.

Use of the Works with Apple badge means that an accessory has been designed to work specifically with the technology identified in the badge and has been certified by the developer to meet Apple performance standards.



The Bluetooth® word mark and logos are registered trademarks owned by the Bluetooth SIG, Inc. and any use of such marks by DEI Sales, Inc. is under license. Other trademarks and trade names are those of their respective owners.



The Wi-Fi CERTIFIED logo is a registered trademark of the Wi-Fi Alliance. Wi-Fi Certification provides assurance that the device has passed the interoperability test conducted by the Wi-Fi Alliance, a group that certifies interoperability among wireless LAN devices.



The terms HDMI, HDMI High-Definition Multimedia Interface, HDMI trade dress and the HDMI Logos are trademarks or registered trademarks of HDMI Licensing Administrator, Inc.



App Store® is registered in the U.S. and other countries.



Google Play and the Google Play logo are trademarks of Google LLC.



marantz