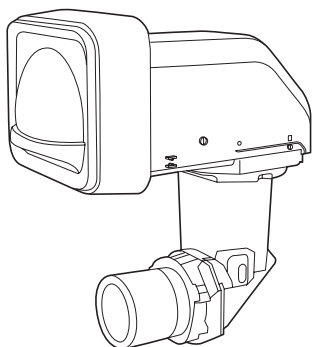


ELPLX02S

ELPLX02WS

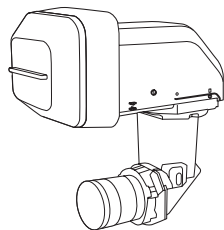


414095500

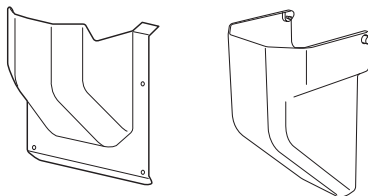
User's Guide	3	English
Guide de l'utilisateur	13	Français
Bedienungsanleitung	23	Deutsch
Manuale dell'utente	33	Italiano
Manual de usuario	43	Español
使用说明书	53	中文(简体)
使用説明書	61	中文(繁体)
取扱説明書	69	日本語
External Dimensions	86	

Included Items List

Check the following list to confirm that you have all of the supplied items. If by any chance there is anything missing or damaged, please contact your dealer.



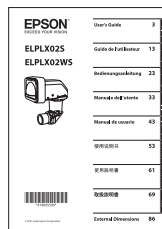
Lens unit (With lens covers (large and small))



Decorative cover (the shape of the cover to be attached depends on the projector you are using)



Attaching the Cover (separate sheet)





User's Guide (this guide)

Safety Instructions

Read this document and the User's Guide supplied with the projector carefully to use this unit safely and correctly. To allow you to solve any unknown points quickly, keep this information close to hand.

So that you can use the product safely and correctly, symbols are applied in this Guide and on the product to indicate possible harm to the user or to others and the risk of damage to property. The indications and their meaning are as follows. Make sure you understand them properly before reading the guide.

 Warning	This symbol indicates information that, if ignored, could possibly result in death or personal injury due to incorrect handling.
 Caution	This symbol indicates information that, if ignored, could possibly result in personal injury or physical damage due to incorrect handling.

Warning

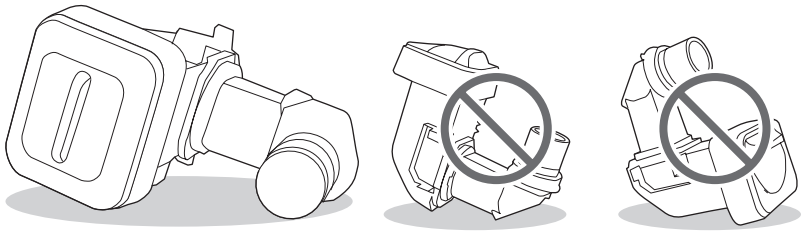
- Disconnect the power cord from the projector before attaching or removing this product. Attaching or removing while the power cord is connected could cause an electric shock.
- When attaching the product to the projector, make sure that it is securely installed and that it is locked in place. If this product is not attached correctly it may fall, resulting in personal injury or an accident.
- When removing dirt and dust from the product, do not use a spray that contains flammable gas. The high heat generated inside the projector may cause a fire.

Caution

- When projecting, remove the lens cover from the front of the lens unit.
- Before attaching the lens unit, check the projector's model number. If this lens unit is attached to a projector other than the specified projector, the lens unit or the projector could be damaged.
- Be careful not to trap your finger when attaching this product to the projector. This may cause an injury.
- Do not disassemble or remodel.
- Do not use or store the projector in places where it might be subjected to high and low extremes of temperature. Also, avoid any sudden changes in temperature.
- Do not use or store the projector in places where smoke from oil or cigarettes may be present, as it can adversely affect the quality of the projected images.
- Do not get it wet.
- Do not drop it or subject it to impacts. When putting this product down, make sure you place it on a flat, stable surface.
- When moving the projector, do not hold the lens unit and decorative cover. They may come off and the projector may fall causing an injury.
- Remove the lens unit when transporting the projector. If the projector is transported with the lens unit attached, the lens unit or the projector could be damaged.

Caution

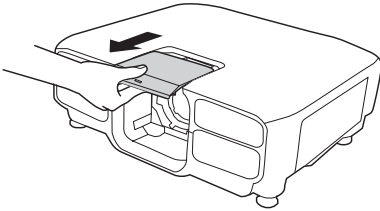
- Do not attach the lens unit when the projector's lens insertion section is facing up. Dust or dirt could enter the projector.
- Try not to touch the lens section with your hand or fingers. If fingerprints or oils are left on the surface of the lens, projection quality deteriorates.
- Do not touch or pull the connector part or the cable as this could cause a malfunction.
- When cleaning this product, do not use a wet cloth or solvents such as alcohol, benzene, or thinner as this could cause an electric shock or a malfunction.
- Attach the cover to the lens unit, and place it on its side on a stable surface. Failure to do so may cause the lens unit to fall causing a malfunction or damage.



Removing and Attaching the Lens Unit

Depending on the projector being used, procedures and illustrations may differ from the explanations. Make sure you read the User's Guide supplied with the projector.

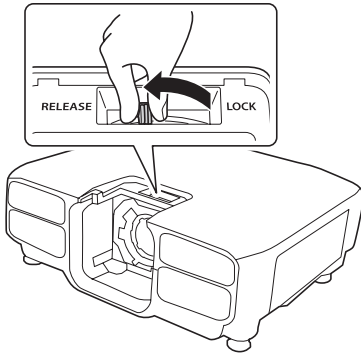
Attaching



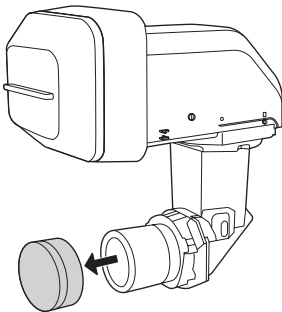
1 Remove the lens replacement cover.

Keep the lens replacement cover in a safe place.

*The shape of the lens replacement cover and how to remove it differs depending on the projector you are using. See the "User's Guide" supplied with the projector.

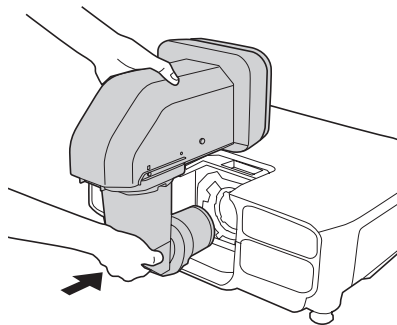


2 Hold the lock lever and turn it counterclockwise.

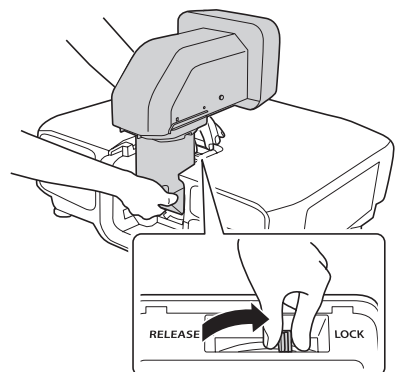


3 Remove the lens cover (small) from the lens unit.

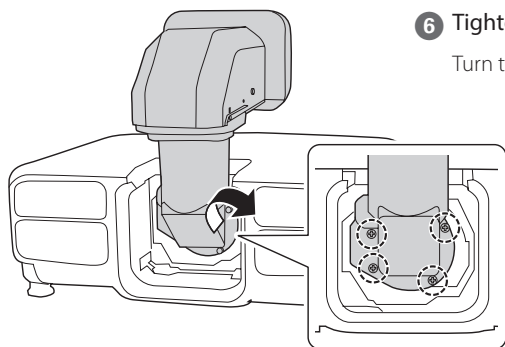
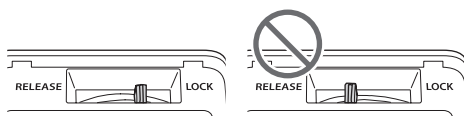
Use the cover when storing or transporting the lens unit on its own. Keep the lens cover in a safe place.



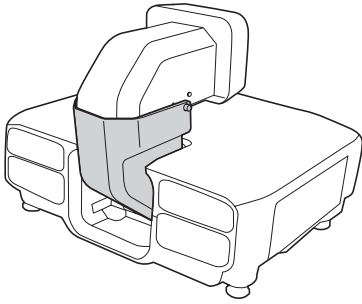
- 4** Make sure the lens unit is not at an angle, and insert it straight into the lens insertion section.



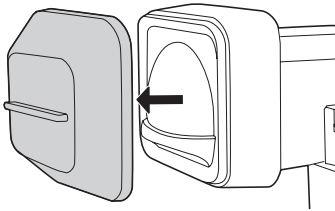
- 5** While holding the lens unit firmly, hold the lock lever and turn it clockwise to lock the lens unit. Check that the lens cannot be detached. If it cannot be locked, the lens unit is at an angle. Remove and then reinstall the lens unit.



- 6** Tighten the screws (4 points) to fix the lens unit. Turn the screws by hand.

**7 Attach the decorative cover.**

See the "Attaching the Cover" supplied.

**8 Remove the lens cover (large).**

Keep the lens cover in a safe place.

After Replacing the Lens Unit

After replacing the lens unit, calibrate the lens so that the projector can correctly acquire the lens position and adjustment range. After attaching a lens unit, a message is displayed when the projector is turned on. Select [Yes] to calibrate the lens.

Adjusting the Image

For more information on the following, see the User's Guide supplied with the projector.

- Focus adjustment
- Distortion adjustment
- Lens shift
- Keystone correction

*This product is a fixed focus lens. The zoom function is not supported.

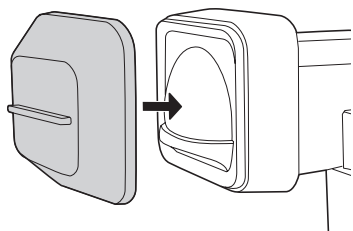
The User's Guide is available from the following Web site.
epson.sn

Visit the following Web site to find the projection distance calculator.
<http://www.epson.com/>

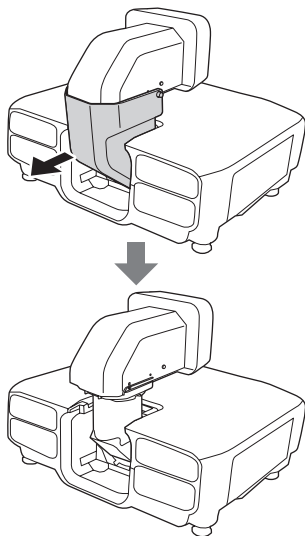
Removing

Caution

- If lens shift has been performed, move the lens position to the home position before replacing the lens unit.
- Turn off the projector and then wait for a while (approximately 30 minutes) before removing the lens unit. If you touch the lens unit during projection or immediately after turning off the projector, it could cause a burn.

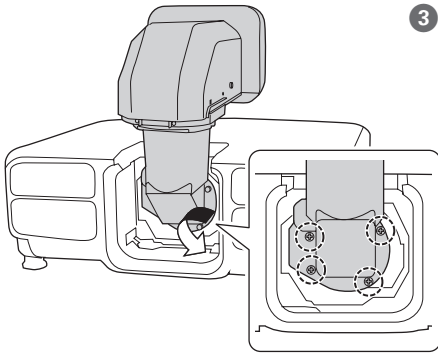


- 1 Attach the lens cover (large).

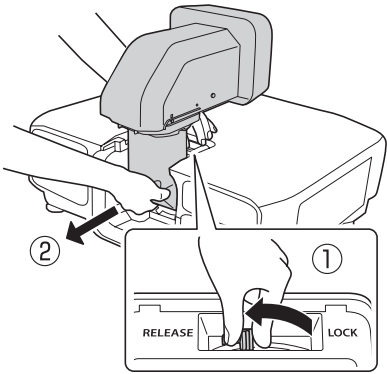


- 2 Remove the decorative cover.

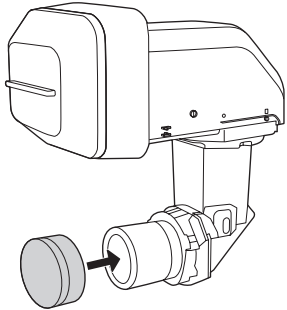
See the "Attaching the Cover" supplied.



- 3 Loosen the screws (4 points).
Turn the screws by hand.



- 4 While holding the lens unit firmly, hold the lock lever and turn it counterclockwise to unlock the lens unit.
Pull the lens unit straight out as it is released.



- 5 Attach the lens cover (small).

Specifications

Product name	ELPLX02S/ELPLX02WS
Focal length	8.0 mm
F number	1.9
Operating temperature	0 to +50°C (No condensation)
Storage temperature	-10 to +60 °C (No condensation)
Mass	Approx. 5,000 g

Contact your local dealer or the nearest address provided in the documentation supplied with the projector.

