

## Sound Bar Bracket

Installation Information	EN
Informations d'installation	FR
Información de instalación	ES
Installationsinformationen	DE
Installatie-informatie	NL
Informazioni sull'installazione	IT
Installationsinformation	SE
Informacje dotyczące instalacji	PL
Informações de instalação	PT
Oplysninger om montering	DK
Asennustiedot	FI
Installasjonsveiledning	NO
Πληροφορίες εγκατάστασης	GR
Montaj Bilgileri	TR
Szerelési információk	HU
Instalační informace	CZ
Informácie týkajúce sa montáže	SK
Informații de instalare	RO

Информация за монтаж	BG
Информация по установке	RU
Інформація про встановлення	UA
Paigaldusteave	EE
Uzstādīšanas informācija	LV
Montavimo informacija	LT
Navodila za uporabo	SI
Informacije za instalaciju	HR
Орнату ақпаратты	KZ
Informacije za montažu	SR
安裝信息	CS
安裝資訊	CT
Thông tin Lắp đặt	VN
ข้อมูลการติดตั้ง	TH
Informasi Pemasangan	ID
הוראות התקנה	HE
معلومات التركيب	AR
اطلاعات نصب	PR

# Installation Information for Using Sony Sound Bar Bracket (SU-WB1)

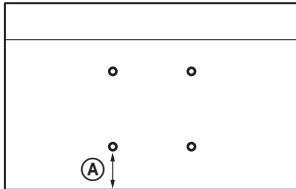
To use the SU-WB1 Sound Bar Bracket, you need to attach it to the SU-WL905 or SU-WL900 Wall-Mount Bracket, which is sold separately. Whether the SU-WB1, SU-WL905 or SU-WL900 can be attached depends on your TV's or LCD Monitor's specifications.

For more details, refer to below page:

SU-WB1: <https://www.sony.net/su-wb1-wall-mount-bracket>

SU-WL905 or SU-WL900: <https://www.sony.net/wall-mount-bracket>

- **Applicable Sound Bars:** BRAVIA Theatre BAR 9, BRAVIA Theatre BAR 8, HT-A5000 and HT-A3000.
- **Required TV or LCD Monitor specification:** The distance from the bottom edge of the TV or LCD Monitor to the lower screw for the wall mount (labelled as Ⓐ in the diagram below) should be approximately 88 mm to 155 mm.



## To Customers

For product protection and safety reasons, Sony strongly recommends that installation of your TV or LCD Monitor with Sound Bar be performed by Sony dealers or licensed contractors. Do not attempt to install it yourself.

## To Sony Dealers and Contractors

Provide full attention to safety during the installation, periodic maintenance and examination of this product.

Sufficient expertise is required for installing this product, especially to determine the strength of the wall for withstanding the TV or LCD Monitor with Sound Bar weight. Be sure to entrust the attachment of this product to the wall to Sony dealers or licensed contractors and pay adequate attention to safety during the installation. Sony is not liable for any damage or injury caused by mishandling or improper installation.

For Safety and proper installation, follow the Sound Bar Bracket Instruction Manual, TV or LCD Monitor Instruction Manual, and the directions in this manual.

## Sound Bar Bracket

### On Safety

Thank you for purchasing this product.

#### To Customers

Installing the TV or LCD Monitor with Sound Bar to the Wall



##### PROFESSIONAL INSTALLATION REQUIRED

This product should only be installed by a professional installer who is trained to determine the strength of the wall for withstanding the TV or LCD Monitor with Sound Bar weight. If it is not properly secured during installation, the TV or LCD Monitor with Sound Bar may fall and cause serious injury. Sony is not liable for any damage or injury caused by mishandling or improper installation, or installing any other than the specified product. Your Statutory Rights (if any) are not affected.

#### To Sony dealers

Sufficient expertise is required for installing this product. Be sure to read this instruction manual thoroughly to do the installation work safely. Sony is not liable for any damages or injury caused by mishandling or improper installation. Please give this manual to the customer after installation.

This instruction manual shows the correct handling of the product and important precautions necessary to prevent accidents. It is your responsibility to read, thoroughly understand, and follow all instructions in this instruction manual. Failure to do so may result in serious personal injury or property damage, and may void the warranty. Keep this manual available for future reference.

Products by Sony are designed with safety in mind. If the products are used incorrectly, however, it may result in a serious injury through fire, electric shock, the product toppling over, or the product dropping. Be sure to observe the precautions for safety to prevent such accidents.

#### To Customers

### WARNING

If the following precautions are not observed, serious injury or death through fire, electric shock, or the product dropping can result.

#### Be sure to subcontract the installation to licensed contractors and keep small children away during the installation.

If the Sound Bar Bracket or the TV or LCD Monitor is not installed correctly, the following accidents may occur. Be sure licensed contractors carry out installation.

- The TV or LCD Monitor with Sound Bar may fall and cause a serious injury such as a bruise or a fracture.
- If the wall on which the Wall-Mount Bracket with Sound Bar Bracket is installed is unstable, uneven, or not perpendicular to the floor, the unit may fall and cause injury or property damage. The wall should be capable of supporting a weight of at least four times the total weight of TV or LCD Monitor with Sound Bar. (Refer to your TV's or LCD Monitor's and Sound Bar's Instruction Manual for its weight.)
- If the installation of the Wall-Mount Bracket with Sound Bar Bracket on the wall is not sufficiently sturdy, the unit may fall and cause injury or property damage.

#### Be sure to subcontract moving or dismantling of the Sound Bar Bracket to licensed contractors.

If persons other than licensed contractors transport or dismantle the Sound Bar Bracket, it may fall and cause injury or property damage. Be sure that two or more persons carry or dismantle the Sound Bar Bracket.

#### Do not remove screws, etc., after mounting the TV or LCD Monitor.

If you do so, the TV or LCD Monitor may fall and cause injury or property damage.

#### Do not make alterations to the parts of the Sound Bar Bracket.

If you do so, the Sound Bar Bracket may fall and cause injury or property damage.

#### Do not mount any equipment other than the specified product.

This Sound Bar Bracket is designed for use with the specified product only. If you mount equipment other than specified, it may fall or break, and cause injury or property damage.

#### Do not apply any load other than the Sound Bar on the Sound Bar Bracket. Do not shake the Sound Bar left/right, up/down.

Do not put anything on the Sound Bar, the Sound Bar may fall and cause injury or property damage.

#### Do not lean on or hang from the Sound Bar.

Do not lean on or hang from the Sound Bar as it may fall on you and cause serious injury.

#### Do not swivel the TV or LCD Monitor when handling Sound Bar or Sound Bar Bracket.

If you do so, the Sound Bar Bracket may break.

#### ALWAYS keep small accessories out of the reach of children, so that they are not mistakenly swallowed.

### CAUTION

If the following precautions are not observed, injury or property damage may occur.

- Be careful to not pinch your fingers while handling the Sound Bar Bracket.
- Be sure to store the unused parts in a safe place for future use. Keep them away from children.

#### Do not handle the product with excessive force during cleaning or maintenance.

Do not apply excessive force on the Sound Bar. If you do so, the Sound Bar may fall and cause injury or property damage.

#### Do not place this product close to medical devices.

This product (including accessories) has magnet(s) which may interfere with pacemakers, programmable shunt valves for hydrocephalus treatment, or other medical devices. Do not place this product close to persons who use such medical devices. Consult your doctor before using this product if you use any such medical device.

#### Keep out of the reach of children or the supervised individuals.

This product (including accessories) has magnet(s). Swallowing magnet(s) could cause serious harm, such as choking hazard or intestinal injuries. If magnets (or a magnet) were swallowed, consult a doctor immediately.

## Precautions

- Do not use the Sound Bar Bracket in a place where it is subjected to mechanical vibrations.

## Installing the Sound Bar Bracket

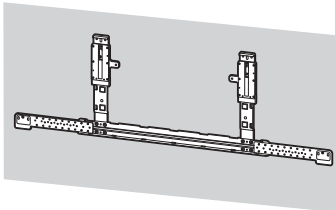
To Sony Dealers

### WARNING

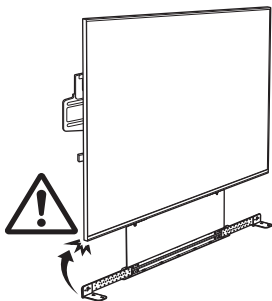
The following instructions are for Sony dealers only. Be sure to read safety precautions described above and pay special attention to safety during the installation, maintenance and checking of this product.

**Be sure to install the Sound Bar Bracket securely to the Wall-Mount Bracket following the instructions in this instruction manual.**

If any of the screws are loose or fall out, the Sound Bar Bracket may fall and cause injury or property damage.



**Be sure to avoid any damage to the corner of TV or LCD Monitor when you install Sound Bar Bracket. Be sure to exercise caution to prevent hitting your head or body on the corner of the TV or LCD Monitor during assembly.**

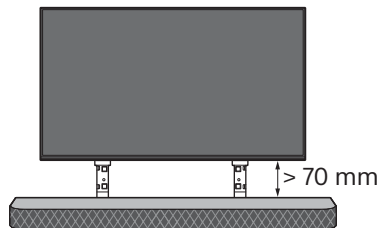


**Be sure to use the supplied screws and attachment parts properly following the instructions given in this instruction manual. If you use substitute items, the Sound Bar may fall and cause bodily injury to someone or damage to the Sound Bar.**

**Be sure to assemble the Sound Bar Bracket properly following the instructed procedure explained in this instruction manual.**

If any of the screws are loose or fall out, the Sound Bar may fall and cause bodily injury to someone or damage to the Sound Bar.

**Be sure to keep a distance between TV or LCD Monitor and Sound Bar as shown below:**



**Be sure to tighten the screws securely in the designated position.**

If you fail to do so, the Sound Bar may fall and cause bodily injury to someone or damage to the Sound Bar.

**Be careful not to subject the Sound Bar to shock during installation.**

If the Sound Bar is exposed to shock, it may fall or break apart. This may cause injury.

**After proper installation of the Sound Bar, secure the cables properly.**

If people or objects get tangled with cables, this may result in injury or damage to the Sound Bar.

**Do not allow the AC power cord or the connecting cable to be pinched.**

If the AC power cord or the connecting cable is pinched between the unit and the wall or is bent or twisted by force, the internal conductors may become exposed and cause a short circuit or an electrical shock. This may cause a fire or an electric shock.



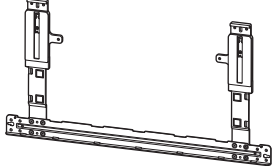
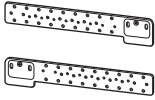
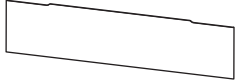

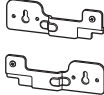
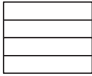



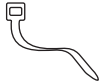


## Before Getting Started

- The TV or LCD Monitor with Sound Bar illustrations shown in this manual are examples used to provide clear explanations of the operations. For this reason, the illustrations may appear different from your actual TV or LCD Monitor with Sound Bar.



### Checking the Parts

#### Supplied with SU-WB1

- Verify that all the parts are included.

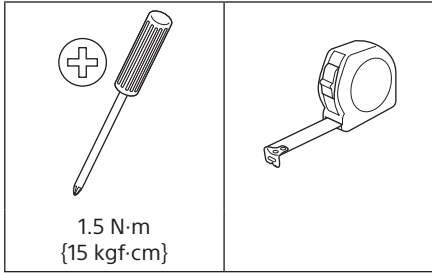
<b>SB1</b> 	<b>SB2</b> 	<b>SB3</b> 
<b>SB4</b> 	<b>SB5</b> 	<b>SB6</b> (x4) 
<b>M4A</b> (x18) 	<b>M4B</b> (x2) 	<b>M5</b> (x8) 
<b>WT2</b> (x15) 	<b>WC1</b> (x10) 	<b>WC2</b> (x1) 

#### Supplied with the Sound Bar (HT-A9000 / A8000 only)

(x2) 	(x2) 
---	---

## Preparing for Installation

- Have the Sound Bar Bracket Safety Information and Sound Bar Bracket Installation Guide at hand before installation.
- Prepare the following tools:



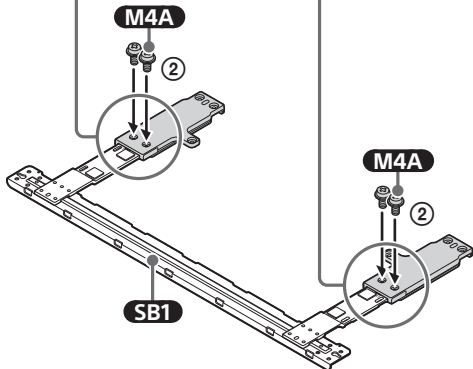
# Installing the Sound Bar Bracket to the Wall-Mount Bracket

1 Set the length of **SB1**.  
Refer to the table.

①

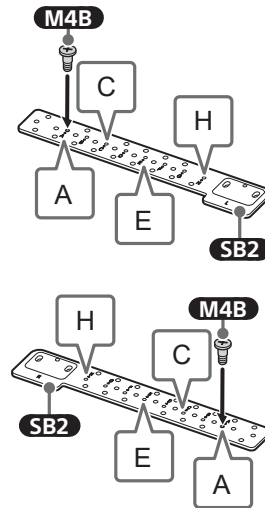
(A) \ (B)	~35	35 ~ 50	55 ~ 60	55 ~ 65	65~
85 ~ 95	8	8	8	7	6
95 ~ 105	8	8	7	6	5
105 ~ 115	8	7	6	5	4
115 ~ 125	7	6	5	4	3
125 ~ 135	6	5	4	3	2
135 ~ 145	5	4	3	2	1
145 ~ 155	4	3	2	1	0

(mm)



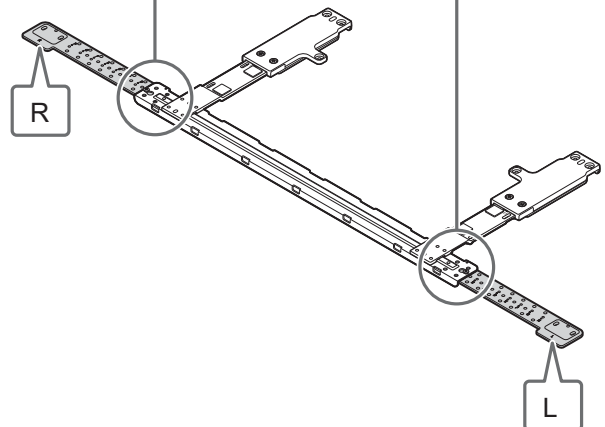
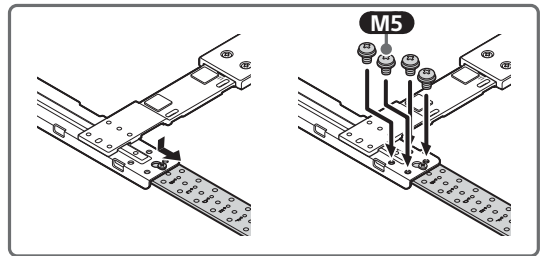
2 Set the length of **SB2**.  
Attach the screws **M4B**  
according to the table.  
Attach **SB2** to **SB1** using  
**M5**.

①



HT-A9000	A
HT-A8000	E
HT-A5000	C
HT-A3000	H

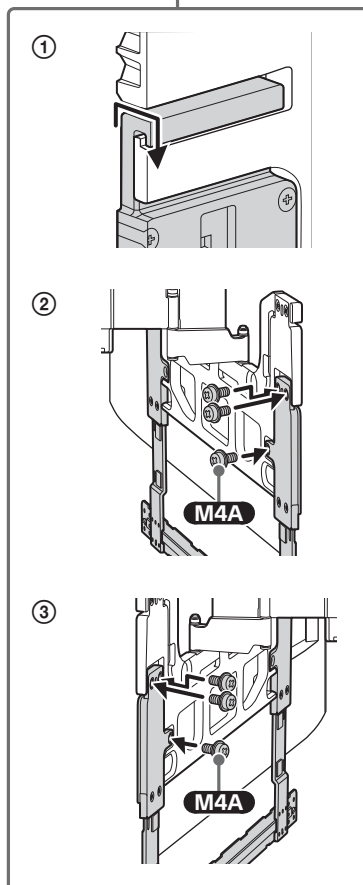
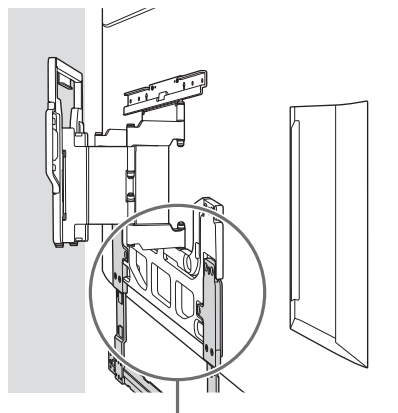
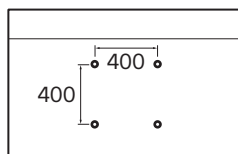
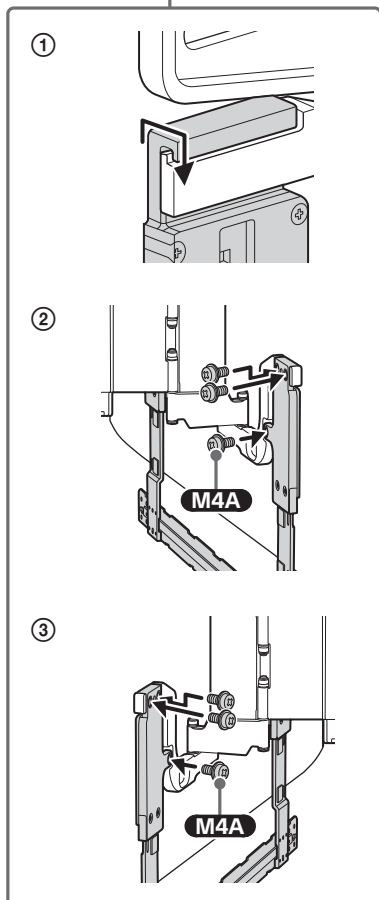
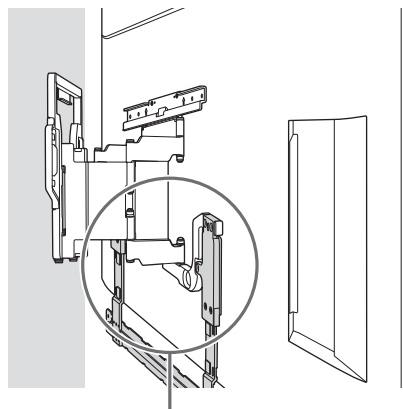
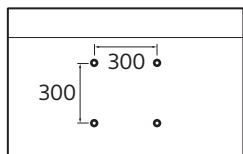
②



**Note**

- Be sure to insert the end of **SB2** into the slot of **SB1**.
- Adjust the position required for your Sound Bar before fixing the screws.

### 3 Attach **SB1** to the Wall-Mount Bracket.

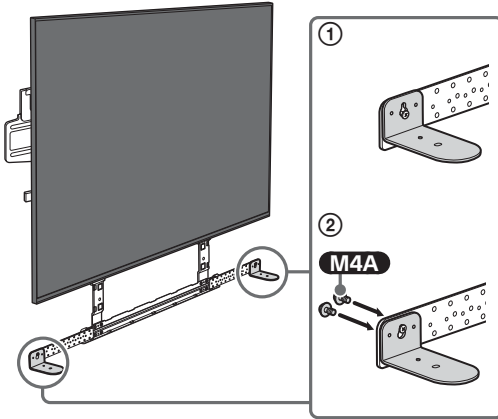


**Note**

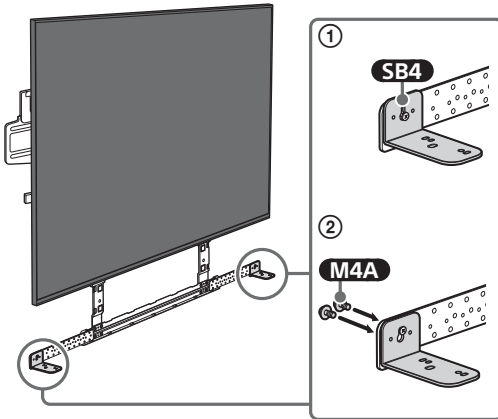
- Be sure to insert the end of **SB1** into the slot of the Wall-Mount Bracket.



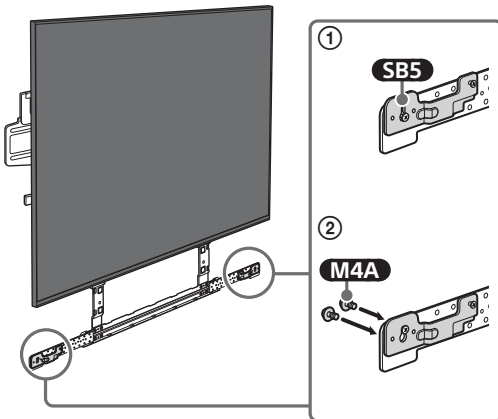
- 4** HT-A9000 / A8000 only  
Use the Wall Mounting Bracket supplied with HT-A9000 / A8000.



HT-A5000 only  
Attach **SB4**.

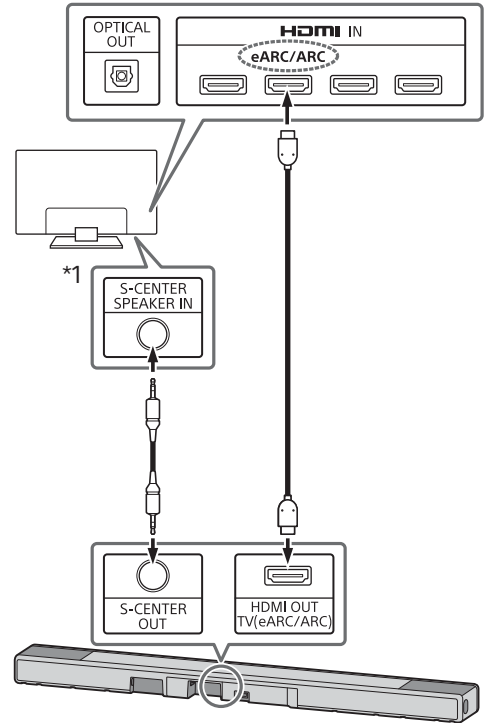


HT-A3000 only  
Attach **SB5**.



## Installing the Sound Bar on the Wall

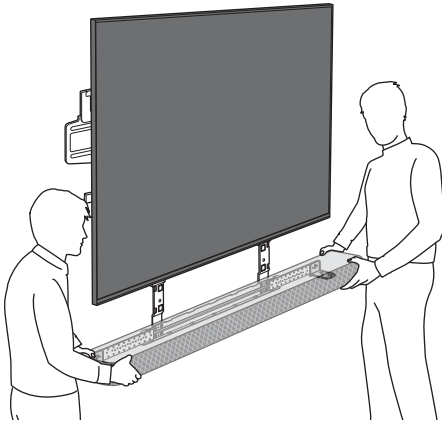
- 1** Connect the cables from the TV or LCD Monitor to the Sound Bar.



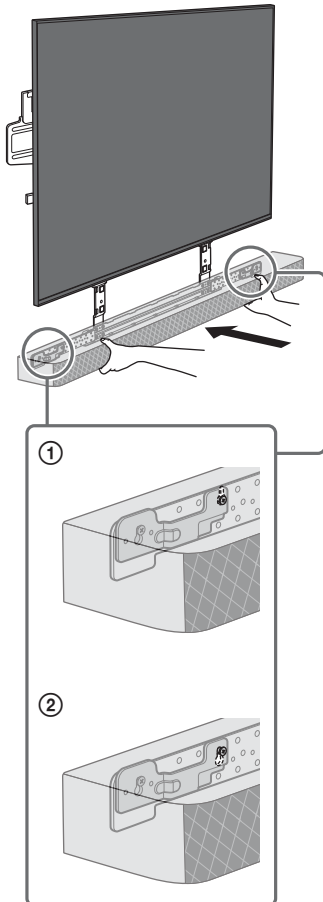
\*1 Only for limited region/country/model.

## 2 Attach the Sound Bar to the Sound Bar Bracket.

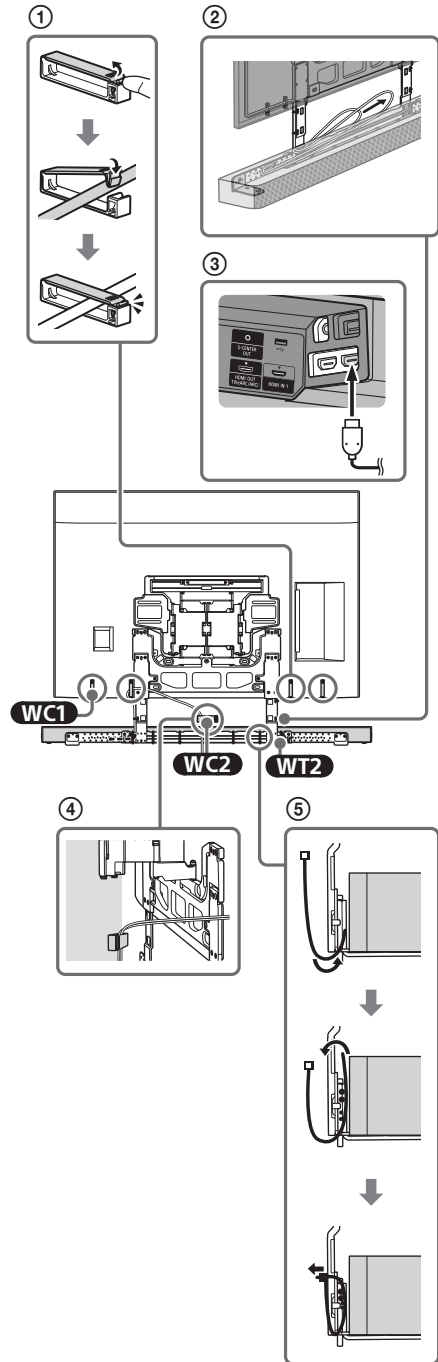
HT-A9000 / A8000 / A5000 only



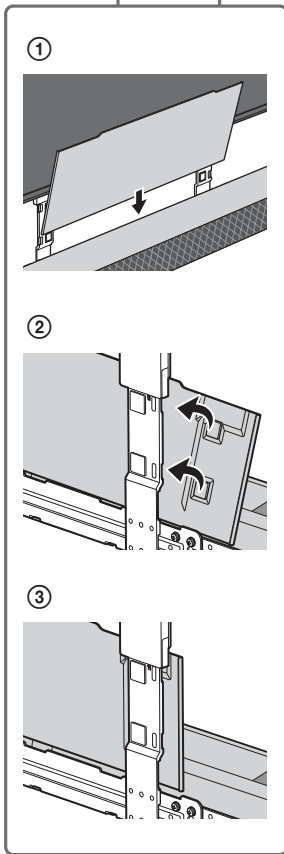
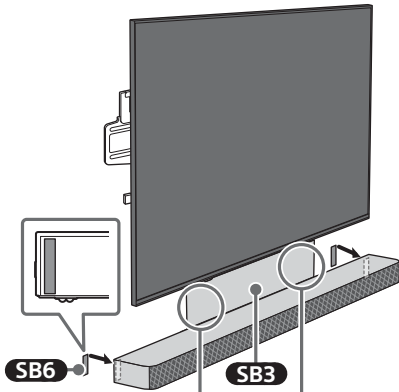
HT-A3000 only



## 3 Route the cables for the TV or LCD Monitor and Sound Bar.

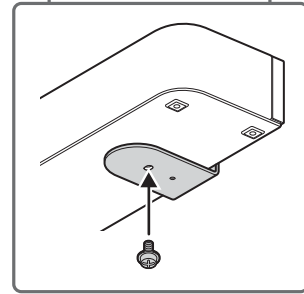
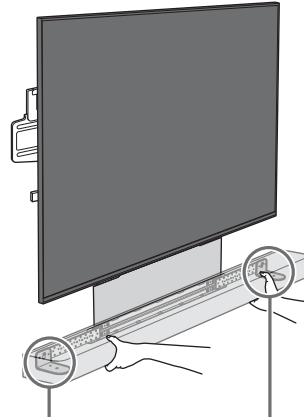


#### 4 Attach **SB6** and **SB3**.



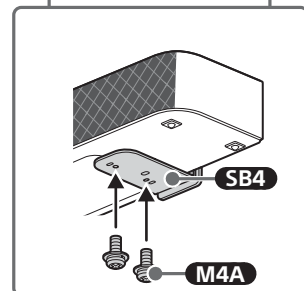
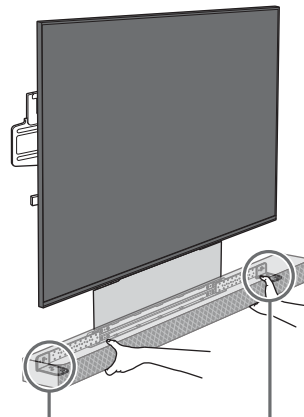
#### 5 Secure the Sound Bar.

HT-A9000 / A8000 only

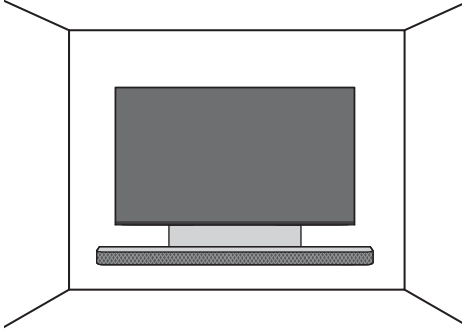


- Use screws supplied with HT-A9000 / A8000.

HT-A5000 only



6



---

## Confirming the Completion of the Installation

Check the following points.

- The cord and the cable are not twisted or pinched.

### **WARNING**

- Improper placement of the AC power cord (mains lead), etc. may cause fire or electric shock through a short circuit. Be sure to confirm the completion of the installation for safety.

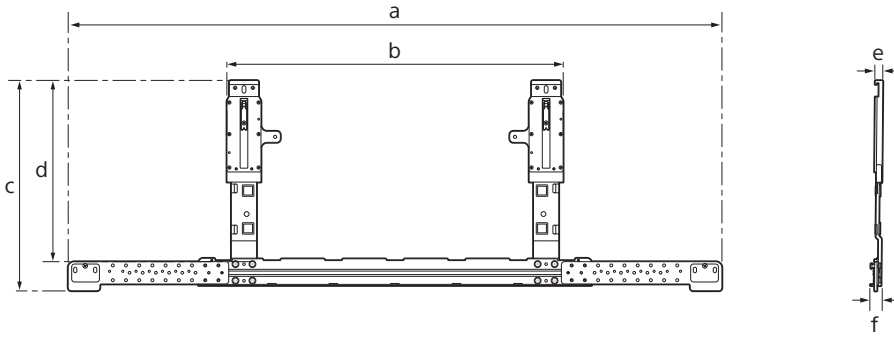
## Other Information

When removing the Sound Bar, reverse the previous installation procedure.

### **WARNING**

- Two or more persons are needed to transport a Sound Bar.

# Specifications



## Dimension: (Approx.) [mm]

- a : 1 114
- b : 565
- c : 358.5
- d : 309
- e : 13
- f : 18

## Mass (base only): (Approx.) [kg]

2.9

Design and specifications are subject to change without notice.